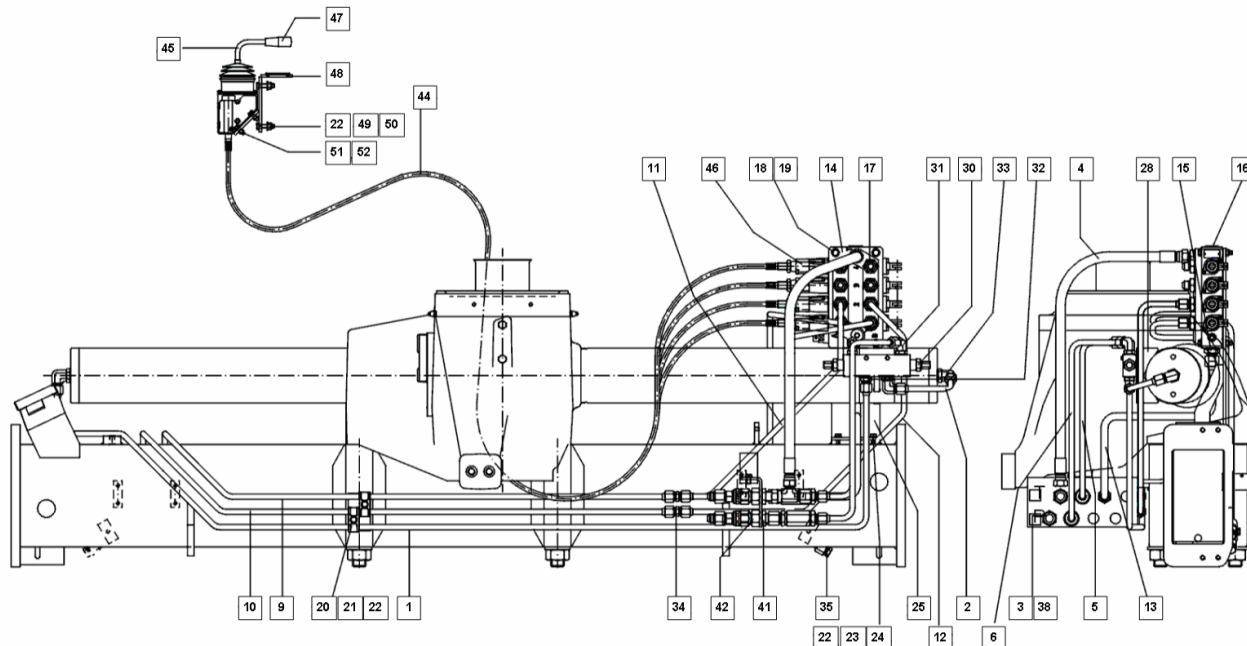


**Model:102/112**  
**Chapter 2 Base**

**8154333**

**Pipe kit base (B2/C4) (Page 1/2)**

8154333 - Pipe kit base (B2/C4) (Page 1/2)



815-4333C  
 Page 1/2

[See Page 2](#)

Pos	Part No	Description	Quantity
1	8144117	HYDR. PIPE	1
2	8144125	HYDR. PIPE	1
3	9816607	L-COUPLING	1
4	9837493	HP-HOSE	1
5	8154261	HYDR.PIPE	1
6	8154279	HYDRAULIC PIPEING	1
9	4483677	HYDR.PIPE	1
10	8138290	HYDR. PIPE	1
11	8138362	HYDR. PIPE	1
12	8154457	HYDR. PIPE	1
13	8154449	HYDR. PIPE	1
14	3940136	CONTROL VALVE	1
15	9991662	COUPLING	2
16	3900665	PLUG	1
17	9998438	COUPLING	8
18	9924132	SCREW	3
19	9965823	LOCKING NUT	3
20	3184765	CLAMP	4
21	9900438	SCREW	4
22	9903861	WASHER	7
23	9906878	SCREW	4
24	9904131	SPRING WASHER	2
25	8135673	MOUNTING PLATE	1
28	8133514	CONSOLE	1
30	8145237	(DOUBLE) LOAD HOLDING VAL'	1
31	9819291	ANGLE COUPLING	3
32	9819223	COUPLING	1
33	9821449	ANGLE COUPLING	2
34	9819231	NIPPLE	2
35	9808078	PLUG	4
41	9816623	NUT	5
42	3575969	NIPPLE	5
44	8956448	CONTROL CABLE	4
45	8175063	CONTROL ROD	4
46	8956456	SPOOL CONTROL	4
47	9809945	KNOB	4
48	8166161	BRACKET	1
49	9924060	SCREW	3
50	9965823	LOCKING NUT	3

Pipe Kit base (B2/C4) (Page 1/2) - 8154333

---

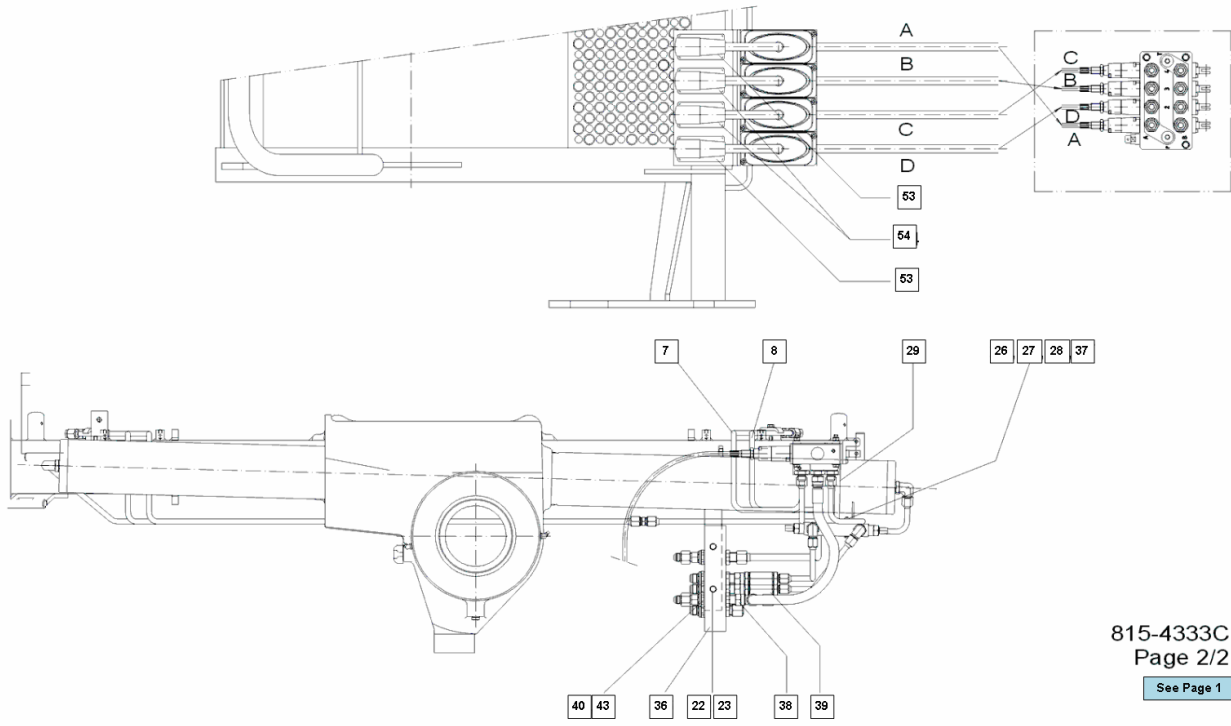
<b>51</b>	9907939	SCREW	16
<b>52</b>	9929410	LOCKING NUT	16

---

**Model:102/112**  
**Chapter 2 Pipe kit base (B2/C4) (Page 1/2)**

**8154333-2**  
**Pipe kit base (B2/C4) (Page 2/2)**

8154333-2 - Pipe kit base (B2/C4) (Page 2/2)



Pos	Part No	Description	Quantity
7	8154350	HYDR. PIPE	1
8	8138346	HYDR. PIPE	1
22	9903861	WASHER M8	7
23	9906878	SCREW	4
26	9908544	SCREW	2
27	9929410	LOCKING NUT	2
28	8133514	CONSOLE	1
29	8146632	HOSECLAMP 130-150/12	1
36	8154287	MOUNTING PLATE	1
37	9903844	WASHER	2
38	9985425	NUT	1
39	8154295	THROTTLE VALVE	1
40	9819681	SWIVEL	5
43	9818375	O-RING	5
53	3596109	SYMBOL SIGN	2
54	3596117	SYMBOL SIGN	2

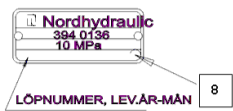
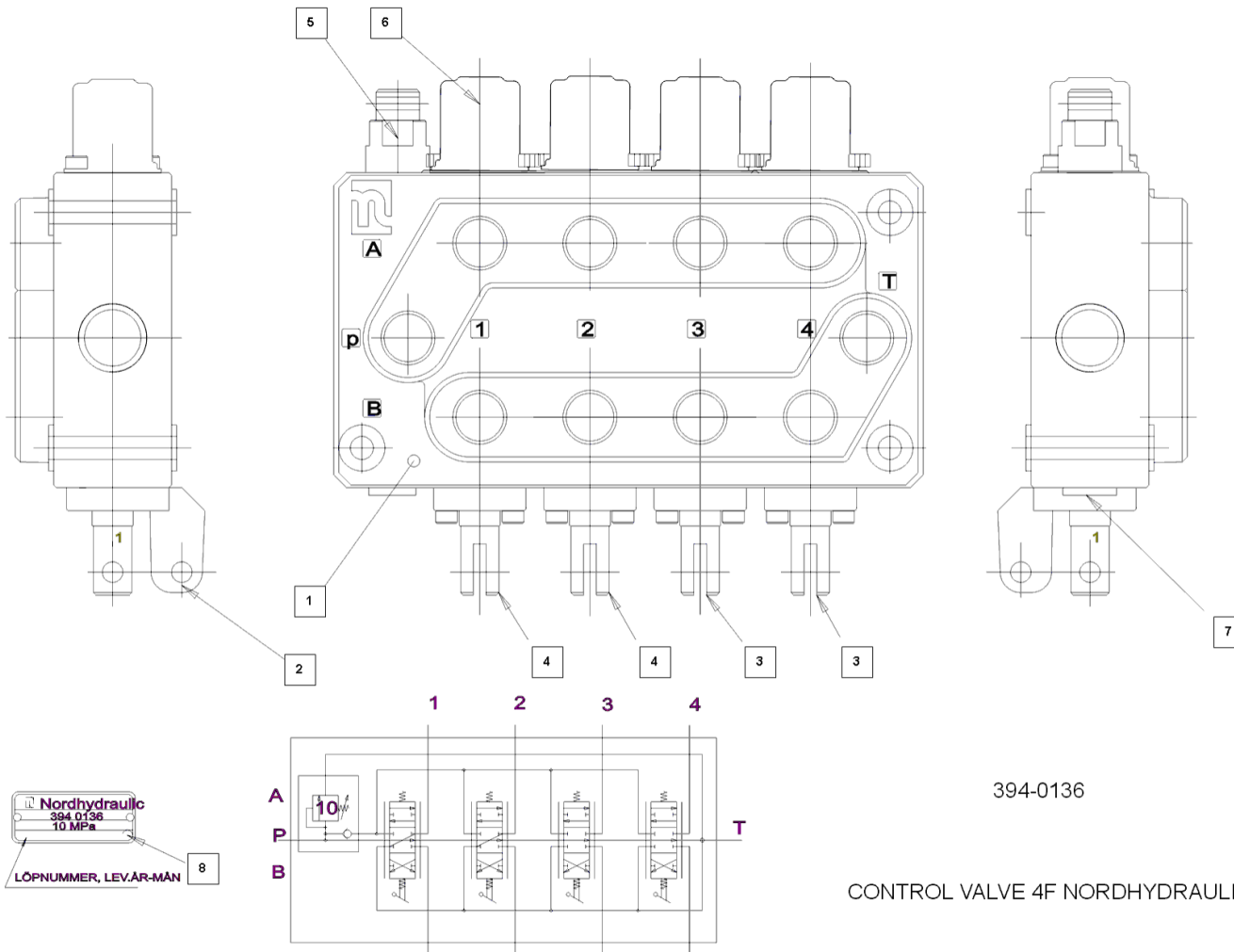
Pipe kit base (B2/C4) (Page 2/2) - 8154333-2

**Model:102/112**  
**Chapter 2 Pipe kit base (B2/C4) (Page 1/2)**

**3940136**  
**Control valve (4F)**

3940136 - Control valve (4F)

Pos	Part No	Description	Quantity
1	3941965	VALVE HOUSING	1
2	3910890	BRACKET	4
3	3940829	SPOOL	2
4	3941426	SPOOL	2
5	3942660	RELIEF VALVE	1
6	3943291	SPOOL CONTROL	4
7	3940837	CHECK VALVE	1
8	3941957	SIGN	1



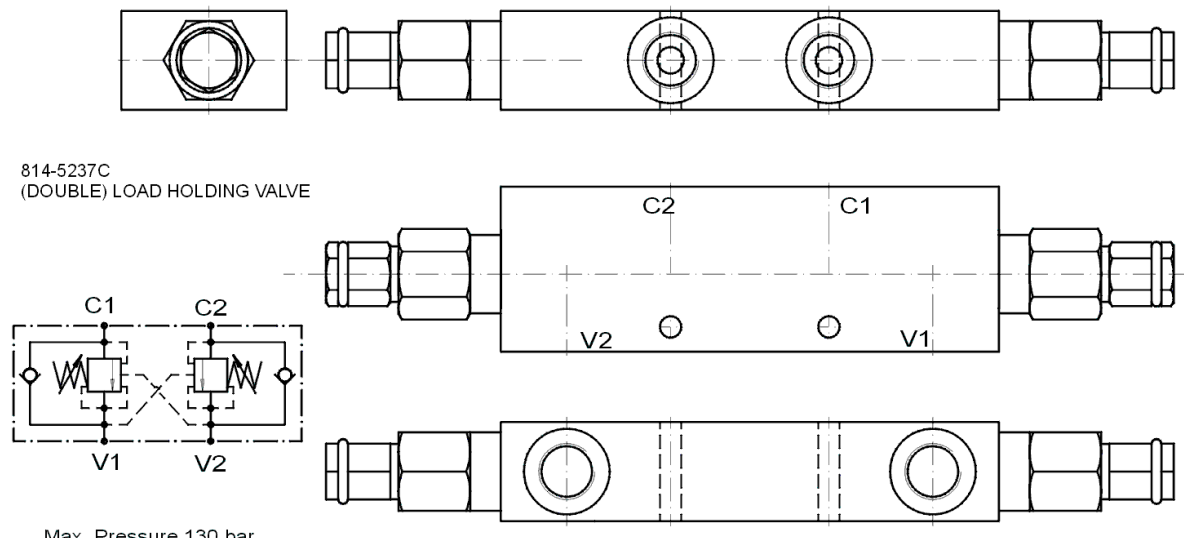
Control valve (4F) - 3940136

**Model:102/112**  
**Chapter 2 Pipe kit base (B2/C4) (Page 1/2)**

**8145237**  
**(Double) Load holding valve**

8145237 - (Double) Load holding valve			
Pos	Part No	Description	Quantity

0	1834711	GENERAL ARRANGEMENT DR/	0
---	---------	-------------------------	---



(Double) Load holding valve - 8145237