

unidirectional pump - series XV

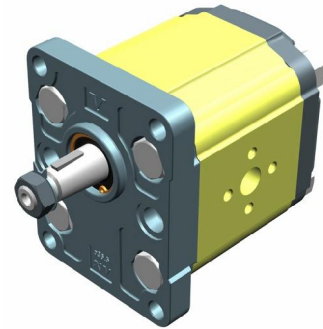
XV-2P

STANDARD EUROPEAN PUMP
 ø36.5 FLANGE - TAPER SHAFT



X 2 P 51 02 E P O A

| | | |
|--------------|-----|---|
| Series | X | series XV |
| Group | 2 | group 2 |
| Category | P | unidirectional pump |
| Displacement | 51 | 17 |
| Flange | 02 | Ø36.5 STANDARD EUROPEAN right rotation |
| Shaft | E | CO001 - Tapered 1:8 - ø17.4 - M12x1.5 - key thk.4 |
| Body | IN | P inlet - Ø40 Ø20 M8 |
| | OUT | O outlet - Ø30 Ø13.5 M6 |
| Cover | A | standard |



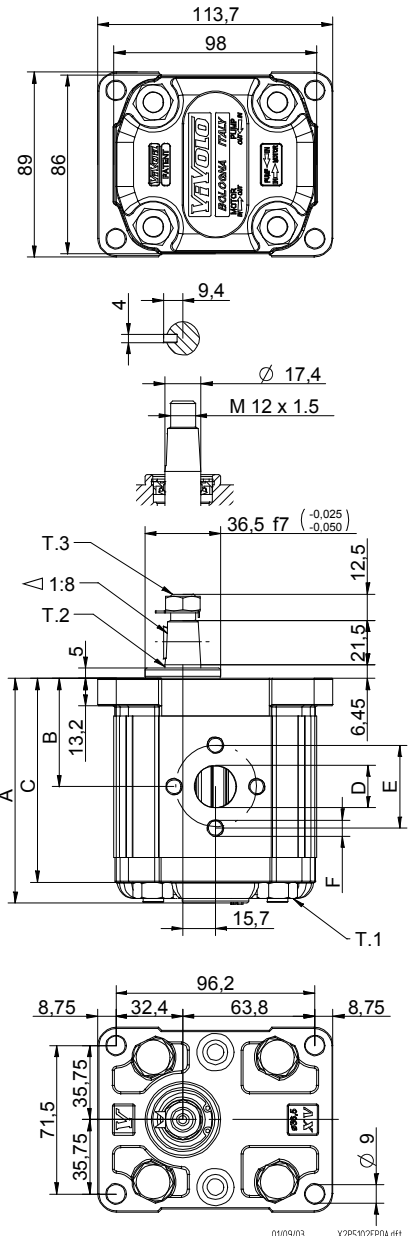
Reference **XP201**

| Technical data table | | | | | | |
|----------------------|--------------------------------------|---------------|--------|---------------------|---------------------|----------------|
| TYPE | Displacement cm ³ /rev | Max. Pressure | | CODE | | |
| | | P1 bar | P3 bar | Left rotation | | Right rotation |
| XV-2P/04 | 4,20 | 260 | 300 | X 2 P 41 01 E O O A | X 2 P 41 02 E O O A | |
| XV-2P/06 | 6,00 | 260 | 300 | X 2 P 43 01 E O O A | X 2 P 43 02 E O O A | |
| XV-2P/09 | 8,40 | 260 | 300 | X 2 P 45 01 E O O A | X 2 P 45 02 E O O A | |
| XV-2P/11 | 10,80 | 260 | 300 | X 2 P 47 01 E O O A | X 2 P 47 02 E O O A | |
| XV-2P/14 | 14,40 | 250 | 290 | X 2 P 49 01 E P O A | X 2 P 49 02 E P O A | |
| XV-2P/17 | 16,80 | 230 | 270 | X 2 P 51 01 E P O A | X 2 P 51 02 E P O A | |
| XV-2P/19 | 19,20 | 210 | 250 | X 2 P 53 01 E P O A | X 2 P 53 02 E P O A | |
| XV-2P/22 | 22,80 | 200 | 240 | X 2 P 55 01 E P O A | X 2 P 55 02 E P O A | |
| XV-2P/26 | 26,20 | 170 | 210 | X 2 P 57 01 E Q P A | X 2 P 57 02 E Q P A | |
| XV-2P/30 | 30,00 | 160 | 200 | X 2 P 59 01 E Q P A | X 2 P 59 02 E Q P A | |
| XV-2P/34 | 34,20 | 150 | 190 | X 2 P 61 01 E Q P A | X 2 P 61 02 E Q P A | |
| XV-2P/40 | 39,60 | 140 | 180 | X 2 P 63 01 E Q P A | X 2 P 63 02 E Q P A | |

P1) Max. working pressure - P3) Max. peak pressure

For heavy-duty applications, it is recommended to check the admissible torque of the shaft

| Dimensions table | | | | | | | | | | |
|------------------|--------------|-------|------|-------|-------|----|---------|-------|----|---------|
| TYPE | Weight kg | A | B | C | D | E | F | D | E | F |
| | | mm | mm | mm | IN | | | OUT | | |
| XV-2P/04 | 2,200 | 87,2 | 41,7 | 77,2 | ø13,5 | 30 | M6x1 | ø13,5 | 30 | M6x1 |
| XV-2P/06 | 2,300 | 90,2 | 43,2 | 80,2 | ø13,5 | 30 | M6x1 | ø13,5 | 30 | M6x1 |
| XV-2P/09 | 2,400 | 94,2 | 45,2 | 84,2 | ø13,5 | 30 | M6x1 | ø13,5 | 30 | M6x1 |
| XV-2P/11 | 2,500 | 98,2 | 47,2 | 88,2 | ø13,5 | 30 | M6x1 | ø13,5 | 30 | M6x1 |
| XV-2P/14 | 2,700 | 104,2 | 50,2 | 94,2 | ø20 | 40 | M8X1,25 | ø13,5 | 30 | M6x1 |
| XV-2P/17 | 2,800 | 108,2 | 52,2 | 98,2 | ø20 | 40 | M8X1,25 | ø13,5 | 30 | M6x1 |
| XV-2P/19 | 2,900 | 112,2 | 54,2 | 102,2 | ø20 | 40 | M8X1,25 | ø13,5 | 30 | M6x1 |
| XV-2P/22 | 3,050 | 118,2 | 57,2 | 108,2 | ø20 | 40 | M8X1,25 | ø13,5 | 30 | M6x1 |
| XV-2P/26 | 3,150 | 122,2 | 59,2 | 112,2 | ø23,5 | 40 | M8X1,25 | ø20 | 40 | M8X1,25 |
| XV-2P/30 | 3,400 | 130,2 | 63,2 | 120,2 | ø23,5 | 40 | M8X1,25 | ø20 | 40 | M8X1,25 |
| XV-2P/34 | 3,600 | 137,2 | 66,7 | 127,2 | ø23,5 | 40 | M8X1,25 | ø20 | 40 | M8X1,25 |
| XV-2P/40 | 3,800 | 146,2 | 71,2 | 136,2 | ø23,5 | 40 | M8X1,25 | ø20 | 40 | M8X1,25 |



T.1 = 54+58.9 [Nm] - screw tightening torque M10

T.2 = 233.2 [Nm] - admissible shaft torque (N.B. When choosing a shaft, always check the admissible torque).