

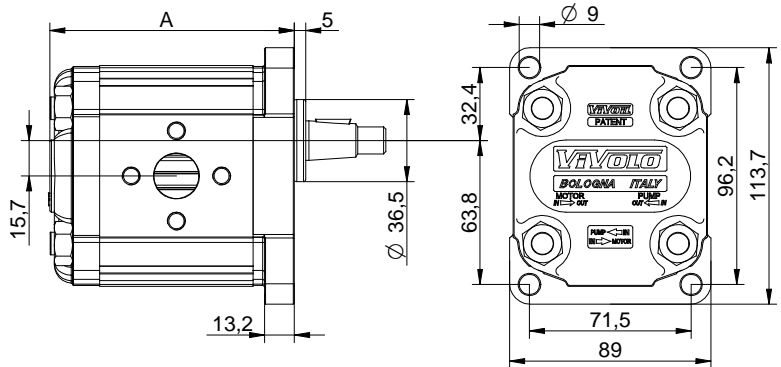
Table of variations

These two pages provide an overview of all the possible variations for customising a pump with a ø36.5 flange.

By filling in the missing data you can obtain the complete code of the product to be customised.



Series	X	series XV
Group	2	group 2
Category	P	unidirectional pump
Displacement		
Flange		
Shaft		
Body	IN OUT	
Cover		



ø36.5 FLANGE				Shaft			
Left rotation	Code	Right rotation	Code		Code		Code
	01		02	CI001 - Parallel  T.2 = 44.1 [Nm]	A	CI002 - Parallel  T.2 = 67.5 [Nm]	B
 OUT ø 12	03	 OUT ø 12	04	CO001 - Tapered  T.2 = 233.2 [Nm]	E	CO002 - Tapered  T.2 = 233.2 [Nm]	F
 IN ø 12	05	 IN ø 12	06	SCF02 - Splined  T.2 = 86.1 [Nm]	G	SCF03 - Splined  T.2 = 86.1 [Nm]	H
 OUT ø 12    IN ø 12	07	 IN ø 12    OUT ø 12	08	SCF04 - Splined  T.2 = 67.1 [Nm]	I	SCF01 - Splined  T.2 = 86.2 [Nm]	L

Table of variations

Displacement		
TYPE	CODE	A
		mm
XV-2P/09	45	94,2
XV-2P/11	47	98,2
XV-2P/14	49	104,2
XV-2P/17	51	108,2
XV-2P/19	53	112,2
XV-2P/22	55	118,2
XV-2P/26	57	122,2
XV-2P/30	59	130,2
XV-2P/34	61	137,2
XV-2P/40	63	146,2
XV-2P/04	41	87,2
XV-2P/06	43	90,2

Standard bodies						
Displacement	Standard threads					
cm3/rev						
04	O - O	S - R	B - B	L - M	Z - Z	
06	O - O	S - R	B - B	L - M	Z - Z	
09	O - O	S - R	B - B	L - M	Z - Z	
11	O - O	S - R	B - B	L - M	Z - Z	
14	P - O	S - R	C - B	L - M	Z - Z	
17	P - O	S - R	C - B	L - M	Z - Z	
19	P - O	S - R	C - B	L - M	Z - Z	
22	P - O	S - R	C - B	L - M	Z - Z	
26	Q - P	S - R	D - C	L - M	Z - Z	
30	Q - P	S - S	D - C	L - M	Z - Z	
34	Q - P	S - S	D - C	L - M	Z - Z	
40	Q - P	S - S	D - C	L - M	Z - Z	

Table showing standard flange and thread combinations available in stock

Body (threads/flanges)							
	A		B		C		D
	E		F		G		H
	I		L		M		N
	O		P		Q		R
	S		T		U		V
Closed Body	Z						

Cover		
Left rotation	Right rotation	Code
		A
		B
		C
		D
		N
		O

# unidirectional pump - series XV

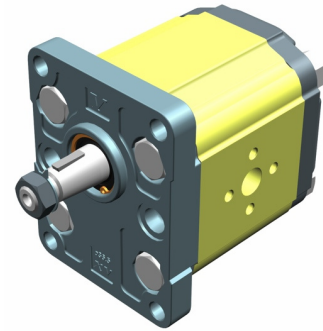
**XV-2P**

STANDARD EUROPEAN PUMP  
 ø36.5 FLANGE - TAPER SHAFT



**X 2 P 51 02 E P O A**

Series	X	series XV
Group	2	group 2
Category	P	unidirectional pump
Displacement	51	17
Flange	02	Ø36.5 STANDARD EUROPEAN right rotation
Shaft	E	CO001 - Tapered 1:8 - ø17.4 - M12x1.5 - key thk.4
Body	IN	P inlet - Ø40 Ø20 M8
	OUT	O outlet - Ø30 Ø13.5 M6
Cover	A	standard



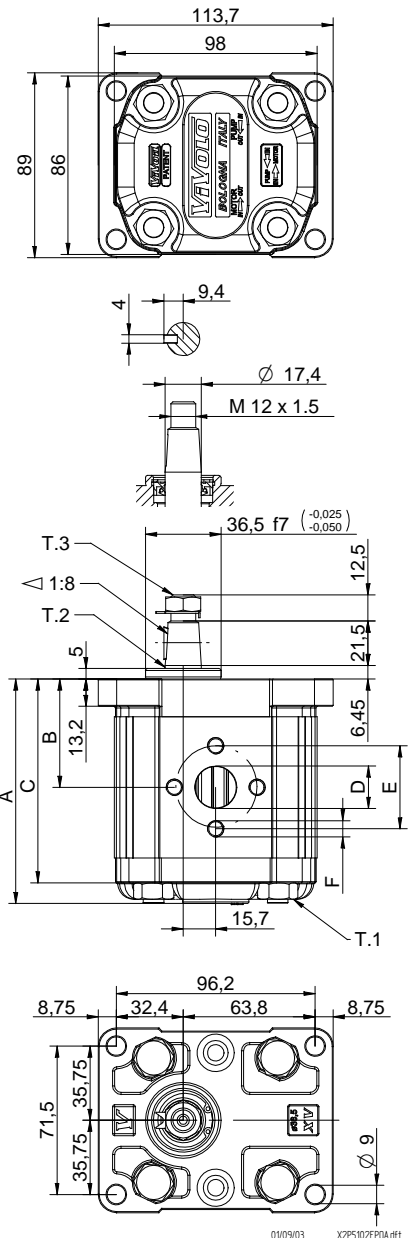
Reference **XP201**

Technical data table						
TYPE	Displacement cm3/rev	Max. Pressure		CODE		
		P1 bar	P3 bar	Left rotation		Right rotation
XV-2P/04	4,20	260	300	X 2 P 41 01 E O O A	X 2 P 41 02 E O O A	
XV-2P/06	6,00	260	300	X 2 P 43 01 E O O A	X 2 P 43 02 E O O A	
XV-2P/09	8,40	260	300	X 2 P 45 01 E O O A	X 2 P 45 02 E O O A	
XV-2P/11	10,80	260	300	X 2 P 47 01 E O O A	X 2 P 47 02 E O O A	
XV-2P/14	14,40	250	290	X 2 P 49 01 E P O A	X 2 P 49 02 E P O A	
XV-2P/17	16,80	230	270	X 2 P 51 01 E P O A	X 2 P 51 02 E P O A	
XV-2P/19	19,20	210	250	X 2 P 53 01 E P O A	X 2 P 53 02 E P O A	
XV-2P/22	22,80	200	240	X 2 P 55 01 E P O A	X 2 P 55 02 E P O A	
XV-2P/26	26,20	170	210	X 2 P 57 01 E Q P A	X 2 P 57 02 E Q P A	
XV-2P/30	30,00	160	200	X 2 P 59 01 E Q P A	X 2 P 59 02 E Q P A	
XV-2P/34	34,20	150	190	X 2 P 61 01 E Q P A	X 2 P 61 02 E Q P A	
XV-2P/40	39,60	140	180	X 2 P 63 01 E Q P A	X 2 P 63 02 E Q P A	

P1) Max. working pressure - P3) Max. peak pressure

For heavy-duty applications, it is recommended to check the admissible torque of the shaft

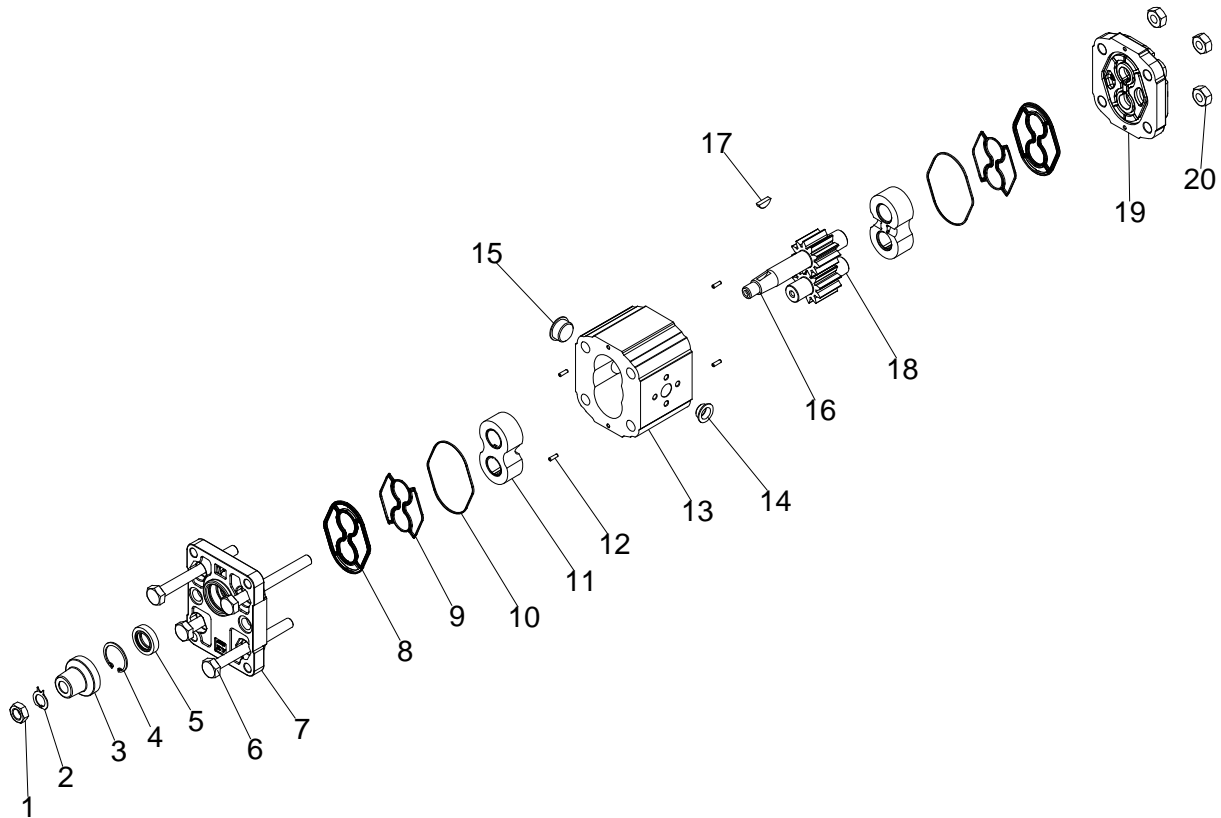
Dimensions table										
TYPE	Weight kg	A	B	C	D	E	F	D	E	F
		mm	mm	mm	IN			OUT		
XV-2P/04	2,200	87,2	41,7	77,2	ø13,5	30	M6x1	ø13,5	30	M6x1
XV-2P/06	2,300	90,2	43,2	80,2	ø13,5	30	M6x1	ø13,5	30	M6x1
XV-2P/09	2,400	94,2	45,2	84,2	ø13,5	30	M6x1	ø13,5	30	M6x1
XV-2P/11	2,500	98,2	47,2	88,2	ø13,5	30	M6x1	ø13,5	30	M6x1
XV-2P/14	2,700	104,2	50,2	94,2	ø20	40	M8X1,25	ø13,5	30	M6x1
XV-2P/17	2,800	108,2	52,2	98,2	ø20	40	M8X1,25	ø13,5	30	M6x1
XV-2P/19	2,900	112,2	54,2	102,2	ø20	40	M8X1,25	ø13,5	30	M6x1
XV-2P/22	3,050	118,2	57,2	108,2	ø20	40	M8X1,25	ø13,5	30	M6x1
XV-2P/26	3,150	122,2	59,2	112,2	ø23,5	40	M8X1,25	ø20	40	M8X1,25
XV-2P/30	3,400	130,2	63,2	120,2	ø23,5	40	M8X1,25	ø20	40	M8X1,25
XV-2P/34	3,600	137,2	66,7	127,2	ø23,5	40	M8X1,25	ø20	40	M8X1,25
XV-2P/40	3,800	146,2	71,2	136,2	ø23,5	40	M8X1,25	ø20	40	M8X1,25



T.1 = 54÷58.9 [Nm] - screw tightening torque M10

T.2 = 233.2 [Nm] - admissible shaft torque (N.B. When choosing a shaft, always check the admissible torque).

Example of ordering code:

**X2P5102EPOA** XV2P/17 - Ø36.5 /D - CO001 - Ø40 M8 - Ø30 M6 - .

**Basic list**

Pos.	Item description	Item	Size	Quantity
1	NUT M12x1,5 H=7 CH.17	200.0157.A	0	1
2	TAB WASHER ø12,5xø19 - CO001-CO002 XV2	200.0150.A	0	1
3	KEY PROTECTION XV2	590.0010.A	0	1
4	ø29 INTERNAL SNAP RING DIN 472	560.0020.A	0	1
5	OIL SEAL 17.46 x 28.58 x 5.8/6.3 TCV (BAB SL)	690.0030.A	0	1
6	WHITE GALVANISED SCREW TE M10x100 UNI 5737 8.8	531.0010.A	L100	4
7	XV2 ø36,5 FLANGE	200.0238.A	0	1
8	INJECTION-MOLDED SEAL XV2 (NBR 70÷75 SH)	200.0190.C	0	2
9	XV2 BACK-UP ELEMENT FOR BALANCING	200.0191.A	0	2
10	EXTERNAL BACK-UP ELEMENT XV2	200.0194.A	0	2
11	KV2P BUSH H=20	200.0012.A	0	2
12	PIN ø3x9,8	570.0005.A	0	4
13	STANDARD CROSS FLANGED BODY - cc=17	200.0006.A	H68	1
14	PLASTIC PLUG ø14	580.0001.A	D14	1
15	PLASTIC PLUG ø20	580.0001.A	D20	1
16	CO001 - TAPERED 1÷8 DRIVING GEAR	200.0009.A	CC17	1
17	WOODRUFF KEY ø16x4 H=6,5	200.0141.A	0	1
18	COND2 - PERFORATED DRIVEN GEAR	200.0010.A	CC17	1
19	STANDARD XV2 COVER	200.0237.A	0	1
20	WHITE GALVANISED NUT M10 H=10 UNI 5587	540.0005.A	0	4