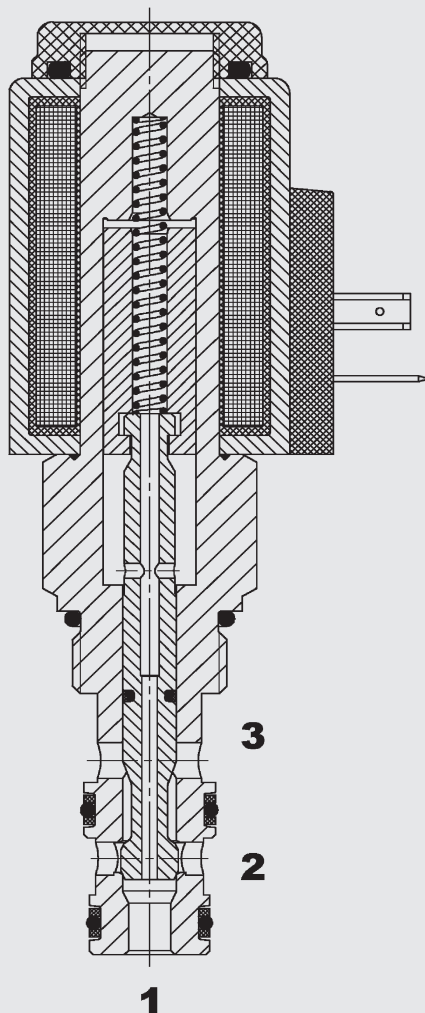


Up to 22 l/min
Up to 350 bar

FUNCTION



When de-energized, there is free flow through the valve from port 2 to 3. Port 1 is closed.

When energized, there is free flow through the valve from port 1 to 2. Port 3 is closed.

3/2 Solenoid Directional Valve Poppet Type, Direct-Acting Metric Cartridge – 350 bar

WSM08130C-01

FEATURES

- External surfaces zinc-plated and corrosion-proof
- Hardened and ground internal valve components to ensure minimal wear and extended service life
- Coil seals protect the solenoid system
- Wide variety of connectors available
- Excellent switching performance by high power HYDAC solenoid

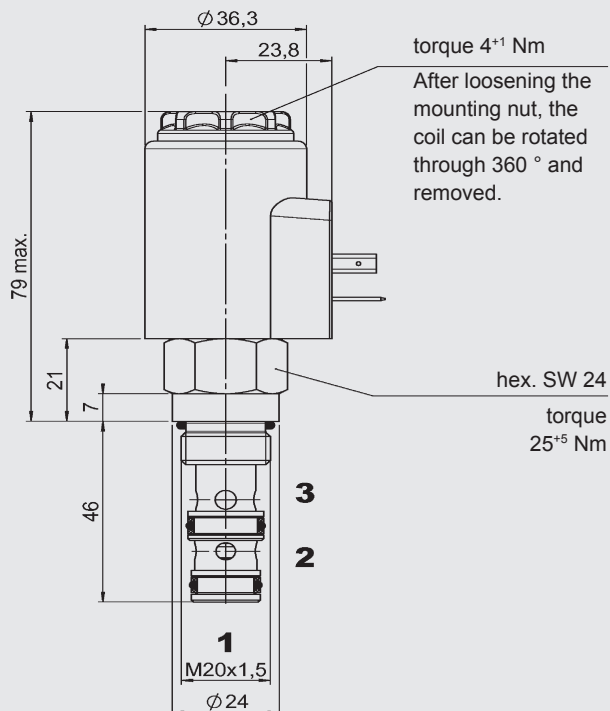
SPECIFICATIONS

Operating pressure:	max. 350 bar	
Nominal flow:	max. 22 l/min	
Internal leakage:	Leakage-free (max. 5 drops = 0,25 cm ³ /min at 350 bar)	
Media operating temperature range:	min. -20 °C to max. +100 °C	
Ambient temperature range:	min. -20 °C to max. +60 °C	
Operating fluid:	Hydraulic oil to DIN 51524 Part 1 and 2	
Viscosity range:	min. 7.4 mm ² /s to max. 420 mm ² /s	
Filtration:	Class 21/19/16 according to ISO 4406 or cleaner	
MTTF _d :	150 years (see "Conditions and instructions for valves" in brochure 5.300)	
Installation:	No orientation restrictions	
Material:	Valve body:	free-cutting steel
	Poppet:	hardened and ground steel
Seals:	NBR (standard) FKM (optional, media temperature range -20 °C to +120 °C)	
	Back-up rings:	PTFE
Coil:	steel / polyamide	
Cavity:	08130 metric	
Weight:	Valve complete:	0.49 kg
	Coil only:	0.23 kg

Electrical data:

Response time:	Energized:	approx. 30 ms
	De-energized:	approx. 20 ms
Type of voltage:	DC solenoid, AC voltage is rectified using a bridge rectifier built into the coil	
Current draw at 20 °C:	2.22 A at 12 V DC	
	1.13 A at 24 V DC	
Voltage tolerance:	± 15 % of nominal voltage	
Coil duty rating:	Continuous up to max. 115% of the nominal voltage at max. 60° C ambient temperature	
	Coil...-50-1836	

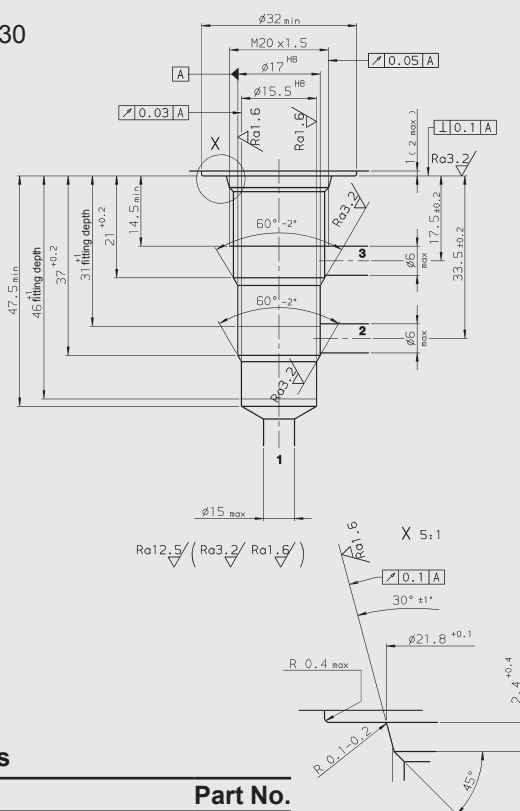
DIMENSIONS



millimeter
subject to technical modifications

CAVITY

Metric 08130



Form tools

Tool	Part No.
Countersink (shank MK3)	169265
Reamer (shank MK2)	163639

millimeter
subject to technical modifications

MODEL CODE

WSM08130C - 01 - C - N - 24 DG

Basic model _____
Directional poppet valve, metric

Type _____
01 = standard

Body and ports* _____
C = cartridge only

Seals _____
N = NBR (standard)
V = FKM (optional)

Coil voltage _____

DC voltages

12 = 12 V DC

24 = 24 V DC

AC voltages (bridge rectifier built into the coil)

115 = 115 V AC

230 = 230 V AC

Other voltages on request

Coil connectors (type 50-1836) _____

DC: DG = DIN connector to EN 175301-803

DK = KOSTAL threaded connection M27x1

DL = 2 flying leads, 457 mm long, 0.75 mm²

DN = Deutsch connector, 2-pole, axial

DT = AMP Junior Timer, 2-pole, radial

AC: AG = DIN connector to EN 175301-803

Other connectors on request

Standard models

Model code	Part No.
WSM08130C-01-C-N-12DG	3374096
WSM08130C-01-C-N-24DG	3374097
WSM08130C-01-C-N-230AG	3374098

Other bodies on request

*Standard in-line bodies

Code	Part No.	Material	Ports	Pressure
R08130-01X-01	394488	Steel, zinc-plated	G 3/8	420 bar
R08130-01X-02	394378	Steel, zinc-plated	M14 x 1.5	420 bar

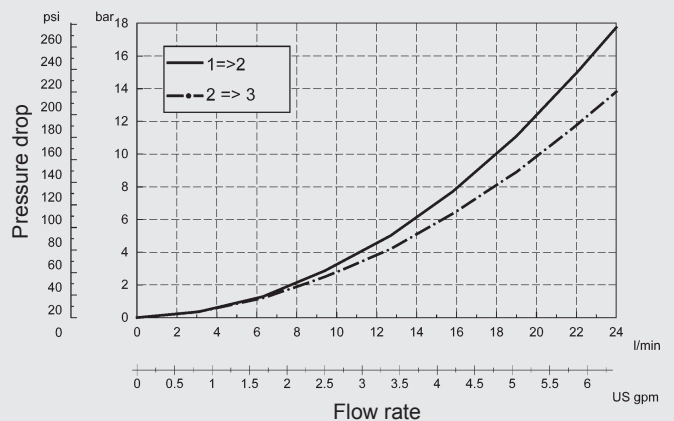
Other bodies on request

Seal kits

Code	Part No.
SEAL KIT 08130-NBR	3164596
SEAL KIT 08130-FKM	3183746

PERFORMANCE

Measured at $v = 33 \text{ mm}^2/\text{s}$, $T_{\text{oil}} = 46 \text{ }^\circ\text{C}$



NOTE

The information in this brochure relates to the operating conditions and applications described. For applications or operating conditions not described, please contact the relevant technical department.
Subject to technical modifications.

HYDAC Fluidtechnik GmbH

Justus-von-Liebig-Str.

D-66280 Sulzbach/Saar

Tel: 0 68 97 /509-01

Fax: 0 68 97 /509-598

E-Mail: flutec@hydac.com