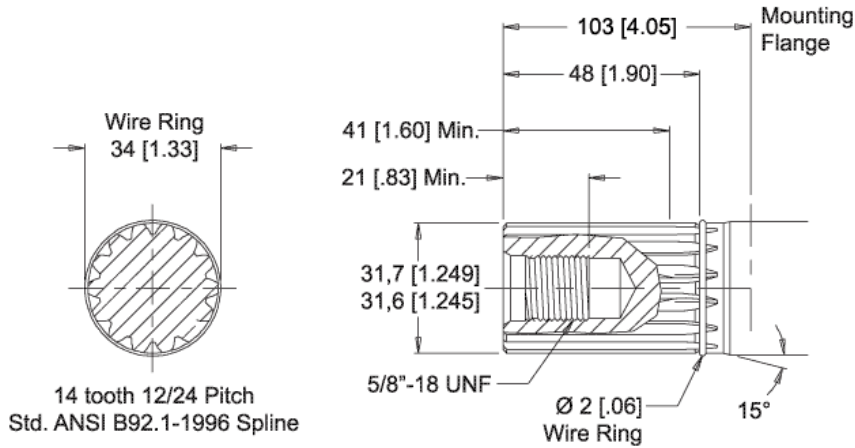
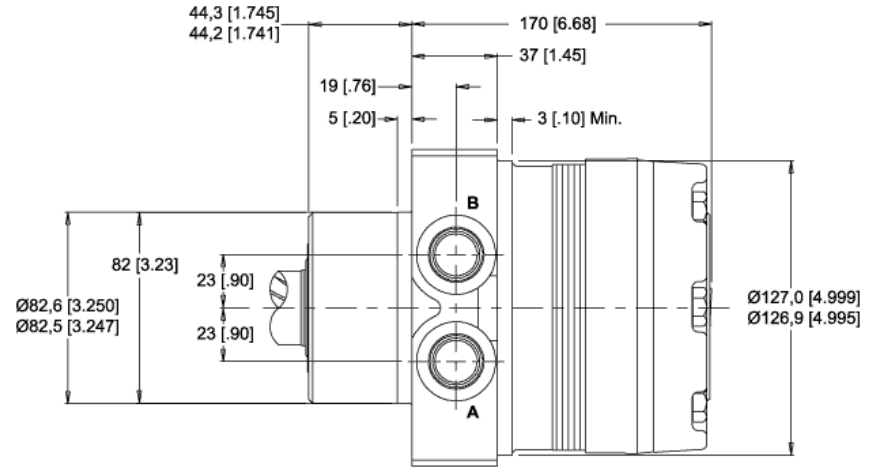
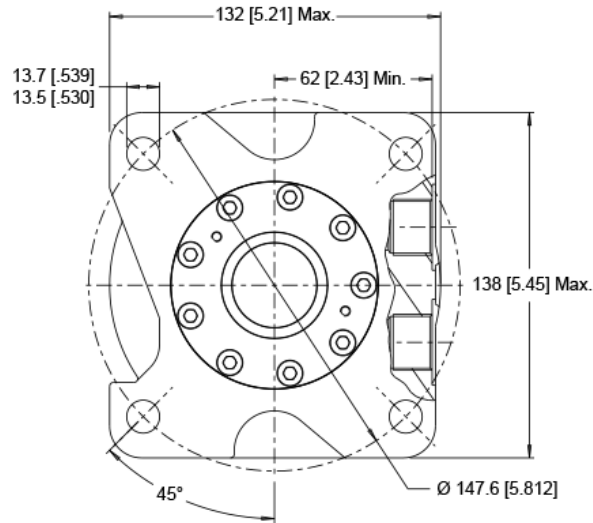


MODEL NO.
505750W3823AAAAA



INFORMATION CONTAINED IN THIS DOCUMENT IS FOR REFERENCE ONLY AND VALID FOR 10 DAYS UNLESS SPECIFIED OTHERWISE. DIMENSIONS SHOWN ARE NOMINAL (MID-LIMIT). PLEASE CONTACT DANFOSS FOR DIMENSIONS NEEDED FOR DESIGN PURPOSES.

Danfoss

DATE:
08/28/2019

DRAFT COPY

ISSUED BY:
ONLINE CAD MODELS

NOT FOR PRODUCTION USE

ISSUED TO:
CYRIL VOISIN

DANFOSS POWER SOLUTIONS
PO BOX 2700 · HOPKINSVILLE, KY 42240
PHONE: 270.885.1110 · FAX: 270.886.8462

MODEL NO.
505750W3823AAAAA