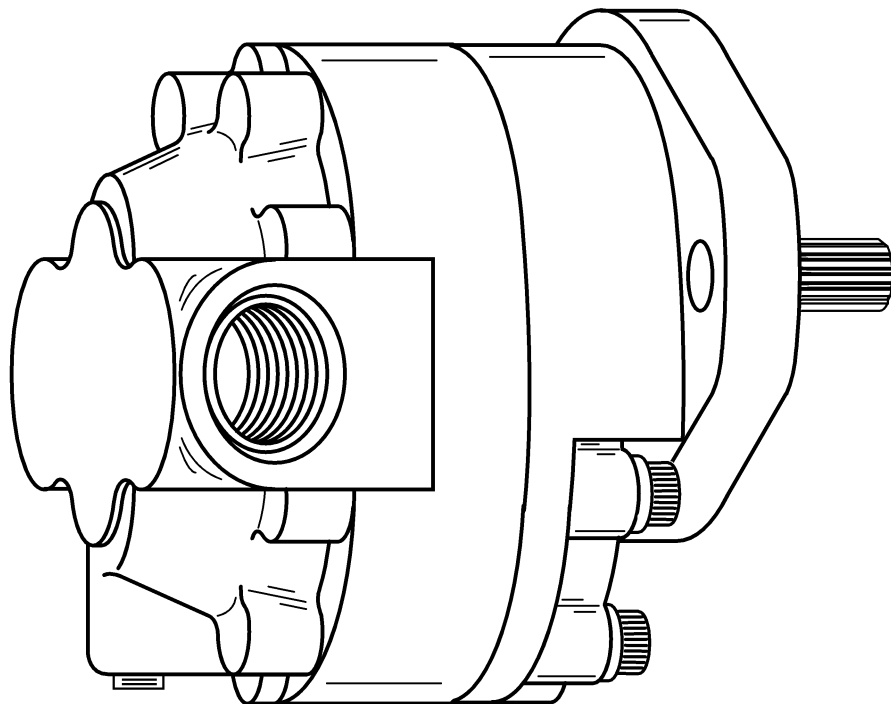


EAT•N

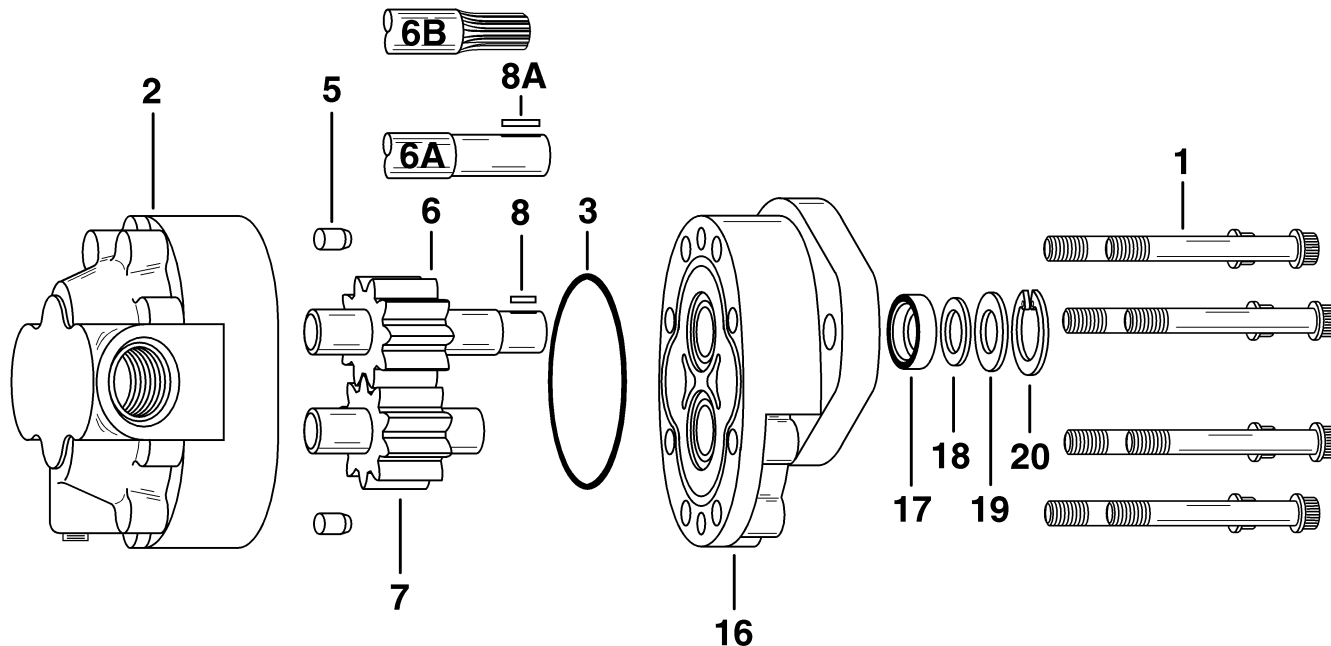
Hydraulics

Gear Motors

Model 21300 Gear Motor "B1" Series



Parts Drawing



Parts List

Item No.	Description	Qty.	Part Number
1	Cap screws	8	16119-514
2	Housing Assembly	1	◆
+ *3	O-ring, 0,59mm Dia. x 76,2mm I.D. [1/16 in. Dia. x 3 in. I.D.]	1	16007-513
5	Dowel Pin	2	16028-505
6	Drive Gear Assembly	1	◆
7	Idler Gear Assembly	1	◆
8	Key 12,7 [.50] Lg.	1	16246-310
8A	Key 24,6 [.97] Lg.	1	24300-626
16	Front Plate Assembly	1	21300-510
+ 17	Shaft Seal	1	24300-615
+ 18	Back-up Washer	1	21300-606
+ 19	Washer	1	21140-20
+ 20	Retaining Ring	1	16077-18
+ *S	Seal repair Kit	1	21300-923

+ Included in Seal Repair Kit

* Units built before mid 1985 may require o-ring 16015-551, 2,38mm x 76,2mm I.D. [3/32 in. dia. x 3 in. I.D.], provided in seal repair kit.

Parts List

Drive and Idler Gear Assembly Matrix-

Item No.'s 6, 7

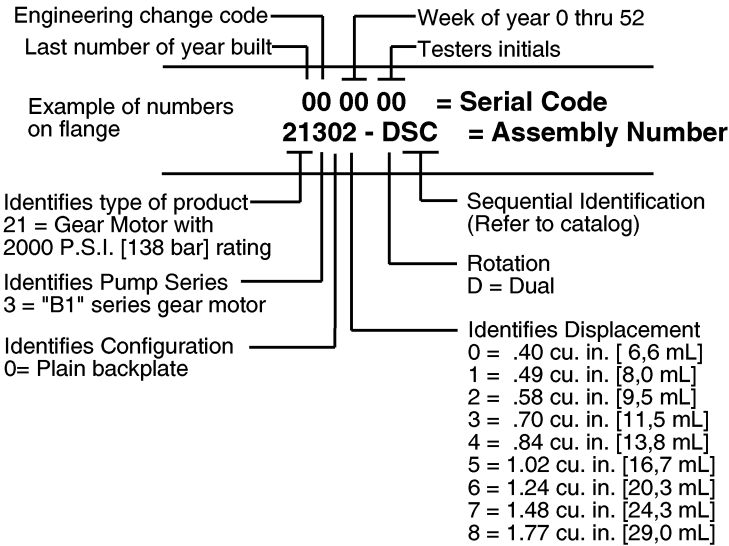
Model Number	Part Number			
	Item No. 6 15,88 [.625] Dia. Keyed 31,8 [1.25] Lg.	Item No. 6A 15,88 [.625] Dia. Keyed 58,7 [2.31] Lg.	Item No. 6B 15,88 [.625] Dia. Spline 9 Tooth	Item No. 7 Idler Gear Assembly
21300	21300-317	21300-319	21300-313	21300-311
21301	21301-310	21301-316	21301-314	21301-312
21302	21302-321	21302-325	21302-323	21302-317
21303	21303-315	21303-326	21303-319	21303-313
21304	21304-314	21304-316	21304-312	21304-308
21305	21305-326	21305-338	21305-330	21305-322
21306	21306-325	21306-327	21306-323	21306-304
21307	21307-315	21307-317	21307-313	21307-303
21308	21308-314	21308-316	21308-310	21308-308

Housing Assembly Matrix-

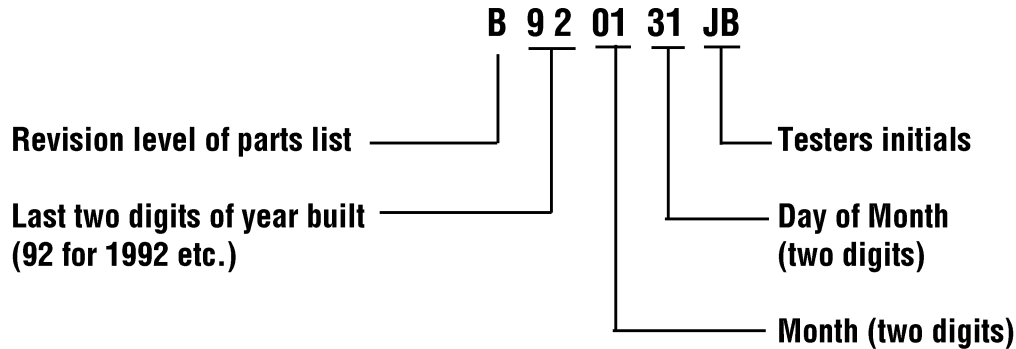
Item No. 2

Model Number	Part Number	
	Side Ports (1-1/16 - 12 SAE)	Rear Ports (1-1/16 - 12 SAE)
21300	21300-25	21300-26
21301	21301-5	21301-6
21302	21302-6	21302-5
21303	21303-7	21303-2
21304	21304-6	21304-7
21305	21305-8	21305-4
21306	21306-4	21306-5
21307	21307-6	21307-7
21308	21308-6	21308-7

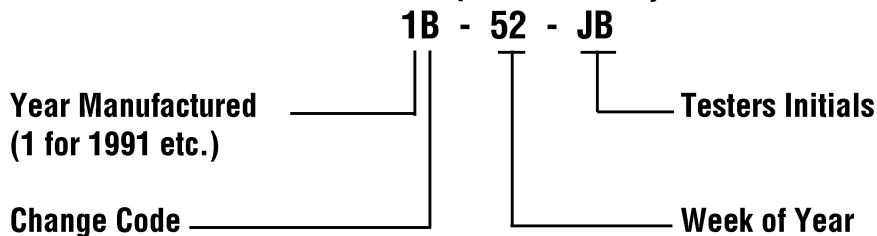
Identification Numbers



Serial Code effective January 1, 1992



Serial Code prior to January 1, 1992



Eaton
14615 Lone Oak Road
Eden Prairie, MN 55344
USA
Tel: 952 937-9800
Fax: 952 974-7722
www.hydraulics.eaton.com

Eaton
20 Rosamond Road
Footscray
Victoria 3011
Australia
Tel: (61) 3 9319 8222
Fax: (61) 3 9318 5714

Eaton
46 New Lane, Havant
Hampshire PO9 2NB
England
Tel: (44) 23 92 486 451
Fax: (44) 23 92 487 110