



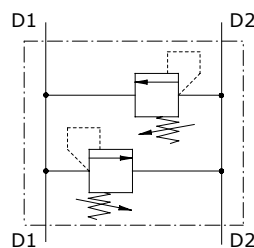
## Type VADDL pressure relief valves

- Double antishock differential acting relief valve

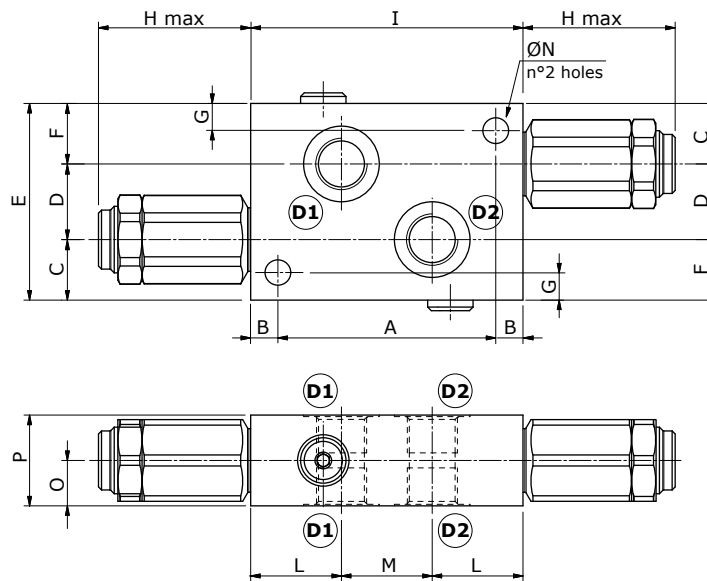
Technical specifications and diagrams are measured with mineral oil of 46 cSt viscosity at 40°C (104°F) temperature.

	VADDL 38	VADDL 12	VADDL 34	VADDL 100	
Nominal flow	35 l/min (9.2 US gpm)	60 l/min (16 US gpm)	120 l/min (31.7 US gpm)	180 l/min (47.6 US gpm)	
Max. pressure	Aluminium body = 210 bar (3050 psi) Steel body = 350 bar (5100 psi)				
Oil leakage at 80% of max. setting	0.5 cm <sup>3</sup> /min (0.03 in <sup>3</sup> /min)				
Fluid	mineral based oil				
Viscosity	from 10 to 200 cSt				
Max. level of contamination	18/16/13 ISO4406				
Fluid temperature	with NBR seals from -20°C (-4°F) to 80°C (176°F) with FPM seals from -20°C (-4°F) to 100°C (212°F)				
Environmental temp. for working conditions	from -40°C (-40°F) to 100°C (212°F)				
Weight	aluminium	0.88 kg (1.94 lb)	1.17 kg (2.58 lb)	1.93 kg (4.25 lb)	2.29 kg (5.05 lb)
	steel	1.53 kg (3.37 lb)	2.04 kg (4.50 lb)	4.77 kg (10.51 lb)	4.16 kg (9.17 lb)

NOTE - For different conditions, please contact Walvoil Sales Dpt.



## Dimensions



Valve type	All ports
VADDL 38	G3/8
VADDL 12	G1/2
VADDL 34	G3/4
VADDL 100	G1

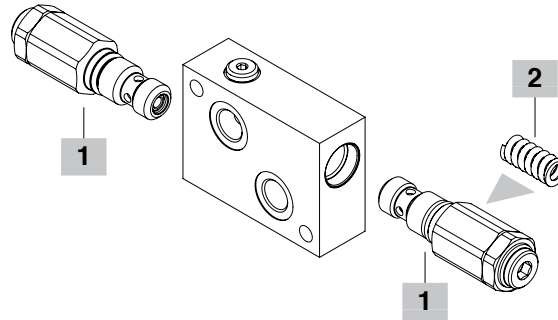
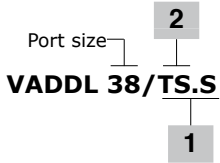
  

Valve type	All ports
VADDL 38/SAE	SAE8
VADDL 12/SAE	SAE10
VADDL 34/SAE	SAE12
VADDL 100/SAE	SAE16

Dimensions are in mm-in

Valve type	A	B	C	D	E	F	G	H max	I	L	M	ØN	O	P
VADDL 38 VADDL 38/SAE	72-2.83	9-0.35	20-0.79	25-0.98	65-2.56	20-0.79	9-0.35	57.7-2.27	90-3.54	30-1.18	30-1.18	8.5-0.33	15-0.59	30-1.18
VADDL 12 VADDL 12/SAE	80-3.15	10-0.39	21-0.82	27-1.06	70-2.75	22-0.87	10-0.39	56.2-2.21	100-3.94	31-1.22	38-1.50	8.5-0.33	17.5-0.69	35-1.38
VADDL 34 VADDL 34/SAE	90-3.54	10-0.39	31-1.22	32-1.26	90-3.54	27-1.06	10-0.39	68.8-2.71	110-4.33	36-1.42	38-1.50	8.5-0.33	20-0.79	40-1.57
VADDL 100 VADDL 100/SAE	90-3.54	10-0.39	34-1.34	38-1.50	100-3.94	28-1.10	10-0.39	68.8-2.71	110-4.33	30-1.18	50-1.97	8.5-0.33	25-0.98	50-1.97

**Ordering codes and description composition**



**VADDL complete valves**

*Differential type valve configuration*

*Standard setting 150 bar @ 5 l/min (2100 psi at 1.32 US gpm)*

TYPE	CODE	DESCRIPTION
<b>Configuration with G3/8 standard thread</b>		
<b>VADDL 38/TS.S</b>	1150021102	Aluminium body, setting range 5-210 bar (72.5-3045 psi)
<b>VADDL 38/TS.S/ac</b>	1150022100	Steel body, as previous one
<b>Configuration with G1/2 standard thread</b>		
<b>VADDL 12/TS.S</b>	1150031102	Aluminium body, setting range 5-210 bar (72.5-3045 psi)
<b>VADDL 12/TS.S/ac</b>	1150032100	Steel body, as previous one
<b>Configuration with G3/4 standard thread</b>		
<b>VADDL 34/TS.S</b>	1150041102	Aluminium body, setting range 5-210 bar (72.5-3045 psi)
<b>VADDL 34/TS.S/ac</b>	1150042101	Steel body, as previous one
<b>Configuration with G1" standard thread</b>		
<b>VADDL 100/TS.S</b>	1150051102	Aluminium body, setting range 5-210 bar (72.5-3045 psi)
<b>VADDL 100/TS.S/ac</b>	1150052100	Steel body, as previous one
<b>Configuration with SAE8 standard thread</b>		
<b>VADDL 38/TS.S/SAE</b>	1150021200	Aluminium body, setting range 5-210 bar (72.5-3045 psi)
<b>Configuration with SAE10 standard thread</b>		
<b>VADDL 12/TS.S/SAE</b>	1150031201	Aluminium body, setting range 5-210 bar (72.5-3045 psi)
<b>Configuration with SAE12 standard thread</b>		
<b>VADDL 34/TS.S/SAE</b>	1150041200	Aluminium body, setting range 5-210 bar (72.5-3045 psi)
<b>Configuration with SAE16 standard thread</b>		
<b>VADDL 100/TS.S/SAE</b>	1150051200	Aluminium body, setting range 5-210 bar (72.5-3045 psi)

For other steel body configurations, SAE thread and configurations with FPM (Viton) seals, please contact our Sales Dpt.

**1 Direct acting pressure relief valves**

*Standard setting 150 bar @ 5 l/min (2100 psi at 1.32 US gpm)*

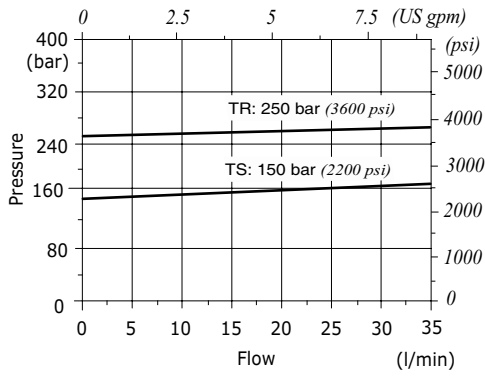
TYPE	CODE	DESCRIPTION
<b>For G3/8 ports configuration</b>		
<b>VMPD 38/TS.S</b>	1120020402	Setting range 5-210 bar (72.5-3050 psi)
<b>For G1/2 ports configuration</b>		
<b>VMPD 12/TS.S</b>	1120030402	Setting range 5-210 bar (72.5-3050 psi)
<b>For G3/4 and G1" ports configuration</b>		
<b>VMPD 34/TS.S</b>	1120040402	Setting range 5-210 bar (72.5-3050 psi)

**2 Pressure setting spring**

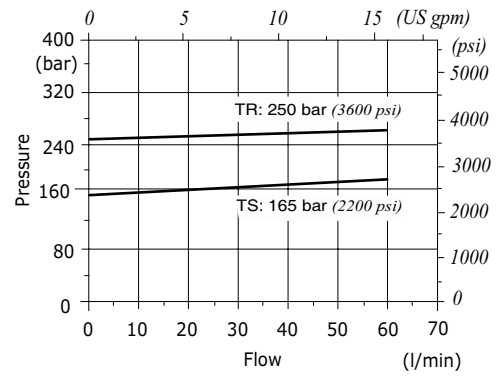
TYPE	CODE	DESCRIPTION
<b>For VMPD 38 valve</b>		
<b>TS</b>	3ML1144000	Setting range 5-210 bar (72.5-3050 psi)
<b>TR</b>	3ML1144001	Setting range 50-350 bar (725-5100 psi)
<b>For VMPD 12 valve</b>		
<b>TS</b>	3ML1164000	Setting range 5-210 bar (72.5-3050 psi)
<b>TR</b>	3ML1164001	Setting range 50-350 bar (725-5100 psi)
<b>For VMPD 34 valve</b>		
<b>TS</b>	3ML1194500	Setting range 5-210 bar (72.5-3050 psi)
<b>TR</b>	3ML1194501	Setting range 50-350 bar (725-5100 psi)

## Rating diagrams

**VADDL 38 pressure drop vs. flow**  
Std. setting @ 5 l/min (1.32 US gpm)



**VADDL 12 pressure drop vs. flow**  
Std. setting @ 5 l/min (1.32 US gpm)



**VADDL 34-100 pressure drop vs. flow**  
Std. setting @ 5 l/min (1.32 US gpm)

