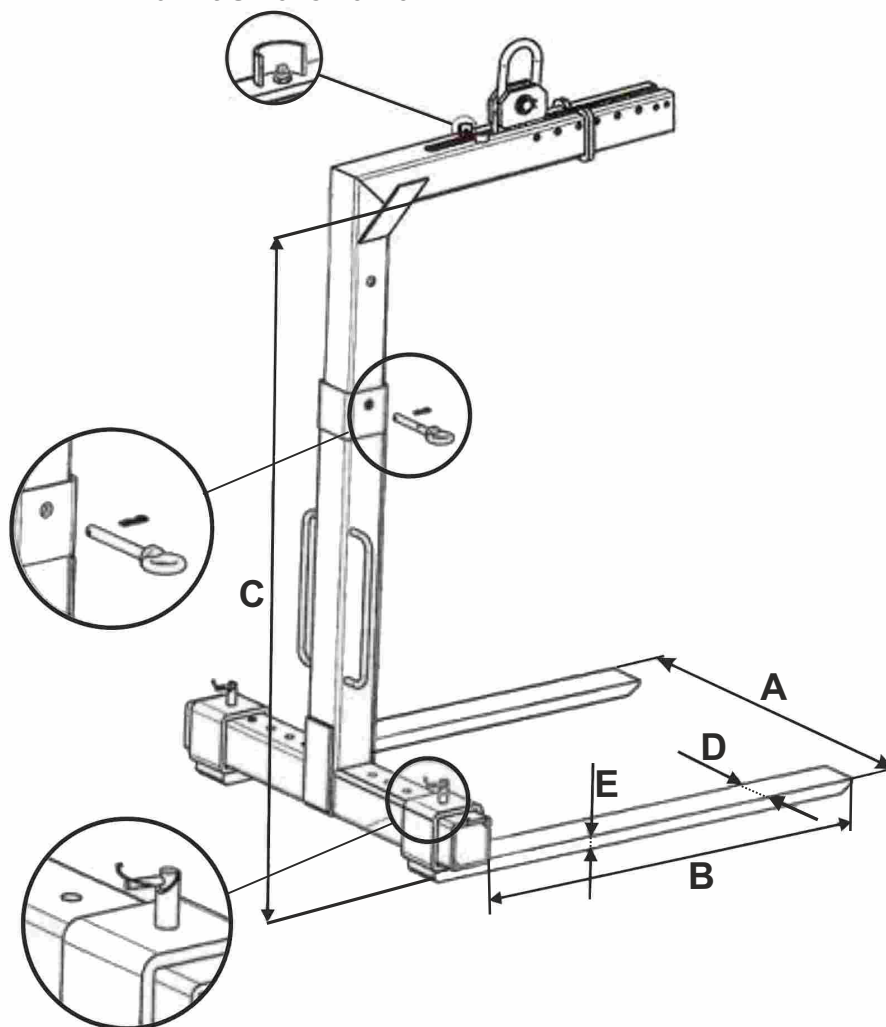


Punkt smarowania



TYP	NOŚNOŚĆ	A	B	C	D	E	MASA
	max/min [kg]	max/min [mm]	[mm]	max/min [mm]	[mm]	[mm]	[kg]
S-1500	1500/200	900/340	980	1740/1120	80	30	130
S-2000	2000/200	920/360	980	1740/1120	100	30	140
SP-2000	2000/250	920/360	1150	1740/1120	100	30	160

