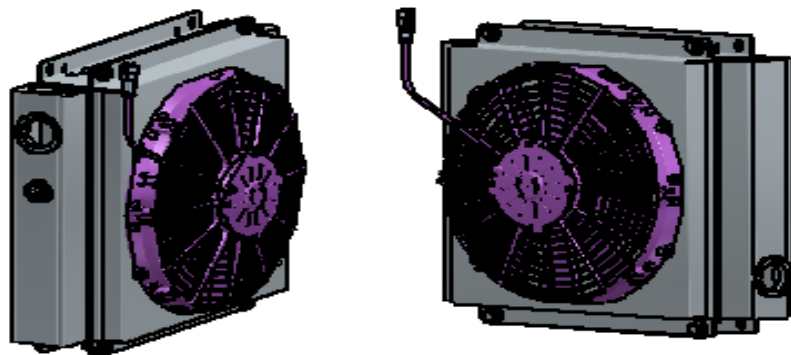
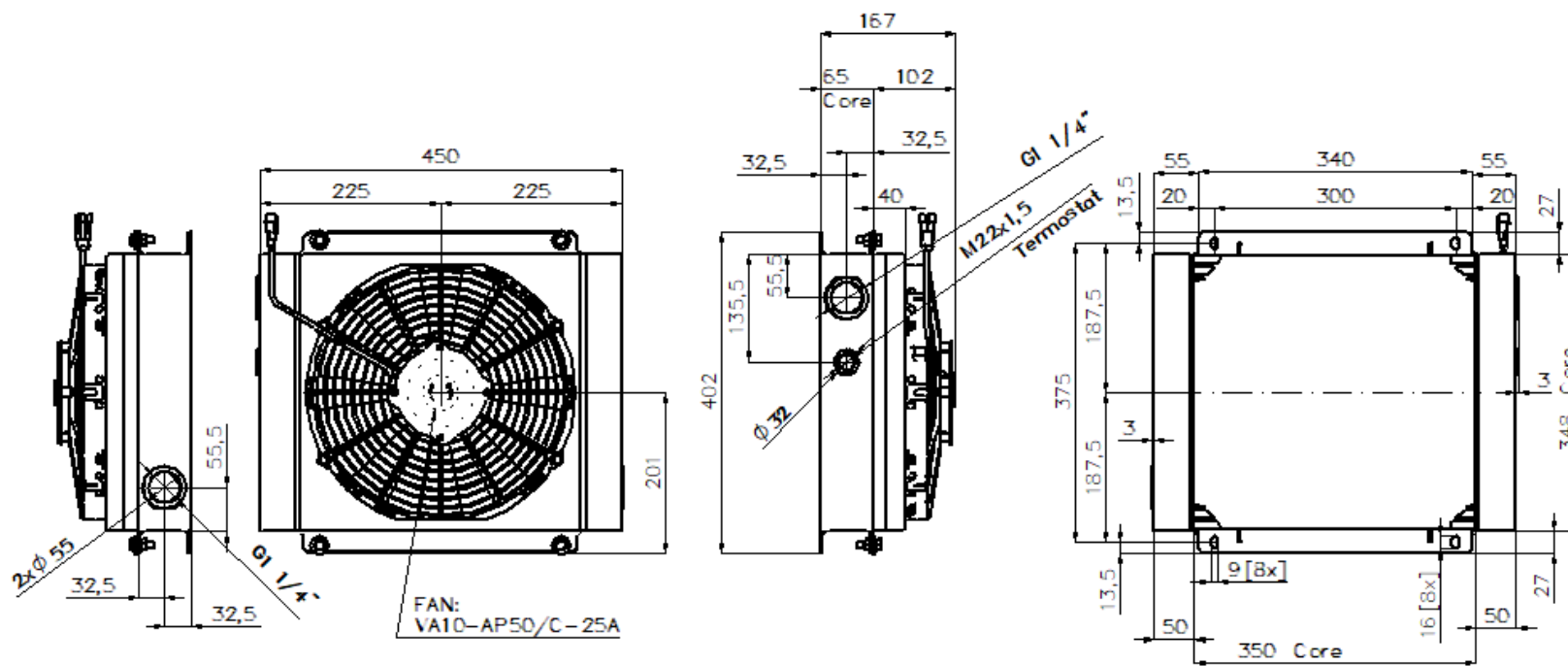


Chłodnica RARUV49667-0



SPECIFICATIE MATRICE / CORE SPECS.

DIMENSIUNI / DIMENSIONS [mm]	350X348X64
NR CANALE / CHANNEL NO.	25
INALTIME ARIP. AER / AIR FIN HEIGHT [mm]	9
PAS ARIP. AER / AIR FIN PITCH [mm]	5[10.16 FPI]
TIP ARIP. AER / AIR FIN TYPE	WAVY
INALTIME CANAL / CHANNEL HEIGHT [mm]	2.2
PRESIUNE LUCRU / WORK PRESSURE [bar]	17
PRESIUNE TEST / TEST PRESSURE [bar]	25
Napięcie wentylatora DC [V]	12
Pojemność chłodnicy [dm ³]	4,05
Odpowiednik chłodnicy	A46 12V
Wtyczka	Gniazdo Superseal 2.8 2P



Gniazdo Superseal 2.8 2P

