

**RE 18307-71/10.14**

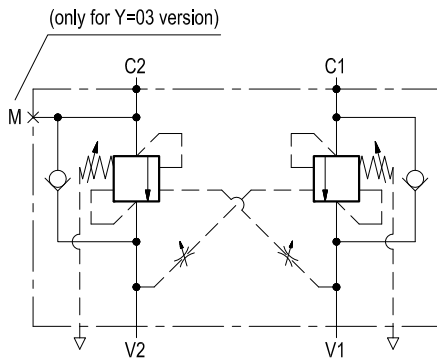
Replaces: RE 18307-71/04.10

# Dual counterbalance, vented



**VBSO-DE-CCAP-33-FC2**

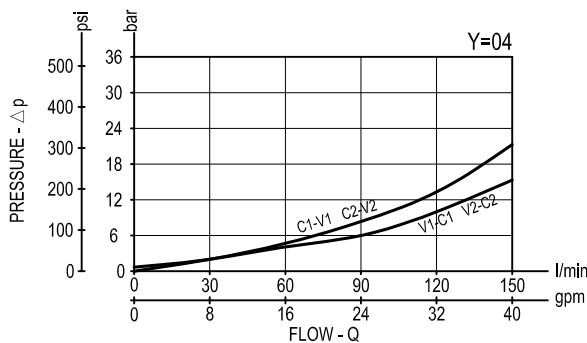
**05.44.31 - X - Y - Z**



## Description

It provides static and dynamic control of load by regulating the flow IN and OUT of the actuator, through ports C1 and C2. This valve module includes 2 sections, each one composed by a check and a relief valve pilot assisted by pressure in the opposite line: the check section allows free flow into the actuator, then holds the load against reverse movement; with pilot pressure applied at the line across, the pressure setting of the relief is reduced in proportion to the stated ratio until opening and allowing controlled reverse flow. The relief spring chambers are vented to air: relief and piloted opening are independent of back-pressure at V1 or V2. For better safety and compact assembly, the C1 and C2 ports are gasket mounted directly on the actuator.

## Performance



## Technical data

### Hydraulic

Operating pressure	bar (psi)	up to 210 (3000)
Max. flow	l/min (gpm)	150 (40)

Relief setting: at least 1.3 times the highest expected load.

### General

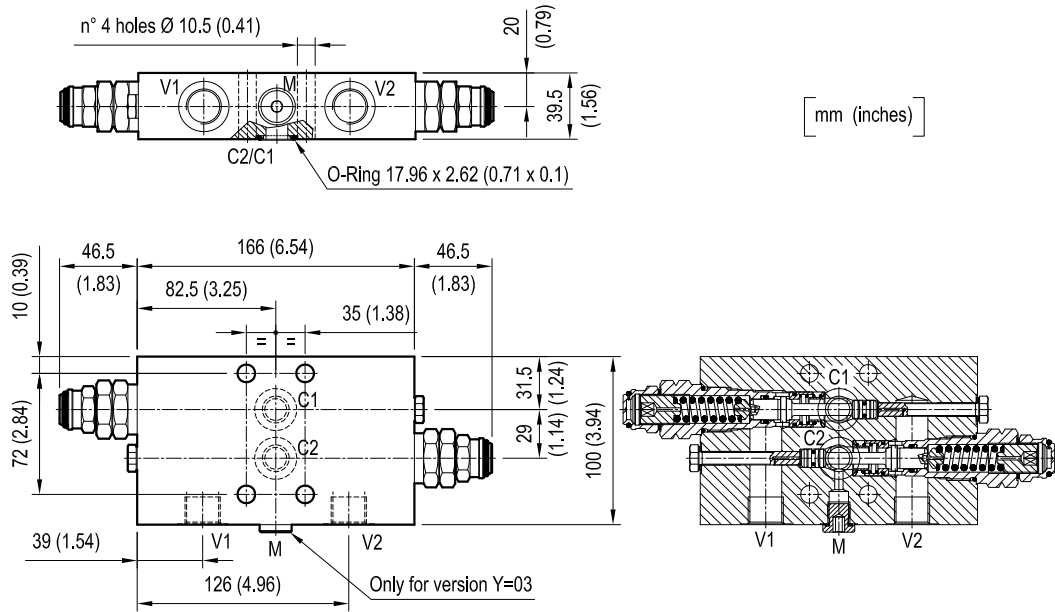
Manifold material	Aluminium
-------------------	-----------

Note: aluminium bodies are often strong enough for operating pressures exceeding 210 bar (3000 psi), depending from the fatigue life expected in the specific application. If in doubt, consult our Service Network.

Weight	kg (lbs)	2.8 (6.2)
Fluid temperature range	°C (°F)	between -30 (-22) and +100 (212)
Other technical data		see data sheet RE 18350-50

**Note:** for applications outside these parameters, please consult us.

**Dimensions**



**Ordering code**

**05.44.31** | **X** | **Y** | **Z**

Dual counterbalance, vented

Pilot ratio

= 03 4:1

= 13 4:1

SPRINGS		
Adj. pressure range bar (psi)	Pres. increase bar/turn (psi/turn)	Std. setting Q=5 (l/min.) bar (psi)
= 35 150-350 (2175-5000)	110 (1595)	350 (5000)

Port sizes	V1 - V2	C1 - C2	M
= 03	G 1/2	Ø 13 (0.51)	G 1/4
= 04	G 3/4	Ø 13 (0.51)	/

Type	Material number
05443103033500D	R930002005
05443103043500C	R930002006
05443113033500D	R930002007
05443113043500C	R930002008

Type	Material number