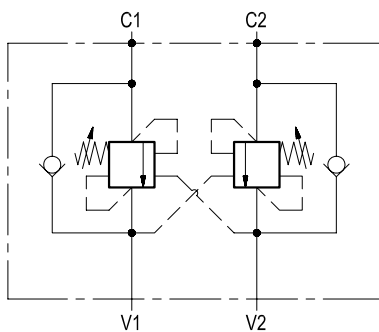
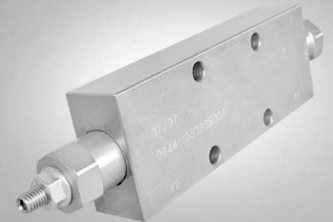


Dual counterbalance

A-VBSO-DE-30-FC2

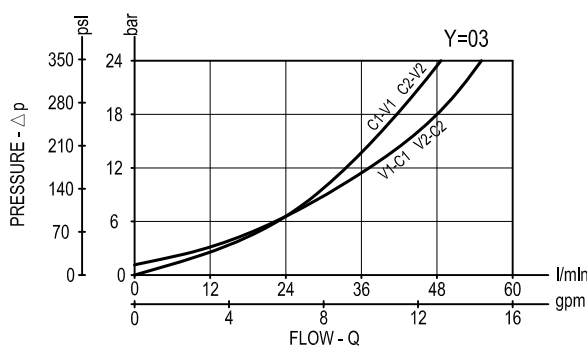
08.44.11 - X - Y - Z



Description

It provides static and dynamic control of load by regulating the flow IN and OUT of the actuator, through ports C1 and C2. This valve module includes 2 sections, each one composed by a check and a relief valve pilot assisted by pressure in the opposite line: the check section allows free flow into the actuator, then holds the load against reverse movement; with pilot pressure applied at the line across, the pressure setting of the relief is reduced in proportion to the stated ratio until opening and allowing controlled reverse flow. Back-pressure at V1 or V2 is additive to the pressure setting in all functions. For better safety and compact assembly, the C1 and C2 ports are gasket mounted directly on the actuator.

Performance



Technical data

Hydraulic

Max. operating pressure bar (psi) 350 (5000)

Max. flow l/min (gpm) 60 (16)

Relief setting: at least 1.3 times the highest expected load.

General

Manifold material Steel

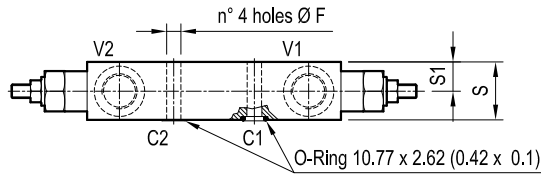
Weight see "Dimensions"

Fluid temperature range °C (°F) between -30 (-22) and +100 (212)

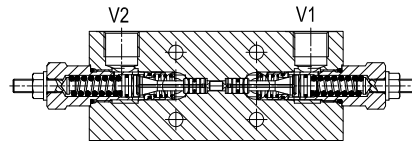
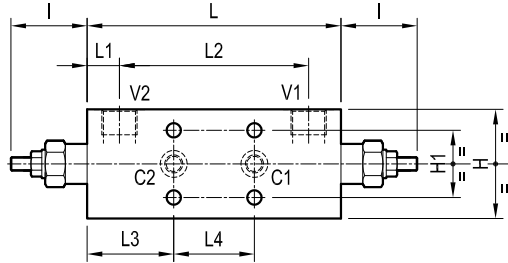
Other technical data see data sheet RE 18350-50

Note: for applications outside these parameters, please consult us.

Dimensions



[mm (inches)]



17.5 (0.69)	34.5 (1.36)	48 (1.89)	51.5 (2.03)	112.6 (4.43)	19.2 (0.76)	151 (5.95)	45.5 (1.79)	40 (1.58)	65 (2.56)		8.5 (0.34)				G 1/2	2.3 (5.1)
15 (0.59)	29.5 (1.16)	48 (1.89)	51.5 (2.03)	109.6 (4.32)	20.7 (0.82)	151 (5.95)	45.5 (1.79)	40 (1.58)	55 (2.17)		8.5 (0.34)				G 3/8	1.76 (3.88)
S1	S	L4	L3	L2	L1	L	I	H1	H		F				Y	Weight kg (lbs)

Ordering code

08.44.11 X Y Z

Dual counterbalance

Pilot ratio

= 03 4.2:1

= 85 11:1

Port sizes

V1-V2

C1-C2

= 02

G 3/8

Ø 9 (0.35)

= 03

G 1/2

Ø 9 (0.35)

		SPRINGS		
		Adj. pressure range bar (psi)	Pres. increase bar/turn (psi/turn)	Std. setting Q=5 (l/min.) bar (psi)
= 20	for X=03	60-210 (870-3000)	63 (914)	200 (2900)
	for X=85	60-250 (900-3600)	70 (1015)	200 (2900)
= 35	for X=03	100-350 (1450-5000)	138 (2001)	350 (5000)

Tamper resistant cap
code 11.04.23.002
R930000752



Type	Material number
08441103022000A	R930003390
08441103023500A	R930003391
08441103032000A	R930001955
08441103033500A	R930003399
08441185022000A	R930003407
08441185032000A	R930003409

Type	Material number