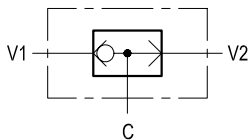
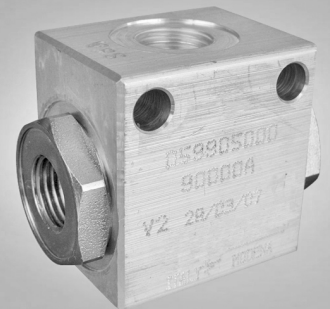


RE 18309-98/04.10 1/2
Replaces: RE 00171/02.07

Shuttle valve

VFC

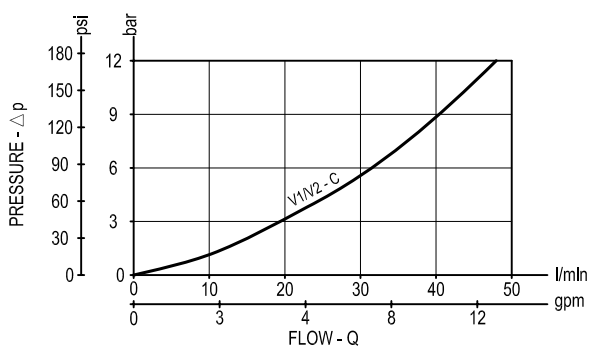
05.99.05.00 - Y



Description

Single ball shuttle valve with 3 ports for in-line plumbing: when the ports V1 and V2 are connected to 2 work lines, the valve delivers the highest of the 2 pressures to the common port C. The single ball allows for the decay of the pressure signal when both work ports drop to a lower pressure level.

Performance



Technical data

Hydraulic

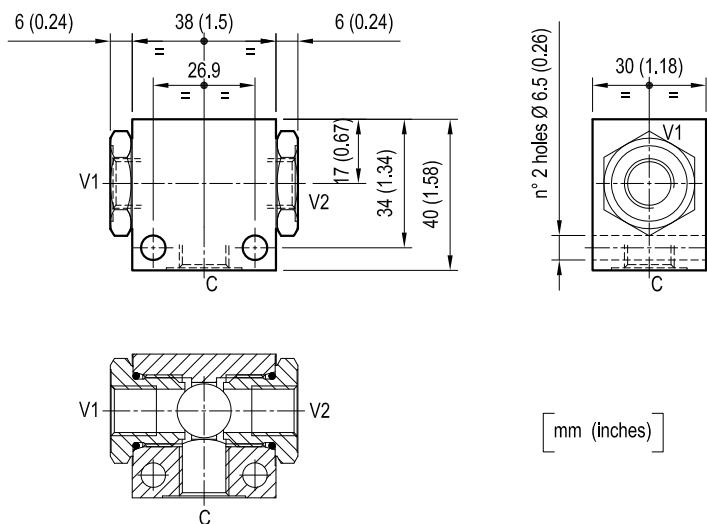
Operating pressure	bar (psi)	up to 210 (3000)
Max flow	l/min (gpm)	50 (13)

General

Manifold material	Aluminium	
Note: aluminium bodies are often strong enough for operating pressures exceeding 210 bar (3000 psi), depending from the fatigue life expected in the specific application. If in doubt, consult our Service Network.		
Weight	kg (lbs)	0.17 (0.38)
Other technical data	see data sheet RE 18350-50	

Note: for applications outside these parameters, please consult us.

Dimensions



[mm (inches)]

Ordering code

05.99.05.00	Y
--------------------	----------

Shuttle valve

Port sizes	C	V1 - V2
= 09	G 1/4	G 1/4

Type	Material number
05990500090000A	R930002701

Type	Material number