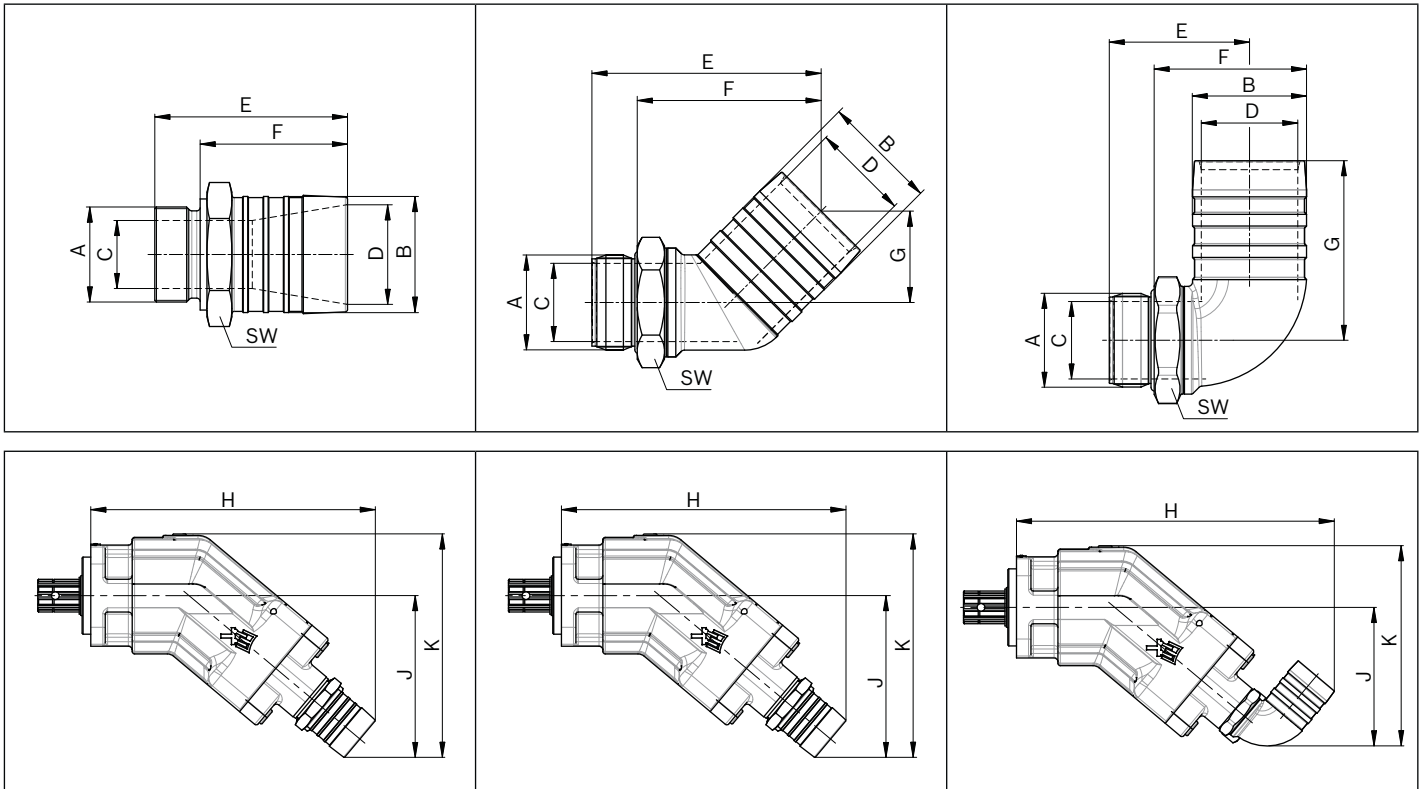


Suction stud**Dimensions**

Axial piston unit		Suction stud		Version	Material number	C	D	E	F	G	SW	H	J	K
NG	Port S A	Inner \varnothing B [in]	B [mm]											
23, 32	G3/4	1 1/2	39	Straight	R909831856	18	33.5	70	54	-	41	221	132	186
45	G1	1 1/2	39		R902600251	23.5	33.5	72	54	-	41	248	139	197
63												257	146	204
63	G1	2	51		R902602028	26	44	82	64	-	55	268	157	215
80	G1 1/4	2	51		R902600252	30	44	85	65	-	55	295	168	232
107												306	177	245
107	G1 1/4	2 1/2	63		R902601630	31	54	82	64	-	65	308	180	248
23, 32	G3/4	1 1/2	39	45°	R909831601	20	31	101	82	43	36	259	126	180
45	G1	1 1/2	39		R909831600	26	31	101	82	45	41	287	132	190
63												296	139	197
63	G1	2	51		R902602029	26	43	100	81	44	41	295	145	203
80	G1 1/4	2	51		R909831597	34	43	101	81	40	50	317	156	220
107												328	165	234
107	G1 1/4	2 1/2	63		R902601631	35	54	100	81	44	50	331	169	237
23, 32	G3/4	1 1/2	39	90°	R909831602	20	31	62	43	81	36	265	117	171
45	G1	1 1/2	39		R909831599	26	31	64	44	85	41	296	127	185
63												305	134	192
63	G1	2	51		R902602030	26	43	62	42	81	41	305	138	196
80	G1 1/4	2	51		R909831598	35	43	63	43	80	50	330	144	208
107												341	153	221