

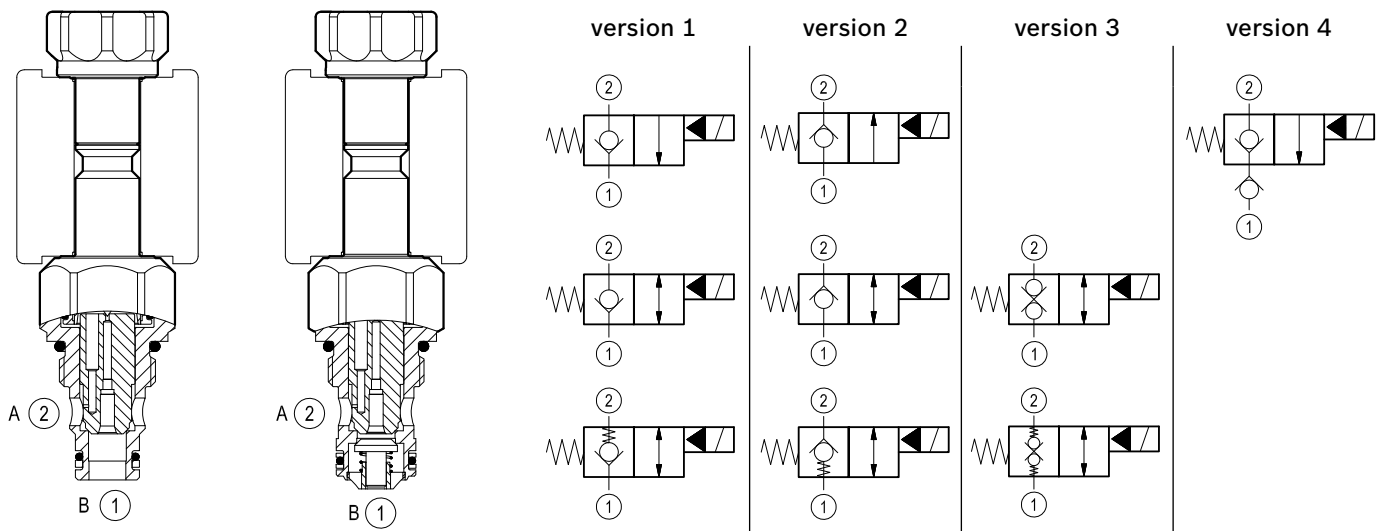
## Solenoid operated valves pilot operated poppet type 2-way normally closed

Common cavity, Size 08



VEI-8A-06-NC

OD.15 - X - Y - Z - S



### General

Weight	kg (lbs)	0.16 (0.35)
Installation orientation		Optional
Ambient temperature range	°C (°F)	-30 to 60 (-22 to 140)

### Hydraulic

Max. operating pressure	bar (psi)	350 (5000)
Max. proof pressure	bar (psi)	420 (6000)
Flow range	l/min. (gpm)	0.5-40 (0.1-11)
Fatigue cycle life	cycles	1 million cycles at 350 bar
Max. internal leakage	drops/min.	20
Fluid temperature range	°C (°F)	-20 to 80 (-4 to 176)

Fluids Mineral-based or synthetics with lubricating properties at viscosities of 20 to 380 mm<sup>2</sup>/s (cSt)

Installation torque Nm (ft-lbs) 39-51 (29-38)

Filtration Nominal value max. 10µm (NAS 8) ISO 4406 19/17/14

Cavity CA-08A-2N (version 4: 019-E)

Seal kit version 1 code material no. RG08A2010520100 R901101437

Seal kit version 2-3 code material no. RG08A2010530100 R901101544

Seal kit version 4 code material no. RG19E201053010 R934003561

Seal kit coil code material no. RG12A1PNBR7010 R934003958

Other technical data See data sheet RE 18350-50

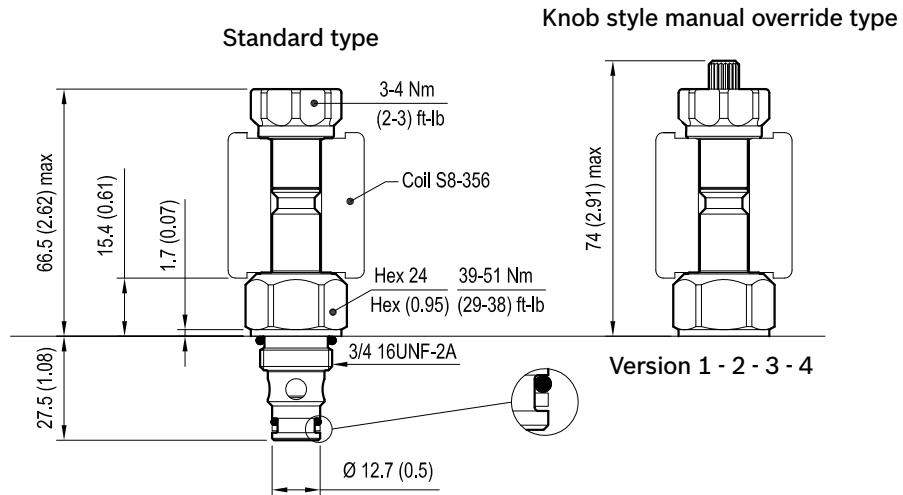
### Electrical

Type of voltage	DC voltage
Coil type	S8-356 see RE 18325-90
Supply voltage	See data sheet RE 18325-90
Nominal voltage	± 10%
Power consumption	W 20
Duty cycle coil	% See performance graphs
Type of protection	See data sheet RE 18325-90

Note: Coils must be ordered separately.

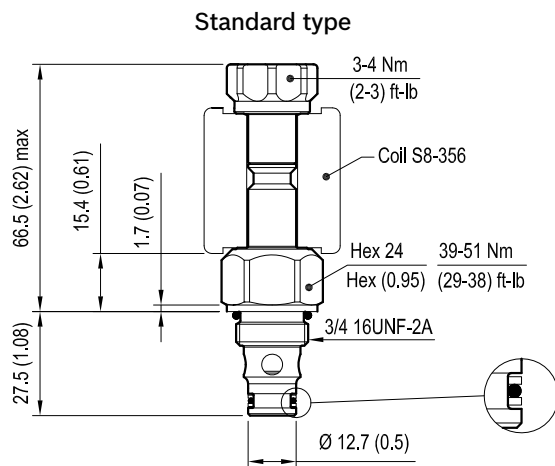
## Dimensions

### Version 1: Solenoid operated valve, poppet 2-way normally closed

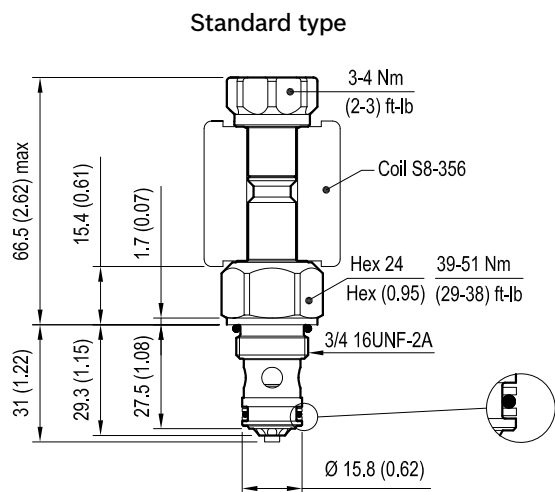


### Version 2: Solenoid operated valve, poppet 2-way normally closed

### Version 3: Solenoid operated valve, poppet 2-way double lock normally closed



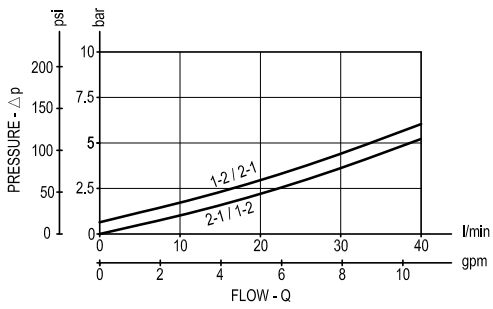
### Version 4: Solenoid operated valve, poppet 2-way normally closed



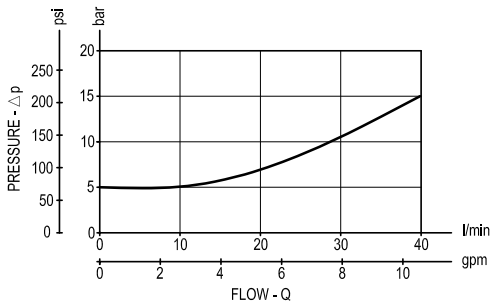
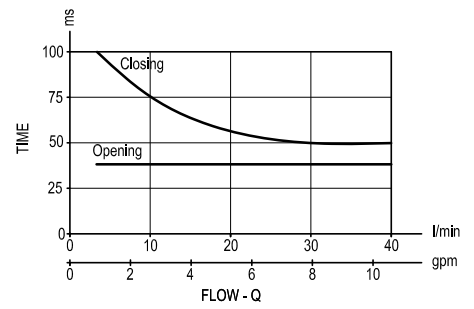
mm (Inches)

# Performance graphs

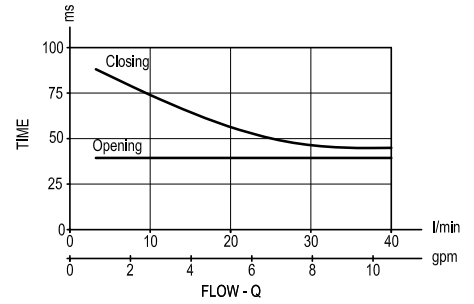
## Version 1 - Version 2



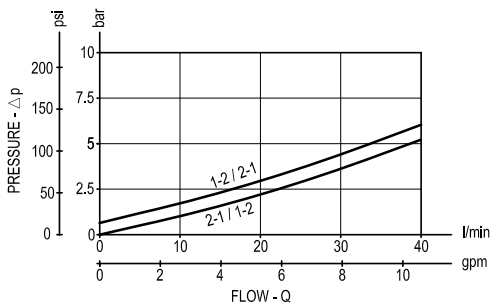
Standard



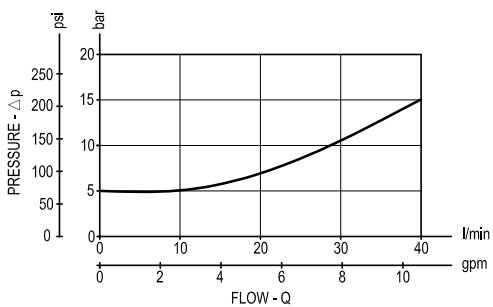
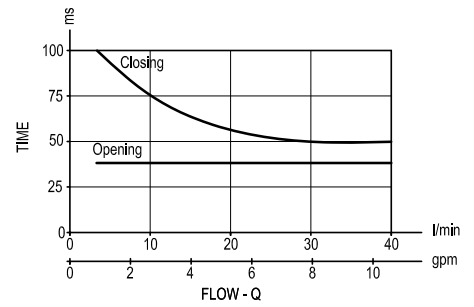
Extra spring



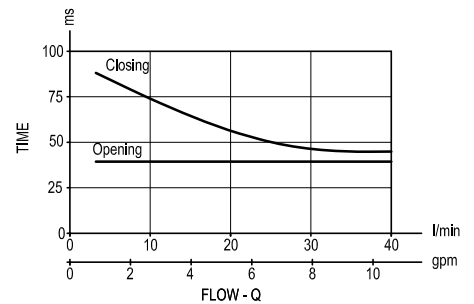
## Version 3



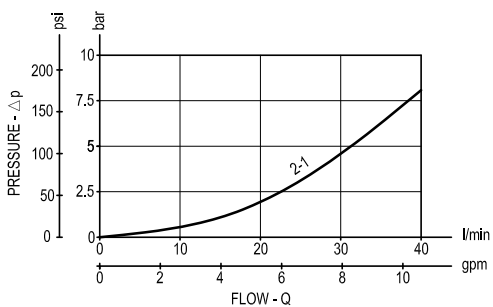
Standard



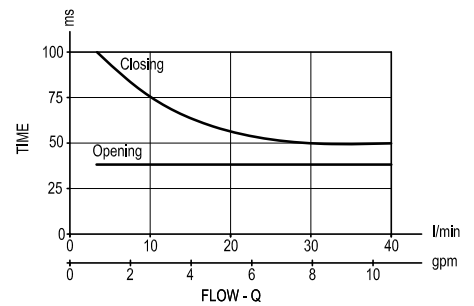
Extra spring



## Version 4



Standard

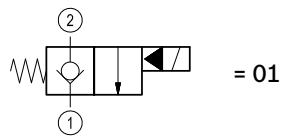


### Ordering code

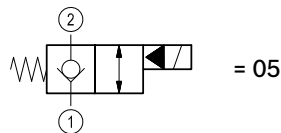
OD.15	X	Y	*	*
-------	---	---	---	---

Solenoid operated valves  
poppet type 2-way  
normally closed

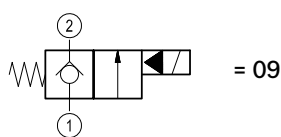
monodirectional type



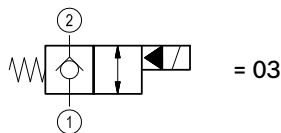
bidirectional type



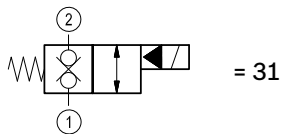
monodirectional type



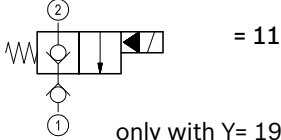
bidirectional type



bidirectional type

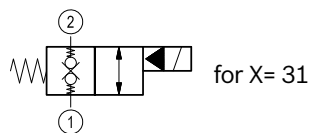
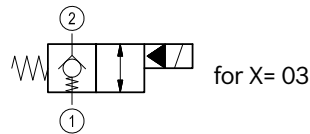
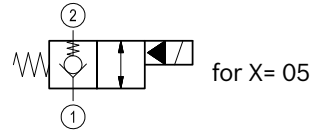


monodirectional type



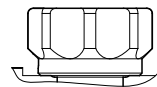
S0 = Tube not welded

S8 = Tube not welded with extra spring



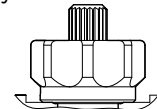
standard type

3A =



knob style manual override

3D =



18 = Common cavity: CA-08A-2N

19 = Special cavity: 019-E only with X= 11

Type	Material number
OD1501183AS000	R901091096
OD1501183DS000	R901091101
OD1503183AS000	R934000779
OD1503183AS800	R934003063
OD1503183DS000	R901091112
OD1503183DS800	R934003064
OD1505183AS000	R901083058
OD1505183AS800	R934003080
OD1505183DS000	R901087979

Type	Material number
OD1509183AS000	R901091150
OD1509183DS000	R901091151
OD1531183AS000	R901082015
OD1531183AS800	R934000104
OD1531183DS000	R901091164
OD1511193AS000	R901091157
OD1511193DS000	R901091158