

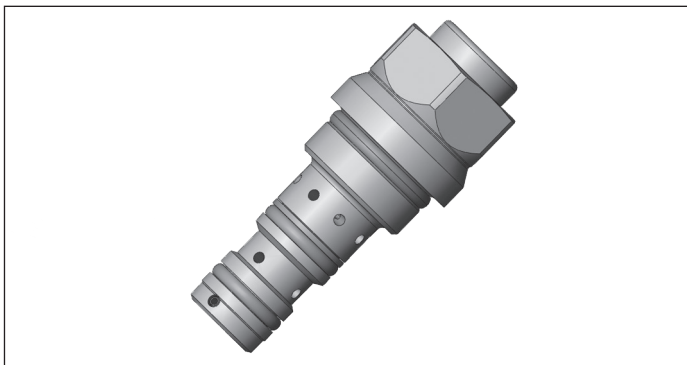
Pressure reducing and relieving,
direct acting spool type
Special cavity, R/LA

MHDRDB

RE 18318-55

Edition: 02.2021

Replaces: 09.2019



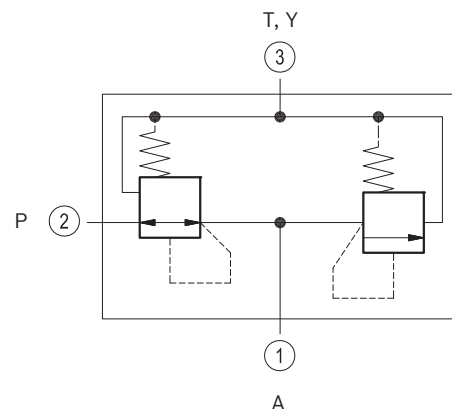
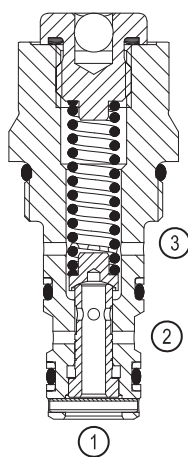
Description

Initially, flow passes freely from 2 to 1. When the pressure at 1 exceeds the pressure setting, the valve acts to restrict input flow at 2. This increases the pressure drop through the valve and maintains consistent pressure at 1. The spring chamber is drained at 3 to prevent a build-up of back-pressure against the spool. Additionally, if pressure at 1 rises above the pressure setting, flow is relieved to 3 until the setting is re-attained. An undesirable increase in pressure in main port 1 is additionally prevented by lifting the spring plate off the control spool. Tank pressure is additional to the spring setting.

Technical data

General	
Weight	0.17 kg (0.37 lbs)
Installation position	Any
Ambient temperature range	-20 to 80 °C (-4 to 176 °F)
Hydraulic	
Max. operating pressure port 2	420 bar (6090 psi)
Max. control pressure port 1	35, 40 bar (508, 580 psi)
Max. tank pressure port 3	30 bar (435 psi)
Max. flow	15 l/min. (4 gpm)
Fluid temperature range	-20 to 100 °C (-4 to 212 °F) for FKM
Fluids:	Mineral-based or synthetics with lubricating properties at viscosities of 10 to 800 mm ² /s (cSt)
Installation torque	54 - 66 (40 - 49 ft-lbs)
Filtration	Class 20/18/15 ISO 4406
Special cavity	R/LA see page RE 18325-75
Load cycles	2 million

Note: The valves are not provided with any surface protection.



Ordering code

MHDRDB	04	K	0 -	1X/			LA	*
---------------	-----------	----------	------------	------------	--	--	-----------	----------

Pressure reducing and relieving
direct acting spool type

Further details in clear text

Component series 10 to 19
(10 to 19: unchanged installation and connection dimensions)

35 bar **035**

40 bar **040**

(lower pressure ratings on request)

V =

Seal material

FKM seals
(other seals on request)

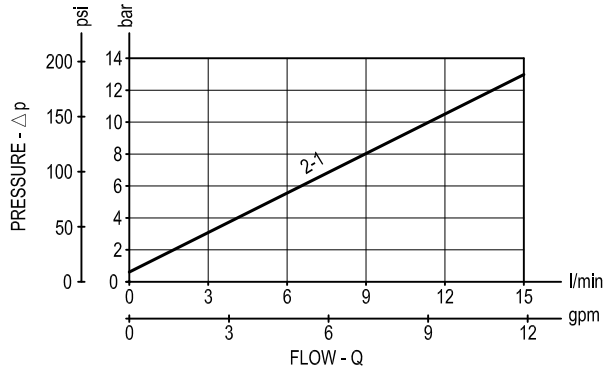
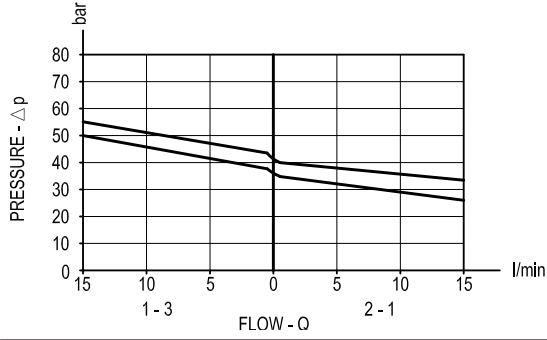
Attention!
Observe compatibility of seals
with hydraulic fluid used!

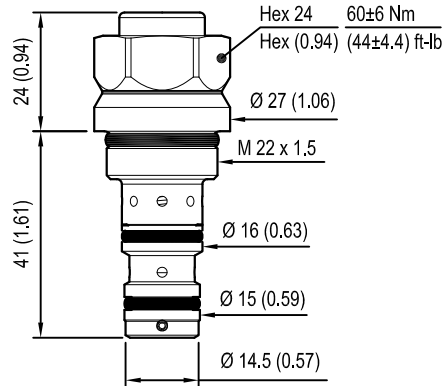
Preferred types

Type	Material number
MHDRDB-04-K0-11/035VLA	R900641606
MHDRDB 04 K0-11/040VLA	R900751628

Type	Material number

Characteristic curves



Dimensions▼ **Pressure reducing and relieving direct acting spool type****Bosch Rexroth Oil Control S.p.A.**

Via Leonardo da Vinci 5
P.O. Box no. 5
41015 Nonantola – Modena, Italy
Tel. +39 059 887 611
Fax +39 059 547 848
compact-hydraulics-cv@boschrexroth.com
www.boschrexroth.com/compacthydraulics

© This document, as well as the data, specifications and other information set forth in it, are the exclusive property of Bosch Rexroth Oil Control S.p.a.. It may not be reproduced or given to third parties without its consent. The data specified above only serve to describe the product. No statements concerning a certain condition or suitability for a certain application can be derived from our information. The information given does not release the user from the obligation of own judgment and verification. It must be remembered that our products are subject to a natural process of wear and aging. Subject to change.