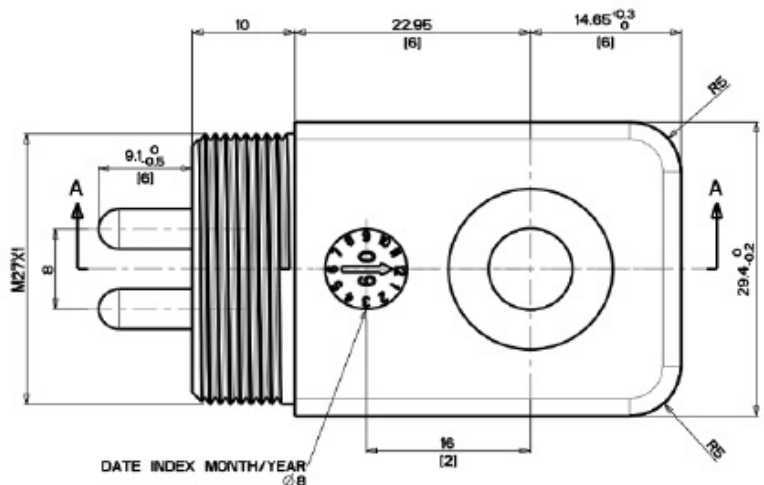
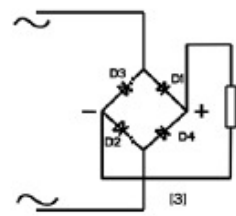
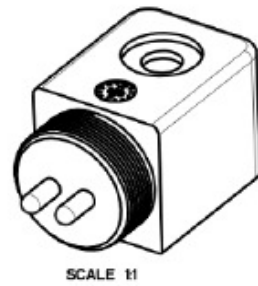
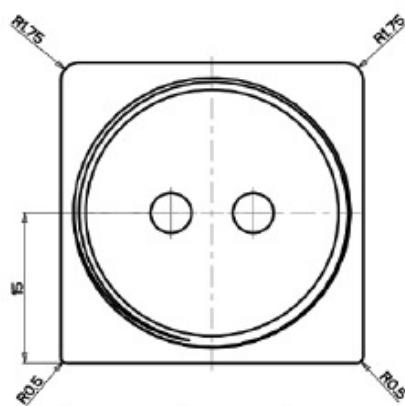
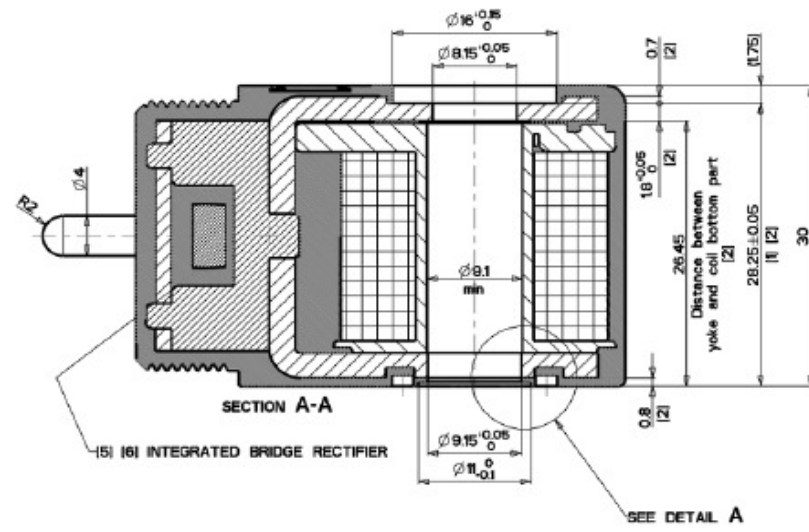


[3]

TECHNICAL DATA

VOLTAGE	24V DC (23V/-10%)
CURRENT CONSUMPTION	0.2A
CONTINUOUS DUTY	100%
INSULATION CLASS	F
TYP OF PROTECTION (WITH ATTACHED AND SECURED PLUG)	IP 65-EN 60529
THERMAL RANGE APPLICATION	-40 °C ÷ +100 °C
SWITCH-OFF PEAKS	<85V
INTEGRATED BRIDGE RECTIFIER (DF02M OR DB203 [5])	COIL NOT SUITABLE FOR PWM SIGNALS



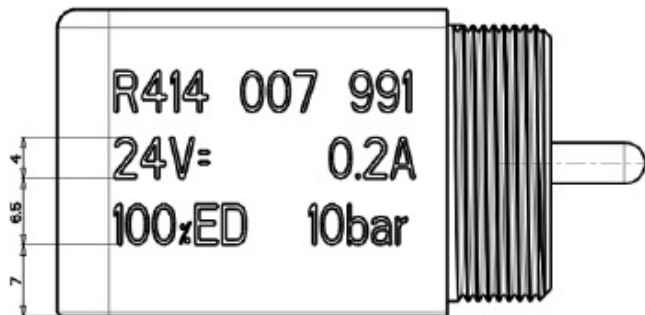
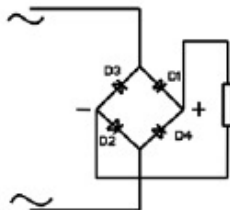
1	ASSEMBLY	ASSIEME CIRCUITO EVI 30 M27	1	4501A	
2	ASSEMBLY	ASSIEME PRIMA DI STAMPARE	1	4503A	
3	ASSEMBLY	BOBINA STAMPATA	1	4504	
4	ASSEMBLY	RO EVI 30/9	1	I738B-6	
5	BULK ITEM	RO + TE BO EVI 30/9	1	I738A-6	
6	PART	AVVOLGIMENTO	1	I738-AVV.9	
7	PART	CAVALLOTTO	1	4564	[1]
8	PART	CIRCUITO EVI 30 M27	1	4501	
9	PART	DATARIO	1	DATARIO-08-1209	
10	PART	DISTANZIALE	1	4502	
11	PART	INCAPSULAMENTO	1	4504 INCAP	
12	PART	PONTE RAC	1	DF02M	
13	PART	ROCCETTO X EVI30/9	1	I738-6	
14	PART	SPINOTTO EVI 30 M27	2	4500 CIAN	
15	PART	TERMINALE DESTRO	1	I240-DX-PG	
16	PART	TERMINALE SINISTRO	1	I240-SX-PG	
POSIZ.	TIPO	DESCRIZIONE	Q.TA'	DIS.	CODICE
SMUSSI NON QUOTATI	RAGGI NON QUOTATI	RADDOPPI IN MICRO	MATERIALE	TRATTAMENTO	N° ATTREZZO
			ARALDITE NU 463 [4]		

MODIF.	1	2	3	4	5	6	SOSTITUISCE	DATA
DATA	30.03.15	30.04.15	03.06.15	31.08.15	17.11.15	13.01.16		
FRMA UT.	Mantovani	Mantovani	Mantovani	Mantovani	Mantovani	Mantovani	SOSTITUITO	FRMA
	DESIGN.	CONTROL	TOLLERANZE GENERALI (mm)				SCALA	
DATA	30.01.15	30.01.15	QUOTE ANGOLARI	0.5	0.5	0.5	2:1	
			ALBERO	0.2	0.2	0.2		
			FORO	0.2	0.2	0.2		
			LINEARE	0.1	0.1	0.1		

DESCRIZIONE		INDICAZIONE
COIL EVI 30 CONNECTION M27 EPOX		1 6
DESIGNO N°	NOTE	FORMATO
4504	<ul style="list-style-type: none"> (●) QUOTE FUNZIONALI CRITICHE (●●) QUOTE SOGGETTE A CAPABILITY (cp. cpl) 	A3
		5

TECHNICAL DATA

VOLTAGE	24V DC $\pm 20\%/-10\%$
CURRENT CONSUMPTION	0.2A
CONTINUOUS DUTY	100%
INSULATION CLASS	F
TYP OF PROTECTION (WITH ATTACHED AND SECURED PLUG)	IP 65-EN 60529
THERMAL RANGE APPLICATION	-40 °C \div +100 °C
SWITCH-OFF PEAKS	<85V
INTEGRATED BRIDGE RECTIFIER DF02M OR DB203 (II)	COIL NOT SUITABLY FOR PWM SIGNALS



Blave max. emesse per particolari in plastica: 0.05

SMUSI NON QUOTATI		RAGGI NON QUOTATI		SUGGERITA IN SECON		MATERIALE		TRATTAMENTO		[0.1/0.15 mm]	
MODAL'		1						SOSTITUZIONE		DATA	
DATA		18.01.16						SOSTITUITO		FIRMA	
FIRMA UT.		Mantovani									
DISIGNO		CONTROL		TOLLERANZE GENERALE [mm]						SCALA	
DATA		03.06.15		03.06.15		QUOTE 0.3-0.5 ANGOLARI 0.5 ALBERO 0.1 FORD 0.1 LINEARE 0.1		0.3 - 0.5 0.5 - 1.0 1.0 - 2.0 2.0 - 5.0 5.0 - 10.0 10.0 - 100		2:1	
FIRMA		Cagnola		Mantovani						UNIT: mm	
DESCRIZIONE		MARKING COIL EVI 30 CONNECTION M27 EPOX								IND. MODIF.	
DISEGNO N°		4504_TAMP								1	
NOTE		(●) QUOTE FUNZIONALI CRITICHE (●●) QUOTE SOGGETTE A CAPABILITY (sp. cph)								FORMATO	
										A4	

DO NOT INTERPRET THE DRAWINGS FOR ANY DOUBTS PLEASE CONTACT US