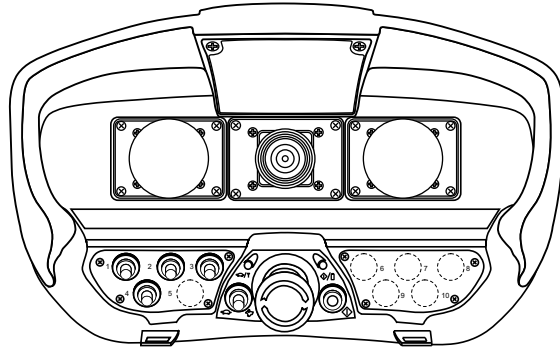
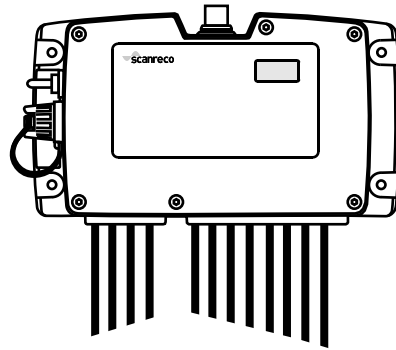


PORTABLE
CONTROL
UNIT
Type 48800



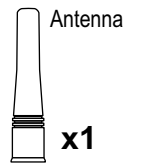
CENTRAL
UNIT G2B
Type 2010



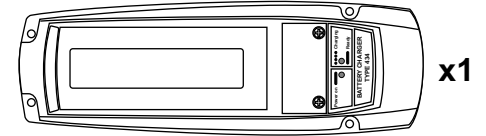
Power supply
AUX

Danfoss proportional
modules output with
AMP connectors

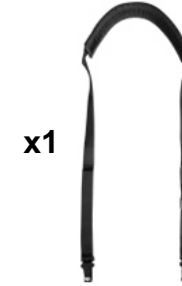
Battery



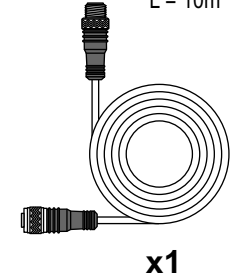
Battery charger 12/24Vdc



Neck belt



Programming cable
L = 10m



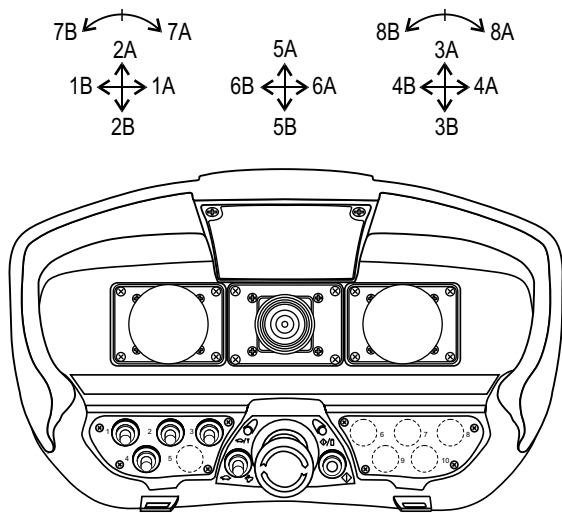
Manual & Documents



ACCESSORIES

0	03/08/2020	Emissione	2	1
Rev.	Date	Description	FM	Designed

		CODE: PR6MBE38RSSEOA1
		CUST. CODE: XXXXX
DESC: Scanreco RC400 G2B radio remote control global view with maxi PCU and Danfoss outputs		
FILE: ...I\OK Polonia\Radio\G2B\2010 Amp maxi 3-2-3\PR6MBE38RSSEOA1-0.cdr		
DATE: 03/08/20	REV. 0	SHEET 1 OF 3



Switch connections

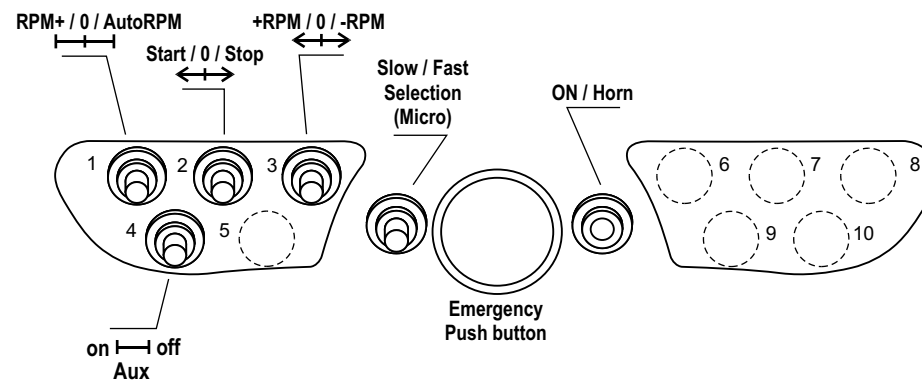
	left/up	center	right/down
SW1:	1 - 0 - 8		
SW2:	2 > 0 < 3		
SW3:	4 > 0 < 5		
SW4:	9 - 0		

||| - = detent
 <-> >/< = spring return

Outputs map

pos	DF	OUT	pos	DF	OUT
1	1	1	11	10	12
2	3	2	12	11	13
3	4	3	13	12	14
4	7	4	14	13	-
5	31	5	15	9	-
6	5	6	16	8	-
7	32	-	17	37	-
8	2	9	18	34	-
9	6	10	19	35	-
10	33	11	20	36	-

Clacson/Horn	17	7
Emergency Stop	40	8



PCU configuration:

- PCU off time = 5 min.
- Disconnect LED activated.
- 5 levels of speed reduction active (Micro).

CU configuration:

- CAN bus:
 - ID 100
 - Baud rate 250Kbps.
 - Slave.
 - CAN filter active.
 - Error Frame control not active.
 - Termination not active.
- Danfoss modules with single supply.
- Two SETs of speed:
 - SET1 multifunzione.
 - SET2 monofunzione with reduced speed (WMB mode = work man basket).
 - SET2 is selected when Ex1.10 wire is not connected to Ex1.11 wire).
 - Zero position requested for levers to come back from SET2 to SET1.
- Functions 2A and 4A are blocked when input Din1 (wire Ex1.8) is not connected to positive.
- Function 3A is blocked when input Din2 (wire Ex1.9) is not connected to positive.
- Function 3B is blocked when input Din4 (wire Ex2.8) is not connected to positive.
- Zero position requested for levers to release the blocks.

Digital outputs:

- Maximum current: 1.8A.
- Emergency stop output (Out8): positive when PCU is connected with the CU.

DV output:

- Activated with proportional Levers/Joysticks.
- Maximum current: 2A.
- DV delay off: 0.5 sec.

Proportional outputs:

- Ratiometric, range 25-50-75% of the supply voltage.
- A direction: from 50% to 25%.
- B direction: from 50% to 75%.

General information:

- The programming cable is used to bypass radio mode or to program the radio remote control.
- Working frequency (Europe): 433.050 - 434.750 MHz.
- For all other radio remote control information, see the "User manual".

AutoRPM working switch description:

- When SW1 is on RPM+ (left position) output Out1 remains always ON.
- When SW1 is on AutoRPM (right position) output Out9 is ON while output Out1 turns ON only when a proportional lever is not in center. Out1 turns OFF with a 6 seconds delay after all levers have returned in center.
- When SW1 is on neutral position, outputs Out1 and Out9 are always off.

Note di produzione:

Pulsantiera:

- Tempo di spegnimento pulsantiera = 5 min.
- 5 livelli Micro.
- Disconnect LED attivo.

Unità Centrale:

- SET1 multifunzione e SET2 monofunzione.
- Ritardo spegnimento DV 0.5 sec.
- Alimentazione singola moduli Danfoss.
- Funzioni 2A e 4A bloccate quando Din1 (Ex1.8) non è collegato al positivo.
- Funzione 3A bloccata quando Din2 (Ex1.9) non è collegato al positivo.
- Funzione 3B bloccata quando Din4 (Ex2.8) non è collegato al positivo.
- Richieste leve a zero per rilasciare i blocchi.

CAN bus:

- TPDO1 prelevato a valle.
- TPDO3 non attivo.
- Mappatura standard bit1-32.
- Terminazione non attiva.
- Error frame disabilitato.
- CAN filter attivo.
- Slave.

SW CU: FS51734D

FW: UC 2.40, PCU 1.40 o superiori

		CODE: PR6MBE38RSSEO1
		CUST. CODE: XXXXX
DESC: Scanreco maxi PCU configuration and function description.		
FILE: ...I\OK Polonia\Radio\G2B\2010 Amp maxi 3-2-3\PR6MBE38RSSEO1-0.cdr		
DATE: 03/08/20	REV. 0	SHEET 2 OF 3

Conn. K4	Cable	Description
K4.1	Ex1.1	Out1
K4.2	Ex1.2	Out2
K4.3	Ex1.3	Out3
K4.4	Ex1.4	Out4
K4.5	Ex1.5	Out5
K4.6	Ex1.6	Out6
K4.7	Ex1.7	GND
K4.8	Ex1.8	Din1
K4.9	Ex1.9	Din2
K4.10	Ex1.10	Din3
K4.11	Ex1.11	+Vdc in Remote

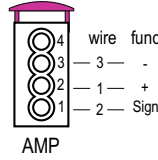
Conn. K6	Cable	Description
K6.1	Ex2.1	Out7
K6.2	Ex2.2	Out8
K6.3	Ex2.3	Out9
K6.4	EX2.4	Out10
K6.5	Ex2.5	GND
K6.6	Ex2.6	Out11
K6.7	Ex2.7	Out12
K6.8	Ex2.8	Out13/Din4
K6.9	Ex2.9	Out14/Serial
K6.10	Ex2.10	GND

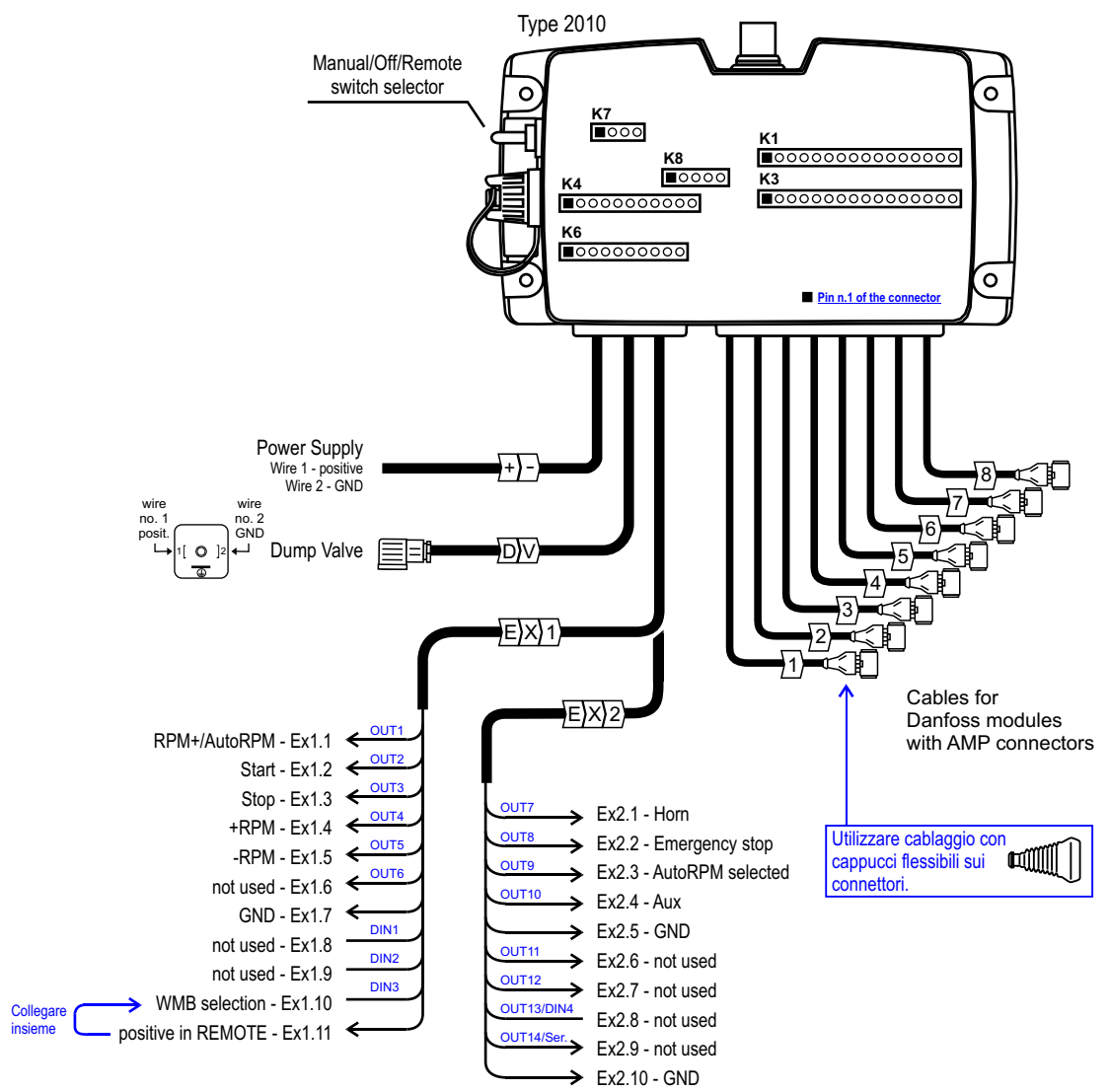
Conn. K7	Cable	Description
K7.1	+/-1	+ 12/24Vdc
K7.2	+/-2	GND
K7.3	DV.1	+ Dump valve
K7.4	DV.2	GND


Conn. K8	Cable	Description
K8.1	-	CAN-H
K8.2	-	CAN-L
K8.3	-	CAN-GND
K8.4	-	CAN-H
K8.5	-	CAN-L

	Conn. K1	Cable	Description
Function no.1	K1.1	1.1	Power 1
	K1.2	1.2	Signal 1
	K1.3	1.3(YG)	GND
	K1.4	-	-
Function no.2	K1.5	2.1	Power 2
	K1.6	2.2	Signal 2
	K1.7	2.3(YG)	GND
	K1.8	-	-
Function no.3	K1.9	3.1	Power 3
	K1.10	3.2	Signal 3
	K1.11	3.3(YG)	GND
	K1.12	-	-
Function no.4	K1.13	4.1	Power 4
	K1.14	4.2	Signal 4
	K1.15	4.3(YG)	GND
	K1.16	-	-

	Conn. K3	Cable	Description
Function no.5	K3.1	5.1	Power 5
	K3.2	5.2	Signal 5
	K3.3	5.3(YG)	GND
	K3.4	-	-
Function no.6	K3.5	6.1	Power 6
	K3.6	6.2	Signal 6
	K3.7	6.3(YG)	GND
	K3.8	-	-
Function no.7	K3.9	7.1	Power 7
	K3.10	7.2	Signal 7
	K3.11	7.3(YG)	GND
	K3.12	-	-
Function no.8	K3.13	8.1	Power 8
	K3.14	8.2	Signal 8
	K3.15	8.3(YG)	GND
	K3.16	-	-

Wiring harness code/length		Prop . connection
Wiring code: 47752	Wiring code: 47753	
+/- - 2,35m DV - 1,9m EX1 - 2,9m EX2 - 2,9m	Proport. outputs - 1,8m	



		CODE: PR6MBE38RSSEA1
		CUST. CODE: XXXXX
DESC: Connections for Danfoss central unit with wirings and AMP connectors.		
FILE: ...I0K PoloniaRadiciG2BI2010 Amp maxi 3-2-3IPR6MBE38RSSEA1-0.cdr		
DATE: 03/08/20	REV. 0	SHEET 3 OF 3