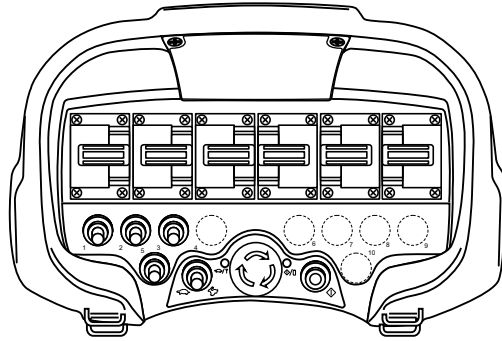
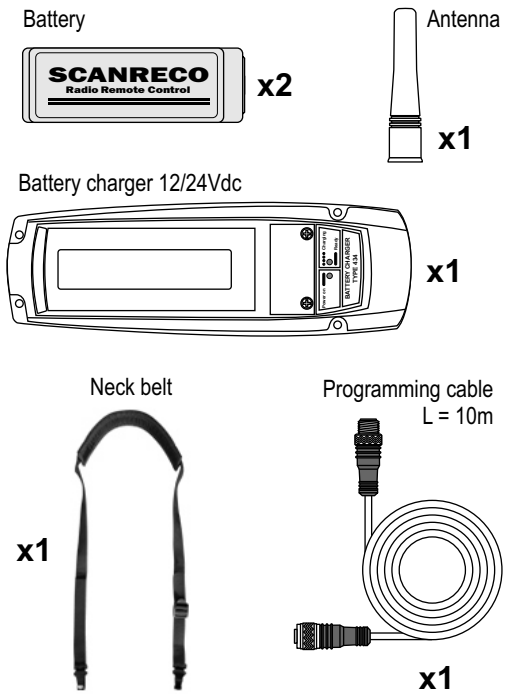
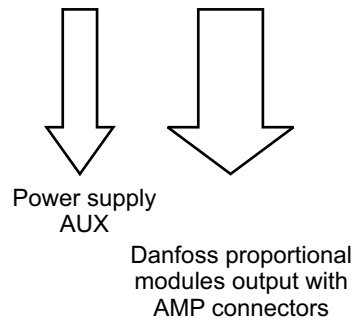
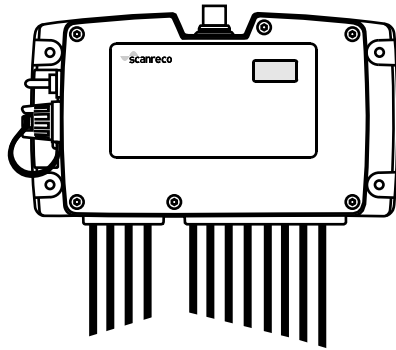


PORTABLE  
CONTROL  
UNIT  
Type 48669



CENTRAL  
UNIT G2B  
Type 2010



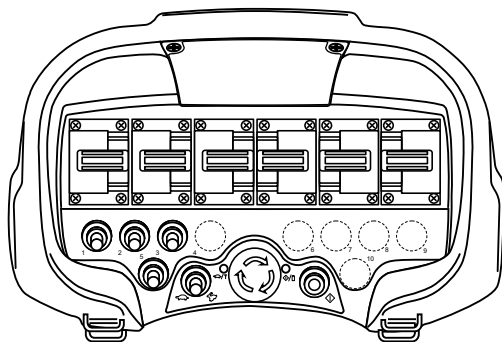
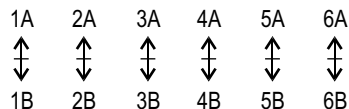
Manual & Documents



**ACCESSORIES**

0	13/05/2019	Emissione		
Rev.	Date	Description		
		FM	2	1
		Designed		

		CODE: <b>PR5MBE36SSSEOA8</b> CUST. CODE: XXXXX
DESC: Scanreco RC400 G2B radio remote control global view with mini PCU and Danfoss outputs		
FILE: ...PK Polonia\Radio\G2B\2010 Amp mini 6L\PR5MBE36SSSEOA8-0.cdr		
DATE: 13/05/19	REV. 0	SHEET 1 OF 3

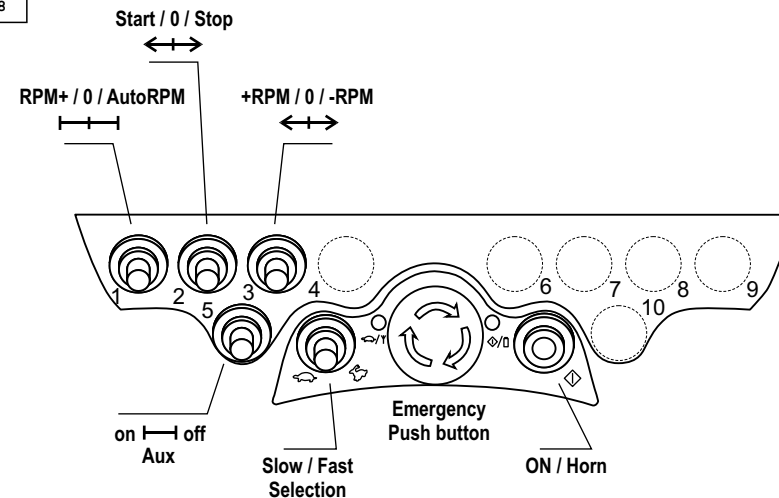


Switch connections

	left/up	center	right/down
SW1 :	1 - 0 - 8		
SW2 :	2 > 0 < 3		
SW3 :	4 > 0 < 5		
SW5 :	9+6 - 0		
⏏	- = detent		
↔	>/< = spring return		

Outputs map

pos	DF	OUT	pos	DF	OUT
1	1	1	11	10	-
2	3	2	12	11	-
3	4	3	13	12	-
4	7	4	14	13	-
5	31	5	15	9	-
6	5	-	16	8	-
7	32	-	17	37	-
8	2	9	18	34	-
9	6	10	19	35	-
10	33	-	20	36	-
Clacson/Horn			17	7	
Emergency Stop			40	8	



**PCU configuration:**

- PCU off time = 5 min.
- Disconnect LED activated.
- 5 levels of speed reduction active (Micro).

**CU configuration:**

- CAN bus: ID 100, Baud rate 250Kbps, Slave, CAN filter active, Error Frame control not active, Termination not active.
- Danfoss modules with single supply.
- Two SETs of speed: SET1 multifunction, SET2 monofunction with reduced speed (WMB mode = work man basket). SET2 is selected when Ex1.10 wire is not connected to Ex1.11 wire.
- Zero position requested for levers to come back from SET2 to SET1.
- Functions 1 and 6 proportional.
- Functions 2 and 3 on/off, I<sub>max</sub>=1800mA.
- Functions 4 and 5 on/off, I<sub>max</sub>=1000mA.
- When Ex1.8 wire (Din1) is not connected to positive, functions 2A and 4A are blocked.
- When Ex1.9 wire (Din2) is not connected to positive, function 3A is blocked.

When Ex1.8 wire (Din4) is not connected to positive, function 3B is blocked.  
Zero position requested for levers to release the blocks.

**Digital outputs:**

- Maximum current: 1.8A.
- Emergency stop output (Out8): positive when PCU is connected with CU.

**DV output:**

- Activated with proportional Levers/Joysticks.
- Maximum current: 2A.
- DV delay off: 0.5 sec.

**Proportional outputs:**

Ratiometric, range 25-50-75% of the supply voltage.  
A direction: from 50% to 25%.  
B direction: from 50% to 75%.

**General information:**

- The programming cable is used to bypass radio mode or to program the radio remote control.
- Working frequency (Europe): 433.050 - 434.750 MHz.
- For all other radio remote control information, see the "User manual".

**AutoRPM working switch description:**

When SW1 is on +RPM (left position) output Out1 remains always ON.  
When SW1 is on AutoRPM (right position) output Out9 is ON while output Out1 turns ON only when a proportional lever is not in center. Out1 turns OFF with

a 6 seconds delay after all levers have returned in center.  
When SW1 is on neutral position, outputs Out1 and Out9 are always off.

**Note di produzione:**

**Pulsantiera:**

Tempo di spegnimento pulsantiera = 5 min.  
5 livelli Micro.  
Disconnect LED attivo.

**Unità Centrale:**

SET1 multifunzione e SET2 monofunzione.  
Ritardo spegnimento DV 0.5 sec.  
Alimentazione singola moduli Danfoss.  
Funzioni 4-5-7-8 senza ritardo di spegnimento sull'alimentazione del modulo Danfoss.  
Funzioni 1 e 6 proporzionali.  
Funzioni 2-3-4-5 on/off.  
Blocco funz. 2A e 4A quando Din1=0.  
Blocco funz. 3A quando Din2=0.  
Blocco funz. 3B quando Din4=0.  
Non richieste leve a zero per rilasciare i blocchi.  
Isolare all'interno dell'UC i fili Ex1.6, Ex2.6, Ex2.7 ed Ex2.9.  
Cavi funz. 2-3-4-5 da modificare solo all'interno dell'UC, il collegamento dei connettori rimane invariato.

**CAN bus:**

TPDO1 prelevato a valle.  
TPDO3 non attivo.  
Mappatura standard bit1-32.  
Terminazione non attiva.  
Error frame disabilitato.  
CAN filter attivo.  
Slave.

SW CU: FS51451D  
FW: UC 2.40, PCU 1.40 o superiori

		CODE: <b>PR5MBE36SSSEO8</b>
		CUST. CODE: XXXXX
DESC: Scanreco mini PCU configuration and function description.		
FILE: ...PK PoloniaRadio\G2B\2010 Amp mini 6L\PR5MBE36SSSEO8-0.cdr		
DATE: <b>13/05/19</b>	REV: <b>0</b>	SHEET <b>2</b> OF <b>3</b>

Conn. K4	Cable	Description
K4.1	Ex1.1	Out1
K4.2	Ex1.2	Out2
K4.3	Ex1.3	Out3
K4.4	Ex1.4	Out4
K4.5	Ex1.5	Out5
K4.6	2.2	Out6
K4.7	Ex1.7	GND
K4.8	Ex1.8	Din1
K4.9	Ex1.9	Din2
K4.10	Ex1.10	Din3
K4.11	Ex1.11	+Vdc in Remote

F. 2A

Conn. K6	Cable	Description
K6.1	Ex2.1	Out7
K6.2	Ex2.2	Out8
K6.3	Ex2.3	Out9
K6.4	EX2.4	Out10
K6.5	Ex2.5	GND
K6.6	2.1	Out11
K6.7	3.2	Out12
K6.8	Ex2.8	Out13/Din4
K6.9	3.1	Out14/Serial
K6.10	Ex2.10	GND

F. 2B

F. 3A

F. 3B

Conn. K7	Cable	Description
K7.1	+/-1	+ 12/24Vdc
K7.2	+/-2	GND
K7.3	DV.1	+ Dump valve
K7.4	DV.2	GND

Conn. K8	Cable	Description
K8.1	-	CAN-H
K8.2	-	CAN-L
K8.3	-	CAN-GND
K8.4	-	CAN-H
K8.5	-	CAN-L

	Conn. K1	Cable	Description
Function no.1	K1.1	1.1	Power 1
	K1.2	1.2	Signal 1
	K1.3	1.3(YG)	GND
	K1.4	-	-
Function no.2	K1.5	-	Power 2
	K1.6	-	Signal 2
	K1.7	2.3(YG)	GND
	K1.8	-	-
Function no.3	K1.9	-	Power 3
	K1.10	-	Signal 3
	K1.11	3.3(YG)	GND
	K1.12	-	-
Function no.4	K1.13	4.2	Power 4
	K1.14	-	Signal 4
	K1.15	4.3(YG)	GND
	K1.16	-	-

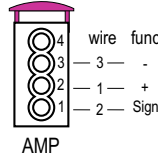
F. 4A

	Conn. K3	Cable	Description
Function no.5	K3.1	5.2	Power 5
	K3.2	-	Signal 5
	K3.3	5.3(YG)	GND
	K3.4	-	-
Function no.6	K3.5	6.1	Power 6
	K3.6	6.2	Signal 6
	K3.7	6.3(YG)	GND
	K3.8	-	-
Function no.7	K3.9	4.1	Power 7
	K3.10	-	Signal 7
	K3.11	-	GND
	K3.12	-	-
Function no.8	K3.13	5.1	Power 8
	K3.14	-	Signal 8
	K3.15	-	GND
	K3.16	-	-

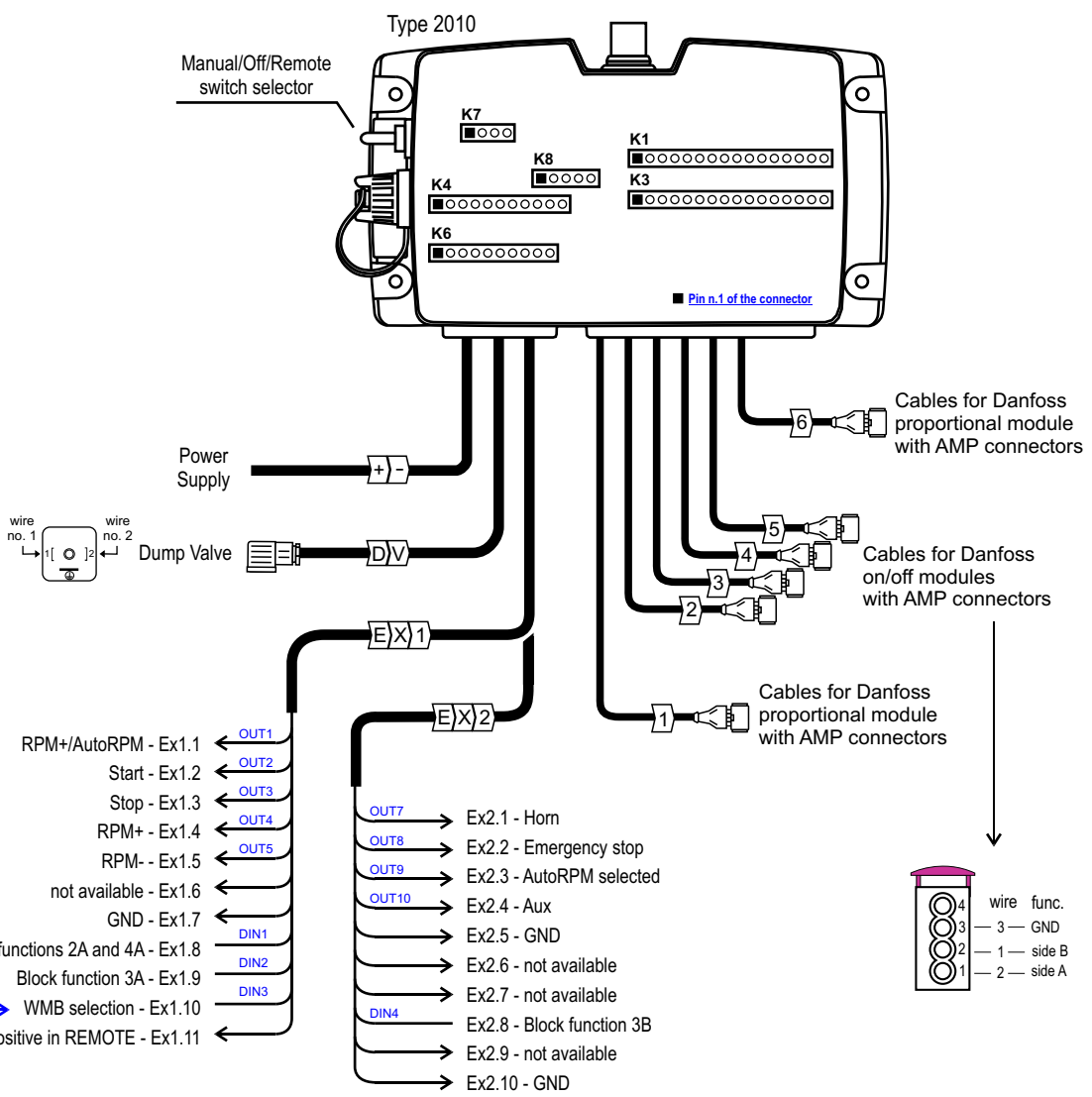
F. 5A

F. 4B


F. 5B

Wiring harness code/length		Prop . connection
Wiring code: 47752 (modif.)	Wir.: F2000150293 (modif.)	
+/- - 2,35m DV - 1,9m EX1 - 2,9m EX2 - 2,9m	Proport. outputs - 1,8m	

Collegare insieme → WMB selection - Ex1.10 positive in REMOTE - Ex1.11



- OUT1 → RPM+/AutoRPM - Ex1.1
  - OUT2 → Start - Ex1.2
  - OUT3 → Stop - Ex1.3
  - OUT4 → RPM+ - Ex1.4
  - OUT5 → RPM- - Ex1.5
  - not available - Ex1.6
  - DIN1 → GND - Ex1.7
  - DIN2 → Block functions 2A and 4A - Ex1.8
  - DIN3 → Block function 3A - Ex1.9
  - WMB selection - Ex1.10
  - positive in REMOTE - Ex1.11
- OUT7 → Ex2.1 - Horn
  - OUT8 → Ex2.2 - Emergency stop
  - OUT9 → Ex2.3 - AutoRPM selected
  - OUT10 → Ex2.4 - Aux
  - Ex2.5 - GND
  - Ex2.6 - not available
  - Ex2.7 - not available
  - DIN4 → Ex2.8 - Block function 3B
  - Ex2.9 - not available
  - Ex2.10 - GND

		CODE: <b>PR5MBE36SSSEOA8</b>
		CUST. CODE: XXXXX
DESC: Connections for Danfoss central unit with wirings and AMP connectors.		
FILE: ...PK PoloniaRadio\G2B\2010 Amp mini 6L\PR5MBE36SSSEOA8-0.cdr		
DATE: 13/05/19	REV. 0	SHEET 3 OF 3