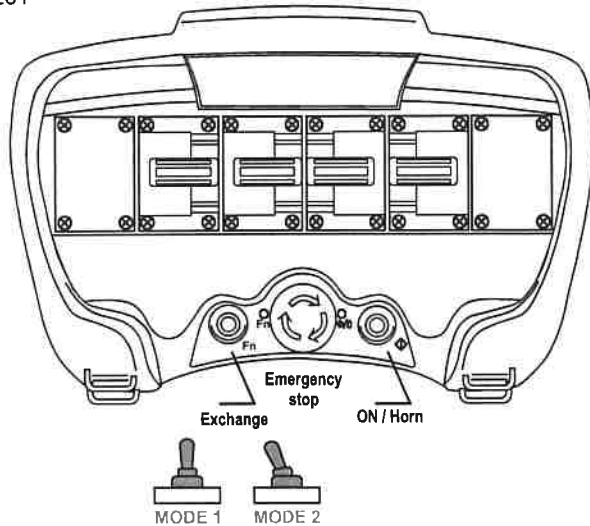
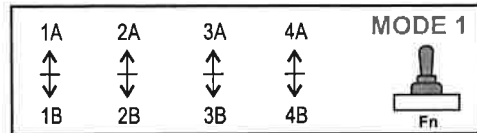


Portable control unit

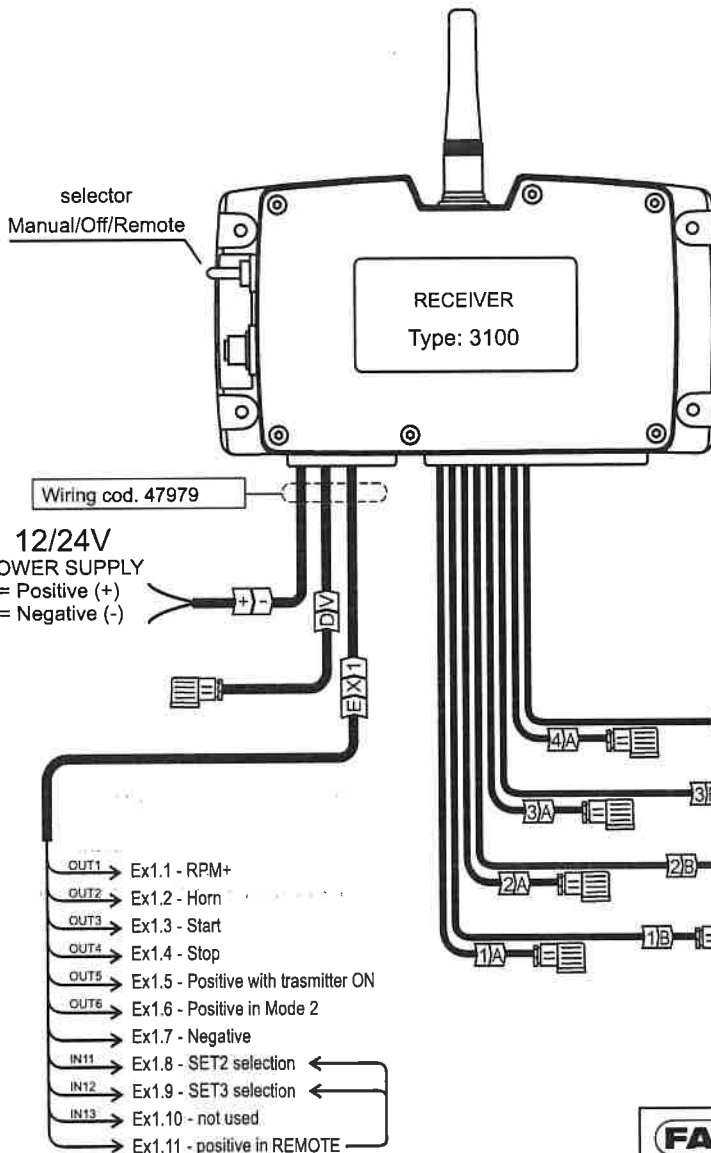
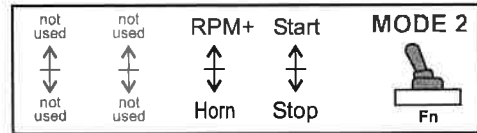
Type: 48261



Proportional commands



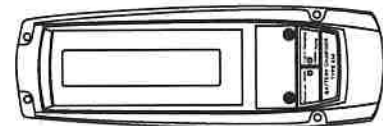
ON/OFF commands



Rechargeable battery



Battery charger



Pairing Plug p/n: 48118



Proportional PWM outputs with Din connectors



Push-Pull NEM connector orientation



standard connector orientation

B=Crane
C=Monofunction
1=12Vdc
2=24Vdc

Disconnecting the wire Ex1.8 select the SET2 (single-function mode).
Disconnecting the wire Ex1.9 select the SET3 (multi-function mode).
Per codice B collegare assieme i fili 8 9 e 11.

When the SET2 and SET3 (reduced speed) is not used keep connected the wires Ex1.8 and EX1.9 to positive (Ex1.11).

FABERCOM	CODICE:	PR4MxOy4X
DESC: Vista generale radiocomando Scanreco G4 per impianto multifunzione 4f proporzionale		
FILE: ...Radio_Scanreco\G4\Produzione\Executive\PR4MxOy4X.cdr		
DATA: 08/02/16	FOGLIO 1	DI 1