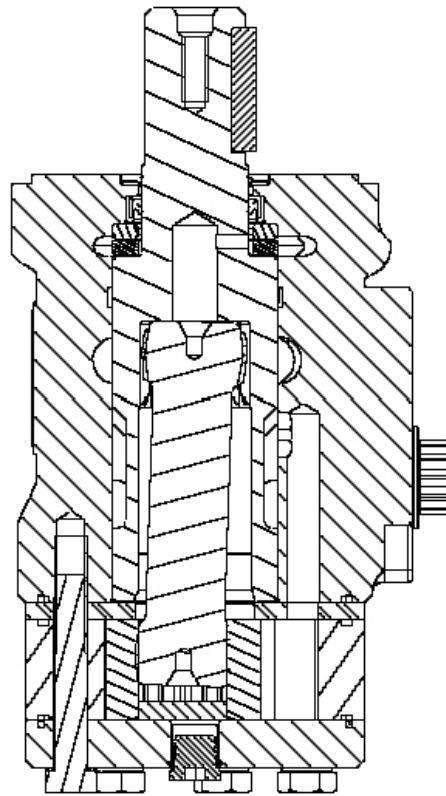
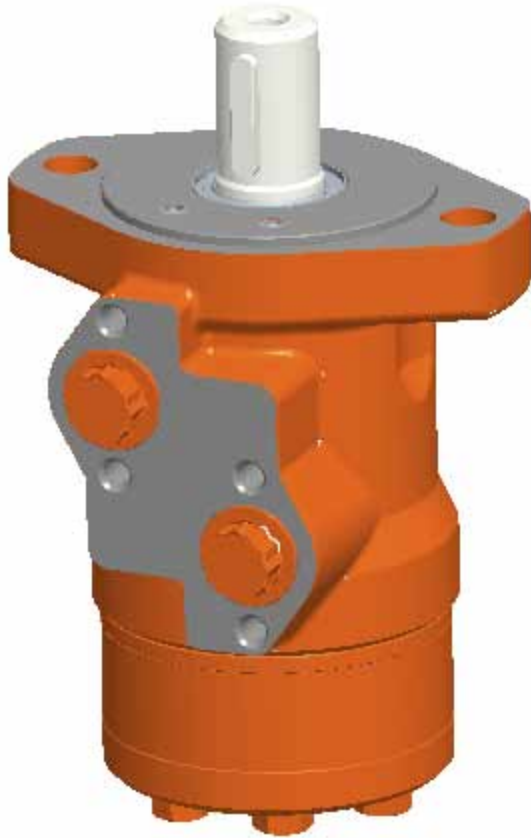


KP
SERIES HYDRAULIC MOTORS



SPECIFICATIONS

Intermittent Ratings - 10% of Operation Peak Ratings - 1% of Operation

CODE	Displacement cc [in ³ /rev]	Max. Speed rpm		Max. Flow lpm [gpm]		Max. Torque Nm [lb-in]		Max. Pressure bar [psi]		
		cont.	inter.	cont.	inter.	cont.	inter.	cont.	inter.	peak
025	25 [1.5]	1570	1687	40 [11]	45 [12]	35 [310]	48 [425]	100 [1450]	140 [2030]	225 [3260]
032	32 [2.0]	1550	1674	50 [13]	55 [15]	45 [398]	57 [504]	100 [1450]	140 [2030]	225 [3260]
040	40 [2.5]	1471	1670	60 [16]	70 [19]	65 [575]	74 [655]	100 [1450]	140 [2030]	225 [3260]
050	50 [3.0]	1208	1500	60 [16]	75 [20]	91 [805]	108 [956]	140 [2030]	175 [2540]	240 [3480]
060	59 [3.6]	1185	1271	60 [16]	75 [20]	125 [1106]	136 [1204]	160 [2320]	175 [2540]	240 [3480]
080	78 [4.8]	896	960	60 [16]	75 [20]	164 [1451]	183 [1620]	160 [2320]	175 [2540]	240 [3480]
100	96 [5.9]	728	780	60 [16]	75 [20]	195 [1726]	213 [1885]	160 [2320]	175 [2540]	240 [3480]
125	125 [7.6]	559	599	60 [16]	75 [20]	258 [2285]	278 [2460]	160 [2320]	175 [2540]	240 [3480]
160	154 [9.4]	452	483	60 [16]	75 [20]	321 [2840]	362 [3205]	160 [2320]	175 [2540]	240 [3480]
200	190 [11.6]	367	385	60 [16]	75 [20]	380 [3365]	420 [3720]	150 [2180]	175 [2540]	240 [3480]
250	240 [14.6]	291	312	60 [16]	75 [20]	445 [3940]	557 [4930]	140 [2030]	175 [2540]	240 [3480]
315	303 [18.5]	228	245	60 [16]	75 [20]	460 [4071]	602 [5330]	120 [1740]	160 [2320]	200 [2900]
400	388 [23.7]	155	189	60 [16]	75 [20]	488 [4320]	625 [5532]	95 [1380]	125 [1810]	180 [2610]

025

Pressure - bars [psi]	Max. Cont.	Max. Inter.
30 [435] 60 [870] 80 [1160]	100 [1450]	120 [1740] 140 [2030]

25 cc [1.5 in³/rev.]

Max. Max. Inter. Cont.	Flow - lpm [gpm]	5 [1.3]
	10 [2.6]	
	15 [4.0]	
	20 [5.3]	
	25 [6.6]	
	30 [7.9]	
	35 [9.2]	
	40 [10.6]	
	45 [11.9]	

Torque - Nm [lb-in], Speed rpm		Intermittent Ratings - 10% of Operation			
9 [80]	18 [159]	25 [221]	32 [283]	35 [664]	
186	160	134	101	106	
10 [88]	18 [159]	26 [230]	34 [301]	37 [690]	48 [425]
386	352	323	280	255	210
9 [80]	19 [168]	26 [230]	35 [310]	38 [690]	44 [389]
568	537	505	467	431	390
8 [71]	19 [168]	25 [221]	33 [292]	39 [681]	45 [398]
777	736	692	660	608	566
7 [62]	18 [159]	26 [230]	32 [283]	39 [646]	45 [398]
972	920	870	840	803	756
6 [53]	17 [150]	25 [221]	32 [283]	39 [602]	44 [389]
1167	1122	1088	155	998	976
5 [44]	16 [142]	24 [212]	31 [274]	37 [566]	43 [381]
1360	1318	1282	1258	1216	1160
5 [44]	15 [133]	22 [195]	31 [274]	36 [513]	41 [363]
1570	1503	1476	1432	1394	1359
	13 [115]	20 [177]	28 [248]	34 [496]	39 [345]
	1687	1636	1600	1558	1516

200	Theoretical rpm
400	
600	
800	
1000	
1200	
1400	
1600	
1800	

Overall Efficiency - 70 - 100% 40 - 69% 0 - 39%

Theoretical Torque - Nm [lb-in]

12 [106]	24 [211]	32 [282]	40 [352]	48 [423]	56 [493]
----------	----------	----------	----------	----------	----------

Displacement tested at 45°C [113°F] with an oil viscosity of 46cSt [213 SUS]

032

Pressure - bars [psi]	Max. Cont.	Max. Inter.
30 [435] 60 [870] 80 [1160]	100 [1450]	120 [1740] 140 [2030]

32 cc [2.0 in³/rev.]

Max. Max. Inter. Cont.	Flow - lpm [gpm]	5 [1.3]
	10 [2.6]	
	15 [4.0]	
	20 [5.3]	
	25 [6.6]	
	30 [7.9]	
	35 [9.2]	
	40 [10.6]	
	45 [11.9]	
	50 [13.2]	
	55 [14.5]	

Torque - Nm [lb-in], Speed rpm		Intermittent Ratings - 10% of Operation			
11 [97]	24 [212]	35 [310]	37 [327]		
149	135	114	94		
12 [106]	27 [239]	37 [327]	43 [381]	46 [407]	56 [496]
308	284	270	250	240	211
11 [97]	26 [230]	36 [319]	45 [398]	48 [425]	57 [504]
465	444	429	398	378	355
10 [88]	25 [221]	35 [310]	44 [389]	46 [407]	56 [496]
624	589	575	557	544	524
9 [80]	24 [212]	34 [301]	42 [372]	45 [398]	54 [478]
780	771	751	735	719	695
8 [71]	23 [204]	32 [283]	40 [354]	45 [398]	52 [460]
931	908	895	876	857	822
7 [62]	20 [177]	29 [257]	39 [345]	43 [381]	51 [451]
1086	1066	1051	1030	1012	981
7 [62]	19 [168]	27 [239]	38 [336]	43 [381]	50 [442]
1240	1212	1190	1178	1145	1121
6 [53]	18 [159]	26 [230]	35 [310]	42 [372]	48 [425]
1400	1382	1366	1340	1314	1280
5 [44]	16 [142]	24 [212]	31 [274]	40 [354]	46 [407]
1550	1526	1500	1478	1452	1418
	12 [106]	20 [177]	28 [248]	34 [301]	39 [345]
	1674	1641	1617	1584	1555

156	Theoretical rpm
313	
469	
625	
781	
938	
1094	
1250	
1406	
1563	
1719	

Overall Efficiency - 70 - 100% 40 - 69% 0 - 39%

Theoretical Torque - Nm [lb-in]

15 [135]	31 [271]	41 [361]	51 [451]	61 [541]	71 [631]
----------	----------	----------	----------	----------	----------

Displacement tested at 45°C [113°F] with an oil viscosity of 46cSt [213 SUS]



PERFORMANCE



040

Pressure - bars [psi]				Max. Cont.	Max. Inter.
30 [435]	60 [870]	80 [1160]	100 [1450]	120 [1740]	140 [2030]

40 cc [2.5 in³/rev.]

Max. Max. Inter. Cont.	Flow - lpm [gpm]	5 [1.3]
	10 [2.6]	
	20 [5.3]	
	30 [7.9]	
	40 [10.6]	
	50 [13.2]	
	60 [15.8]	
	70 [18.5]	

Torque - Nm [lb-in], Speed rpm		Intermittent Ratings - 10% of Operation				
15 [133]	31 [274]	38 [336]	48 [425]	56 [496]		
113	98	83	60	48		
14 [124]	31 [274]	41 [363]	54 [478]	62 [549]	70 [619]	
238	222	204	182	161	114	
13 [115]	32 [283]	41 [363]	53 [469]	65 [575]	74 [655]	
482	458	442	423	402	381	
12 [106]	30 [265]	39 [345]	51 [451]	63 [558]	74 [655]	
730	704	687	668	646	624	
10 [88]	27 [239]	39 [345]	51 [451]	61 [540]	72 [637]	
968	949	928	908	892	870	
7 [62]	25 [221]	37 [327]	49 [434]	59 [522]	71 [628]	
1219	1191	1173	1150	1127	1107	
4 [35]	23 [204]	34 [301]	46 [407]	56 [496]	68 [602]	
1471	1428	1411	1387	1369	1341	
	16 [142]	30 [265]	41 [363]	52 [460]	64 [566]	
	1670	1653	1627	1612	1598	

125	Theoretical rpm
250	
500	
750	
1000	
1250	
1500	
2000	

Overall Efficiency - 70 - 100% 40 - 69% 0 - 39%

Theoretical Torque - Nm [lb-in]					
19 [168]	38 [336]	50 [442]	64 [566]	76 [673]	89 [788]

Displacement tested at 45°C [113°F] with an oil viscosity of 46cSt [213 SUS]

050

Pressure - bars [psi]				Max. Cont.	Max. Inter.
30 [435]	60 [870]	80 [1160]	100 [1450]	120 [1740]	140 [2030]
				160 [2320]	175 [2540]

50 cc [3.0 in³/rev.]

Max. Max. Inter. Cont.	Flow - lpm [gpm]	5 [1.3]
	10 [2.6]	
	20 [5.3]	
	30 [7.9]	
	40 [10.6]	
	50 [13.2]	
	60 [15.8]	
	75 [19.8]	

Torque - Nm [lb-in], Speed rpm		Intermittent Ratings - 10% of Operation						
19 [168]	39 [345]	48 [425]	62 [549]	75 [664]				
100	85	75	64	48				
20 [177]	38 [336]	50 [442]	63 [558]	78 [690]	92 [814]	102 [903]	107 [947]	
197	196	174	159	146	127	101	97	
18 [159]	38 [336]	52 [460]	64 [566]	78 [690]	90 [796]	104 [920]	108 [956]	
400	386	371	355	341	314	292	290	
15 [133]	37 [327]	50 [442]	64 [566]	77 [681]	89 [788]	103 [912]	107 [947]	
600	585	571	560	540	516	499	495	
12 [106]	31 [274]	45 [398]	59 [522]	73 [646]	87 [770]	99 [876]	106 [938]	
808	800	790	770	766	733	703	697	
9 [80]	27 [239]	41 [363]	55 [487]	68 [602]	84 [743]	98 [867]	105 [929]	
1009	1006	986	982	964	956	930	872	
6 [53]	24 [212]	37 [327]	53 [469]	64 [566]	82 [726]	95 [841]	102 [903]	
1208	1200	1196	1188	1176	1160	1140	963	
3 [27]	17 [150]	32 [283]	44 [389]	58 [513]	80 [708]	93 [823]	98 [867]	
1410	1396	1382	1370	1358	1347	1334	1315	
	15 [133]	30 [265]	40 [354]	56 [496]	77 [681]	88 [779]	93 [823]	
	1500	1488	1473	1457	1439	1412	1388	

101	Theoretical rpm
202	
404	
606	
808	
1010	
1212	
1414	
1515	

Overall Efficiency - 70 - 100% 40 - 69% 0 - 39%

Theoretical Torque - Nm [lb-in]							
24 [212]	47 [416]	63 [558]	79 [699]	95 [841]	110 [973]	126 [1115]	138 [1221]

Displacement tested at 45°C [113°F] with an oil viscosity of 46cSt [213 SUS]

060

Pressure - bars [psi]							Max. Cont.	Max. Inter.
30 [435]	60 [870]	80 [1160]	100 [1450]	120 [1740]	140 [2030]	160 [2320]	175 [2540]	

59 cc [3.6 in³/rev.]

Torque - Nm [lb-in], Speed rpm Intermittent Ratings - 10% of Operation

Max. Cont.	Flow - lpm [gpm]	5 [1.3]	10 [2.6]	20 [5.3]	30 [7.9]	40 [10.6]	50 [13.2]	60 [15.8]	70 [18.5]	75 [19.8]	Theoretical rpm	
	20 [177]	46 [407]	65 [575]	80 [708]	95 [841]	112 [991]						85
	22 [195]	47 [416]	66 [584]	81 [717]	96 [850]	113 [1000]	125 [1106]	136 [1204]				170
	20 [177]	45 [398]	64 [566]	80 [708]	93 [823]	111 [982]	123 [1088]	134 [1186]				339
	17 [150]	43 [381]	62 [549]	76 [673]	89 [788]	109 [965]	121 [1071]	131 [1159]				509
	14 [124]	41 [363]	58 [513]	73 [646]	87 [770]	105 [929]	117 [1035]	127 [1124]				678
	10 [88]	37 [327]	55 [487]	70 [619]	84 [743]	102 [903]	113 [1000]	122 [1080]				848
	7 [62]	34 [301]	52 [460]	66 [584]	82 [726]	99 [876]	109 [965]	118 [1044]				1017
	4 [35]	27 [239]	47 [416]	62 [549]	76 [673]	93 [823]	104 [920]	114 [1009]				1186
	22 [195]	43 [381]	58 [513]	73 [646]	86 [761]	100 [885]	110 [973]					1271

Overall Efficiency - 70 - 100% 40 - 69% 0 - 39%

Theoretical Torque - Nm [lb-in]

28 [249]	56 [499]	75 [665]	94 [831]	113 [998]	132 [1164]	150 [1330]	164 [1455]
----------	----------	----------	----------	-----------	------------	------------	------------

Displacement tested at 45°C [113°F] with an oil viscosity of 46cSt [213 SUS]

080

Pressure - bars [psi]							Max. Cont.	Max. Inter.
30 [435]	60 [870]	80 [1160]	100 [1450]	120 [1740]	140 [2030]	160 [2320]	175 [2540]	

78 cc [4.8 in³/rev.]

Torque - Nm [lb-in], Speed rpm Intermittent Ratings - 10% of Operation

Max. Cont.	Flow - lpm [gpm]	5 [1.3]	10 [2.6]	20 [5.3]	30 [7.9]	40 [10.6]	50 [13.2]	60 [15.8]	70 [18.5]	75 [19.8]	Theoretical rpm	
	32 [283]	62 [549]	80 [708]	106 [938]	125 [1106]							64
	31 [274]	64 [566]	84 [743]	104 [920]	120 [1062]	142 [1257]	162 [1434]	175 [1549]				128
	26 [230]	60 [531]	84 [743]	102 [903]	125 [1106]	144 [1274]	164 [1451]	183 [1619]				256
	24 [212]	56 [496]	81 [717]	100 [885]	122 [1080]	142 [1257]	160 [1416]	175 [1549]				385
	19 [168]	53 [469]	75 [664]	96 [850]	118 [1044]	140 [1239]	158 [1398]	170 [1504]				513
	14 [124]	46 [407]	70 [619]	92 [814]	110 [973]	135 [1195]	156 [1381]	168 [1487]				641
	10 [88]	42 [372]	66 [584]	86 [761]	106 [938]	128 [1133]	150 [1327]	164 [1451]				769
	6 [53]	36 [319]	56 [496]	78 [690]	98 [867]	118 [1044]	140 [1239]	160 [1416]				897
	27 [239]	50 [442]	74 [655]	92 [814]	113 [1000]	133 [1177]	148 [1310]					962

Overall Efficiency - 70 - 100% 40 - 69% 0 - 39%

Theoretical Torque - Nm [lb-in]

37 [327]	75 [664]	100 [885]	125 [1106]	149 [1319]	174 [1540]	199 [1761]	218 [1929]
----------	----------	-----------	------------	------------	------------	------------	------------

Displacement tested at 45°C [113°F] with an oil viscosity of 46cSt [213 SUS]



PERFORMANCE



100

Pressure - bars [psi]						Max. Cont.	Max. Inter.
30 [435]	60 [870]	80 [1160]	100 [1450]	120 [1740]	140 [2030]	160 [2320]	175 [2540]

96 cc [5.9 in³/rev.]

Torque - Nm [lb-in], Speed rpm Intermittent Ratings - 10% of Operation

Max. Cont.	Flow - lpm [gpm]	5 [1.3]	43 [381] 51	82 [726] 42	109 [965] 35	131 [1159] 25					Theoretical rpm
		10 [2.6]	43 [381] 99	84 [743] 93	108 [956] 84	133 [1177] 72	152 [1345] 62	180 [1593] 48	197 [1743] 24		
Max. Inter.	Flow - lpm [gpm]	20 [5.3]	41 [363] 205	79 [699] 202	107 [947] 197	127 [1124] 192	154 [1363] 182	178 [1575] 172	200 [1770] 140	212 [1876] 118	104
		30 [7.9]	39 [345] 311	74 [655] 307	101 [894] 301	126 [1115] 294	152 [1345] 283	176 [1558] 271	198 [1752] 258	213 [1885] 240	208
Max. Cont.	Flow - lpm [gpm]	40 [10.6]	29 [257] 413	63 [558] 410	93 [823] 406	121 [1071] 399	150 [1327] 388	172 [1522] 379	195 [1726] 368	208 [1841] 347	313
		50 [13.2]	20 [177] 519	52 [460] 515	85 [752] 510	115 [1018] 503	148 [1310] 492	169 [1496] 480	193 [1708] 464	203 [1796] 446	417
Max. Inter.	Flow - lpm [gpm]	60 [15.8]	17 [150] 624	53 [469] 620	83 [735] 615	111 [982] 608	138 [1221] 600	165 [1460] 582	183 [1619] 565	193 [1708] 548	521
		70 [18.5]	11 [97] 728	42 [372] 726	73 [646] 723	93 [823] 714	126 [1115] 706	159 [1407] 684	172 [1522] 668	183 [1619] 646	625
Max. Inter.	Flow - lpm [gpm]	75 [19.8]	6 [53] 780	35 [310] 771	61 [540] 764	89 [788] 755	118 [1044] 736	145 [1283] 724	156 [1381] 712	176 [1558] 699	729
											781

Overall Efficiency - 70 - 100% 40 - 69% 0 - 39%

Theoretical Torque - Nm [lb-in]

46 [407]	92 [814]	122 [1080]	153 [1354]	183 [1623]	214 [1894]	245 [2168]	268 [2372]
----------	----------	------------	------------	------------	------------	------------	------------

Displacement tested at 45°C [113°F] with an oil viscosity of 46cSt [213 SUS]

125

Pressure - bars [psi]						Max. Cont.	Max. Inter.
30 [435]	60 [870]	80 [1160]	100 [1450]	120 [1740]	140 [2030]	160 [2320]	175 [2540]

125 cc [7.6 in³/rev.]

Torque - Nm [lb-in], Speed rpm Intermittent Ratings - 10% of Operation

Max. Cont.	Flow - lpm [gpm]	5 [1.3]	52 [460] 38	95 [841] 35	135 [1195] 32	168 [1487] 27					Theoretical rpm
		10 [2.6]	50 [442] 78	98 [867] 74	138 [1221] 69	172 [1522] 62	190 [1681] 54	234 [2071] 45	258 [2283] 35		
Max. Inter.	Flow - lpm [gpm]	20 [5.3]	50 [442] 158	96 [850] 152	132 [1168] 144	168 [1487] 135	202 [1788] 124	236 [2088] 110	256 [2265] 94	278 [2460] 78	80
		30 [7.9]	44 [389] 238	92 [814] 232	126 [1115] 225	164 [1451] 215	198 [1752] 210	232 [2053] 198	262 [2319] 168	268 [2372] 155	160
Max. Cont.	Flow - lpm [gpm]	40 [10.6]	35 [310] 319	82 [726] 316	118 [1044] 312	160 [1416] 308	193 [1708] 300	226 [2000] 288	252 [2230] 262	266 [2354] 238	240
		50 [13.2]	31 [274] 399	77 [681] 396	108 [956] 392	155 [1372] 383	182 [1611] 368	220 [1947] 354	238 [2106] 338	262 [2319] 326	320
Max. Inter.	Flow - lpm [gpm]	60 [15.8]	15 [133] 479	64 [566] 478	97 [858] 475	146 [1292] 470	166 [1469] 463	210 [1858] 454	224 [1982] 443	256 [2265] 434	400
		70 [18.5]	8 [71] 559	50 [442] 555	90 [796] 548	140 [1239] 538	162 [1434] 524	204 [1805] 516	209 [1850] 500	236 [2088] 488	480
Max. Inter.	Flow - lpm [gpm]	75 [19.8]		40 [354] 599	71 [628] 594	128 [1133] 588	158 [1398] 576	192 [1699] 565	199 [1761] 536	224 [1982] 524	560
											600

Overall Efficiency - 70 - 100% 40 - 69% 0 - 39%

Theoretical Torque - Nm [lb-in]

60 [531]	119 [1053]	159 [1407]	199 [1761]	239 [2115]	279 [2469]	318 [2814]	348 [3080]
----------	------------	------------	------------	------------	------------	------------	------------

Displacement tested at 45°C [113°F] with an oil viscosity of 46cSt [213 SUS]

160

Pressure - bars [psi]							Max. Cont.	Max. Inter.
30 [435]	60 [870]	80 [1160]	100 [1450]	120 [1740]	140 [2030]	160 [2320]	175 [2540]	

160 cc [9.4 in³/rev.]

Torque - Nm [lb-in], Speed rpm Intermittent Ratings - 10% of Operation

Flow - lpm [gpm]	Torque - Nm [lb-in], Speed rpm								Theoretical rpm
	56 [496]	112 [991]	154 [1363]	201 [1779]					
5 [1.3]	30	25	18	10					32
10 [2.6]	58 [513]	115 [1018]	156 [1381]	205 [1814]	245 [2168]	285 [2522]			65
20 [5.3]	63	60	56	52	48	37			130
30 [7.9]	60 [532]	123 [1089]	162 [1434]	202 [1788]	242 [2142]	282 [2496]	327 [2894]	360 [3186]	194
40 [10.6]	128	125	121	116	110	100	86	78	258
50 [13.2]	50 [443]	117 [1035]	157 [1389]	197 [1743]	238 [2106]	278 [2460]	322 [2850]	358 [3168]	323
60 [15.8]	193	190	187	183	179	173	160	144	387
70 [18.5]	48 [425]	113 [1000]	155 [1372]	195 [1726]	236 [2089]	273 [2416]	318 [2814]	355 [3142]	453
75 [19.8]	257	255	252	248	244	239	224	211	485
	32 [283]	106 [938]	149 [1319]	188 [1664]	235 [2080]	267 [2363]	313 [2770]	352 [3115]	
	323	320	316	312	306	299	288	275	
	23 [204]	88 [779]	133 [1177]	178 [1575]	212 [1876]	260 [2301]	308 [2726]	342 [3027]	
	387	384	380	375	371	366	358	346	
	16 [142]	82 [726]	128 [1133]	170 [1505]	206 [1823]	255 [2257]	302 [2673]	331 [2929]	
	452	451	448	444	436	430	423	412	
	10 [89]	79 [699]	124 [1097]	164 [1451]	201 [1779]	248 [2195]	296 [2620]	319 [2823]	
	483	481	477	472	466	460	450	436	

Overall Efficiency - 70 - 100% 40 - 69% 0 - 39%

Theoretical Torque - Nm [lb-in]

74 [651]	147 [1302]	196 [1736]	245 [2170]	282 [2496]	343 [3038]	392 [3472]	429 [3798]
----------	------------	------------	------------	------------	------------	------------	------------

Displacement tested at 45°C [113°F] with an oil viscosity of 46cSt [213 SUS]

200

Pressure - bars [psi]							Max. Cont.	Max. Inter.
30 [435]	60 [870]	80 [1160]	100 [1450]	115 [1670]	140 [2030]	150 [2180]	175 [2540]	

190 cc [11.6 in³/rev.]

Torque - Nm [lb-in], Speed rpm Intermittent Ratings - 10% of Operation

Flow - lpm [gpm]	Torque - Nm [lb-in], Speed rpm								Theoretical rpm
	75 [664]	158 [1398]	200 [1770]	241 [2133]					
5 [1.3]	25	22	20	10					26
10 [2.6]	78 [690]	160 [1416]	204 [1805]	252 [2230]	291 [2575]	348 [3080]	377 [3336]		53
20 [5.3]	51	49	45	39	35	29	22		105
30 [7.9]	74 [655]	156 [1381]	200 [1770]	246 [2177]	293 [2593]	354 [3133]	380 [3363]	416 [3681]	158
40 [10.6]	104	102	99	95	89	83	76	65	211
50 [13.2]	70 [619]	152 [1345]	196 [1735]	240 [2124]	290 [2566]	352 [3115]	378 [3345]	420 [3717]	263
60 [15.8]	157	155	152	148	143	137	130	118	316
70 [18.5]	65 [575]	147 [1301]	190 [1681]	228 [2018]	286 [2531]	340 [3009]	376 [3327]	418 [3699]	368
75 [19.8]	210	208	205	200	193	186	178	168	395
	54 [478]	142 [1257]	180 [1593]	222 [1965]	277 [2451]	333 [2947]	356 [3150]	402 [3558]	
	262	260	258	254	249	243	235	223	
	36 [319]	128 [1133]	166 [1469]	210 [1858]	266 [2354]	322 [2850]	350 [3097]	400 [3540]	
	315	313	309	305	299	293	284	268	
	15 [133]	102 [903]	158 [1398]	202 [1788]	254 [2248]	302 [2673]	327 [2894]	376 [3327]	
	367	365	362	358	352	336	330	316	
	94 [832]	146 [1292]	194 [1717]	230 [2035]	290 [2566]	317 [2805]	364 [3221]		
	394	390	385	380	374	365	352		

Overall Efficiency - 70 - 100% 40 - 69% 0 - 39%

Theoretical Torque - Nm [lb-in]

91 [803]	182 [1611]	242 [2142]	303 [2677]	348 [3079]	424 [3748]	454 [4016]	529 [4685]
----------	------------	------------	------------	------------	------------	------------	------------

Displacement tested at 45°C [113°F] with an oil viscosity of 46cSt [213 SUS]



PERFORMANCE



250

Pressure - bars [psi]				Max. Cont.		Max. Inter.	
30 [435]	60 [870]	85 [1230]	100 [1450]	125 [1810]	140 [2030]	160 [2320]	175 [2540]

240 cc [14.6 in³/rev.]

Max. Inter.	Flow - lpm [gpm]	Max. Cont.	Speed rpm	Torque - Nm [lb-in]				Theoretical rpm
				30 [435]	60 [870]	85 [1230]	100 [1450]	
	5 [1.3]			89 [788] 19	194 [1717] 16	264 [2336] 10	326 [2885] 6	21
	10 [2.6]			92 [814] 40	196 [1735] 36	268 [2372] 32	329 [2912] 21	42
	20 [5.3]			90 [796] 81	192 [1699] 77	264 [2336] 72	321 [2841] 65	83
	30 [7.9]			86 [761] 124	185 [1637] 121	256 [2265] 115	314 [2779] 106	125
	40 [10.6]			82 [726] 165	179 [1584] 162	248 [2195] 158	305 [2699] 153	167
	50 [13.2]			69 [611] 207	169 [1496] 203	243 [2150] 195	293 [2593] 189	208
	60 [15.8]			48 [425] 250	152 [1345] 247	230 [2035] 243	282 [2496] 236	250
	70 [18.5]			37 [327] 291	139 [1230] 285	219 [1938] 278	263 [2327] 271	292
	75 [19.8]			26 [230] 312	128 [1133] 310	205 [1814] 307	245 [2168] 302	313

Intermittent Ratings - 10% of Operation

Torque - Nm [lb-in]				Max. Cont.		Max. Inter.	
30 [435]	60 [870]	85 [1230]	100 [1450]	125 [1810]	140 [2030]	160 [2320]	175 [2540]

Overall Efficiency - 70 - 100% 40 - 69% 0 - 39%

Theoretical Torque - Nm [lb-in]

115 [1018]	229 [2027]	325 [2875]	382 [3381]	478 [4230]	535 [4735]	611 [5407]	669 [5920]
------------	------------	------------	------------	------------	------------	------------	------------

Displacement tested at 45°C [113°F] with an oil viscosity of 46cSt [213 SUS]

315

Pressure - bars [psi]				Max. Cont.		Max. Inter.	
30 [435]	50 [725]	70 [1015]	85 [1230]	100 [1450]	120 [1740]	140 [2030]	160 [2320]

303 cc [18.5 in³/rev.]

Max. Inter.	Flow - lpm [gpm]	Max. Cont.	Speed rpm	Torque - Nm [lb-in]				Theoretical rpm
				30 [435]	50 [725]	70 [1015]	85 [1230]	
	5 [1.3]			123 [1089] 16	200 [1770] 13	282 [2496] 10	344 [3044] 6	17
	10 [2.6]			117 [1035] 31	194 [1717] 29	277 [2451] 25	342 [3027] 21	33
	20 [5.3]			112 [991] 64	196 [1735] 62	275 [2434] 58	340 [3009] 54	66
	30 [7.9]			104 [920] 98	183 [1620] 94	267 [2363] 90	322 [2850] 85	99
	40 [10.6]			86 [761] 129	168 [1487] 126	252 [2230] 122	304 [2690] 118	132
	50 [13.2]			73 [646] 164	156 [1381] 160	238 [2106] 155	288 [2549] 150	165
	60 [15.8]			60 [531] 195	140 [1239] 192	223 [1974] 188	270 [2390] 183	198
	70 [18.5]			37 [327] 228	122 [1080] 226	186 [1646] 223	254 [2248] 218	231
	75 [19.8]			23 [204] 245	100 [885] 242	174 [1540] 238	237 [2097] 233	248

Intermittent Ratings - 10% of Operation

Torque - Nm [lb-in]				Max. Cont.		Max. Inter.	
30 [435]	50 [725]	70 [1015]	85 [1230]	100 [1450]	120 [1740]	140 [2030]	160 [2320]

Overall Efficiency - 60 - 100% 40 - 59% 0 - 39%

Theoretical Torque - Nm [lb-in]

145 [1283]	241 [2133]	338 [2991]	410 [3628]	482 [4265]	579 [5124]	675 [5973]	772 [6832]
------------	------------	------------	------------	------------	------------	------------	------------

Displacement tested at 45°C [113°F] with an oil viscosity of 46cSt [213 SUS]

400

Pressure - bars [psi]				Max. Cont.		Max. Inter.	
30 [435]	45 [650]	55 [800]	65 [940]	80 [1160]	95 [1380]	110 [1595]	125 [1810]

388 cc [23.7 in³/rev.]

Torque - Nm [lb-in], Speed rpm Intermittent Ratings - 10% of Operation

Flow - lpm [gpm]	Torque - Nm [lb-in], Speed rpm								Theoretical rpm
	144 [1274] 11	220 [1947] 10	270 [2389] 7	338 [2991] 5					
5 [1.3]									13
10 [2.6]	146 [1292] 25	223 [1973] 23	272 [2407] 20	340 [3009] 16	412 [3646] 10	488 [4319] 6			26
20 [5.3]	145 [1283] 51	219 [1938] 50	269 [2381] 48	333 [2347] 45	408 [3611] 40	484 [4283] 35	548 [4850] 27		52
30 [7.9]	138 [1221] 76	215 [1903] 75	262 [2319] 73	322 [2850] 70	402 [3558] 67	472 [4177] 59	546 [4832] 47	625 [5531] 36	77
40 [10.6]	120 [1062] 103	204 [1805] 102	250 [2212] 100	310 [2743] 96	393 [3478] 89	458 [4053] 82	535 [4735] 73	618 [5469] 62	103
50 [13.2]	100 [885] 129	186 [1646] 128	238 [2106] 125	295 [2611] 123	374 [3310] 119	446 [3947] 112	520 [4602] 102	600 [5310] 91	129
60 [15.8]	76 [673] 155	166 [1469] 153	222 [1965] 150	282 [2496] 148	358 [3168] 143	427 [3779] 139	496 [4389] 130	576 [5097] 121	155
70 [18.5]	50 [442] 179	145 [1283] 177	194 [1717] 174	250 [2212] 170	334 [2956] 165	402 [3558] 158	472 [4177] 152	540 [4779] 144	180
75 [19.8]	42 [372] 189	135 [1195] 187	176 [1558] 184	226 [2000] 180	306 [2708] 175	373 [3301] 167	445 [3938] 160	520 [4602] 150	190

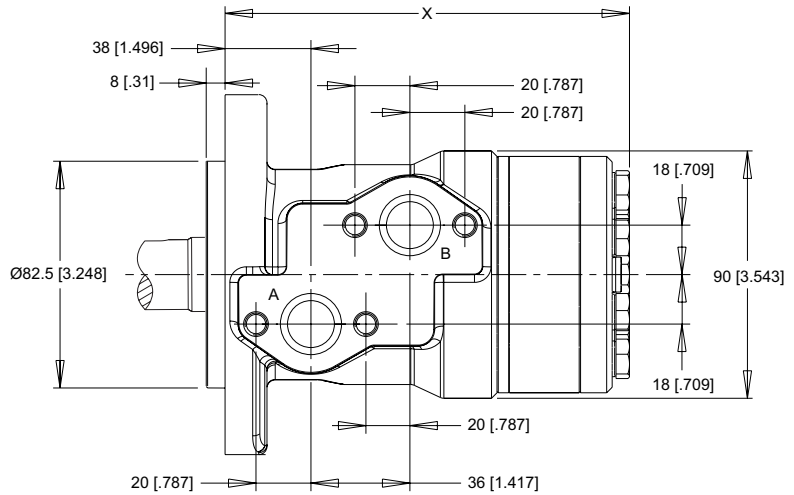
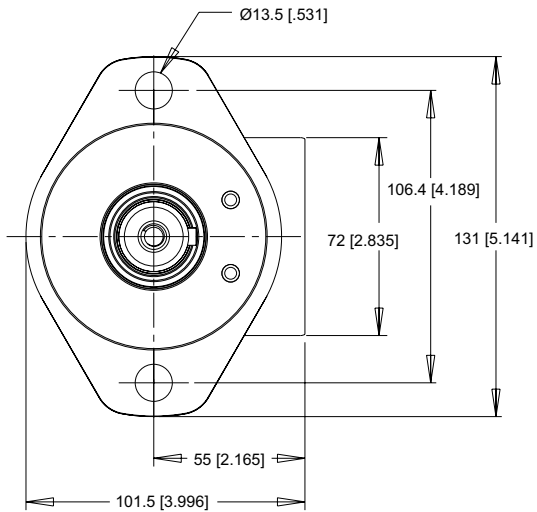
Overall Efficiency - 70 - 100% 40 - 69% 0 - 39%

Theoretical Torque - Nm [lb-in]

185 [1640]	278 [2460]	340 [3007]	402 [3554]	494 [4374]	587 [5194]	680 [6014]	772 [6834]
------------	------------	------------	------------	------------	------------	------------	------------

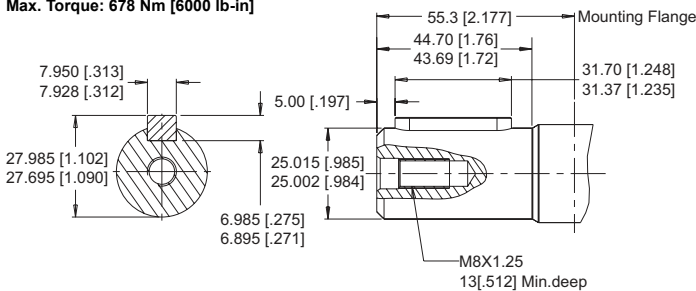
Displacement tested at 45°C [113°F] with an oil viscosity of 46cSt [213 SUS]

TECHNICAL INFORMATION



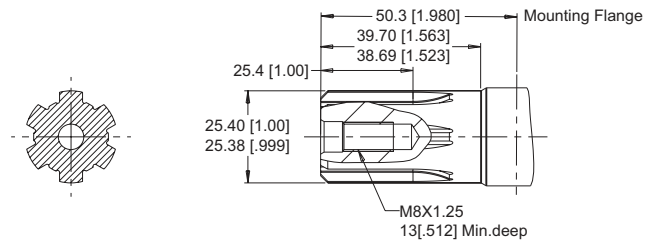
25mm Straight

Max. Torque: 678 Nm [6000 lb-in]



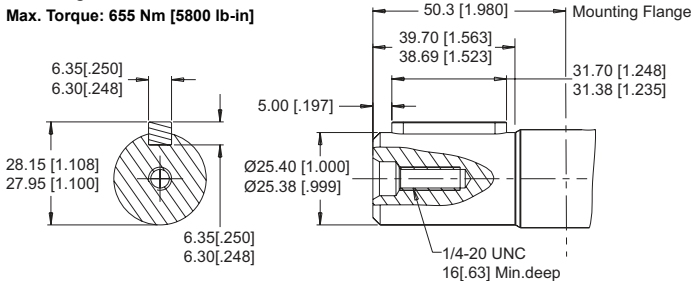
SAE 6B Spline with M8 Tap

Max. Torque: 429 Nm [3800 lb-in]



1" Straight

Max. Torque: 655 Nm [5800 lb-in]



PRODUCT ORDER CODES

K P C - 01 ___ A 2-Hole SAE A Mount - 1/2" BSP.F Offset Manifold Ports, 25mm Shaft.

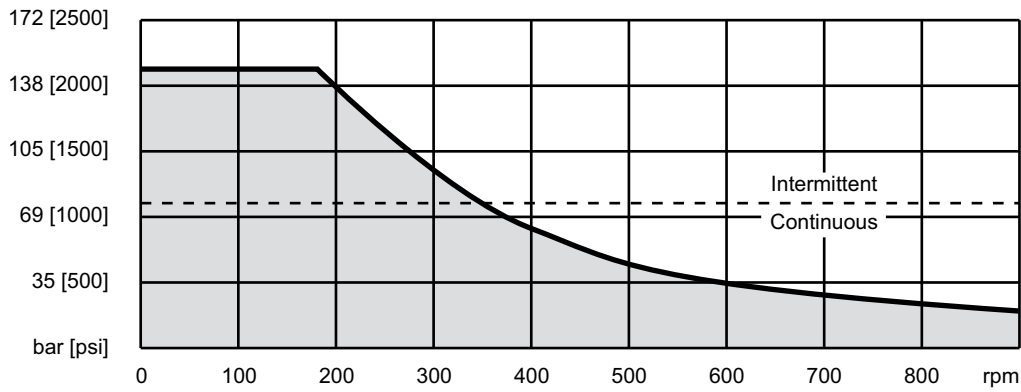
K P C - 02 ___ A 2-Hole SAE A Mount - 1/2" BSP.F Offset Manifold Ports, SAE 6B Spline with M8 Tap.

K P C - 03 ___ A 2-Hole SAE A Mount - 1/2" BSP.F Offset Manifold Ports, 1" Straight Shaft.

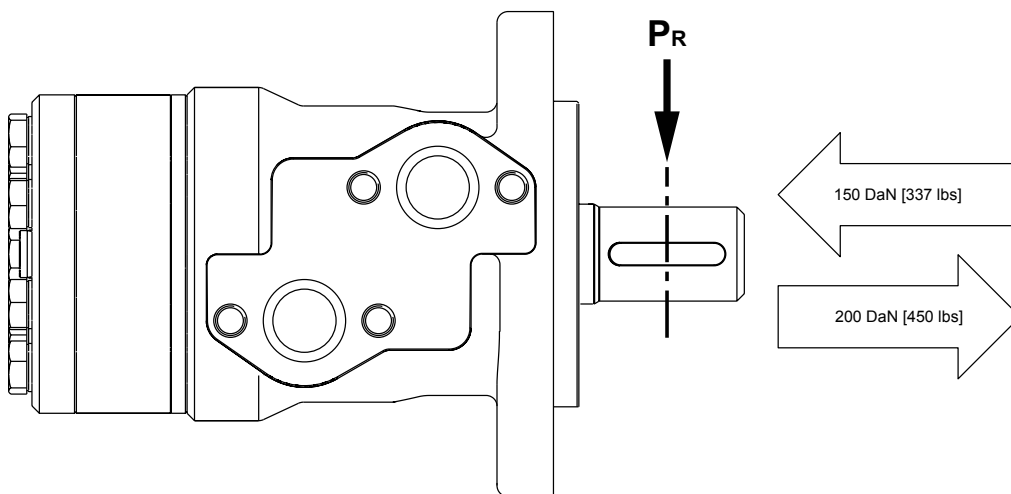
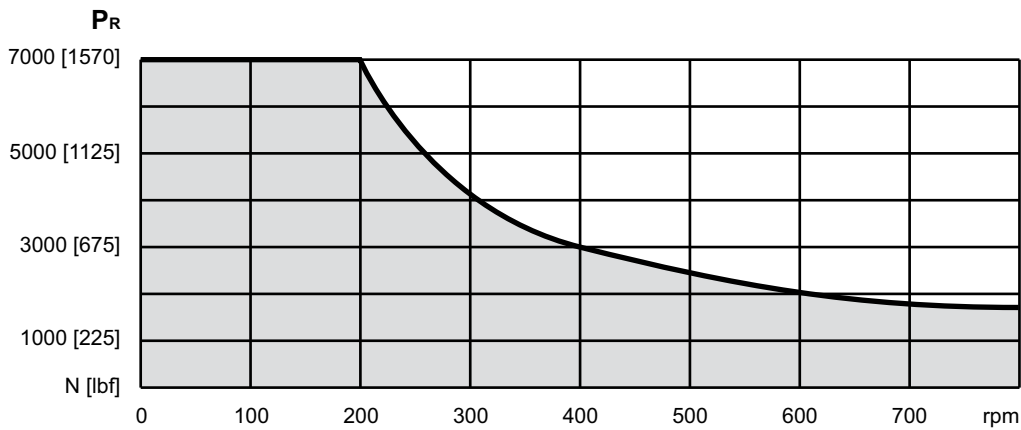
NOTE: The 3 dashes need to be filled out with the desired displacement option. The "C" in the model code refers to clockwise rotation. For anti-clockwise rotation change the "C" to "A". The last "A" in the model code refers to standard paint, for black change the "A" to "B".

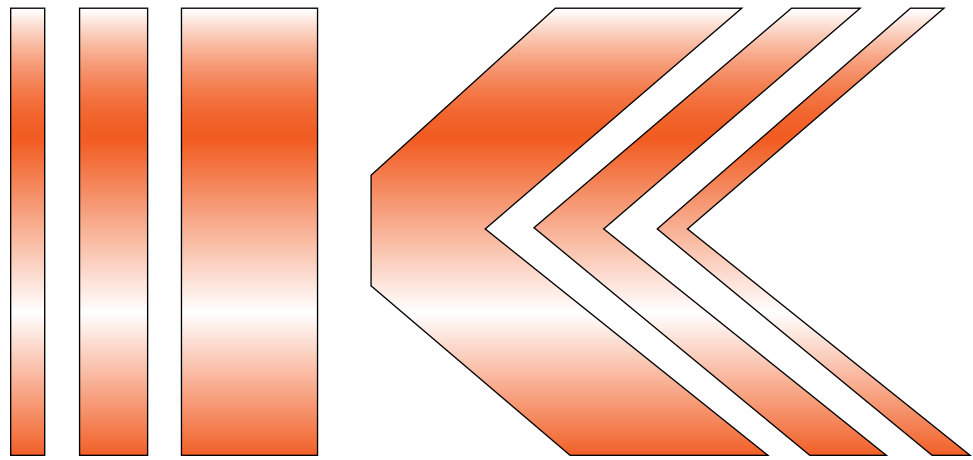
LENGTH / WEIGHT CHART		
Dimension X		
Code	mm [in]	kg [lb]
025	124 [4.87]	5.8 [12.8]
032	125 [4.91]	5.9 [13.0]
040	126 [4.97]	6.0 [13.2]
050	126 [4.97]	6.0 [13.2]
060	128 [5.03]	6.0 [13.2]
080	130 [5.12]	6.1 [13.4]
100	133 [5.22]	6.2 [13.6]
125	136 [5.37]	6.3 [13.9]
160	141 [5.54]	6.4 [14.1]
200	146 [5.74]	6.6 [14.5]
250	152 [6.00]	6.8 [15.0]
315	161 [6.33]	7.1 [15.6]
400	172 [6.77]	7.4 [16.3]

PERMISSIBLE SHAFT SEAL PRESSURE



PERMISSIBLE SHAFT SIDE LOAD / AXIAL LOAD





PRODUCTS

KP

SERIES HYDRAULIC MOTORS