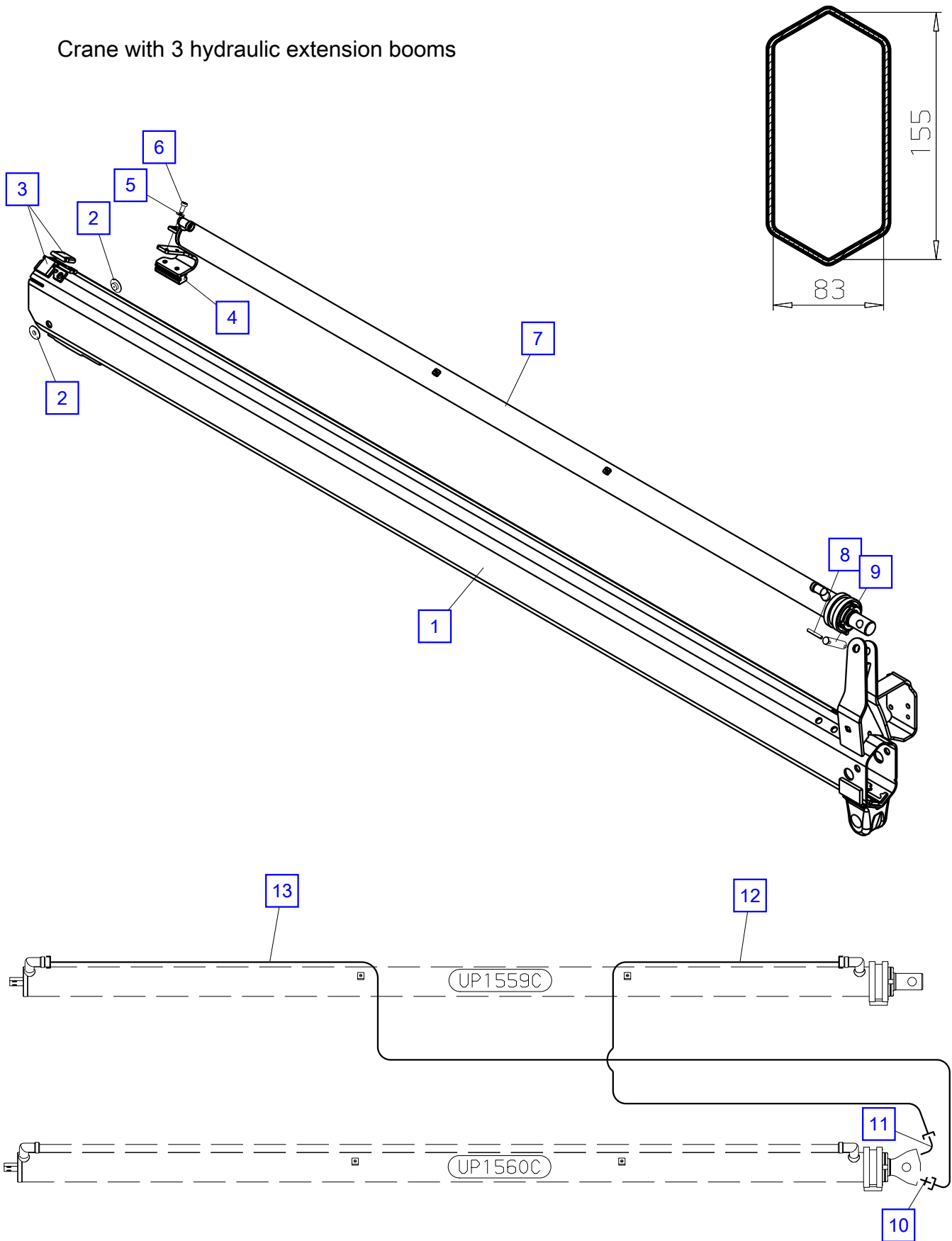


Extension boom 3 + piping

Crane with 3 hydraulic extension booms



| No. | Spare part    | Qty. | Description                                 | Dimension           |
|-----|---------------|------|---|---------------------|
| 1   | J103T03-C     | 1    | Boom extension-3                            | 155x83 mm           |
| 2   | HF 575A       | 2    | Guide                                       | 2 mm                |
| 2   | HF 576A       | 2    | Guide                                       | 4 mm                |
| 2   | HF 577A       | 2    | Guide                                       | 5 mm                |
| 2   | HF 578A       | 2    | Guide                                       | 6 mm                |
| 2   | HF 608A       | 2    | Guide                                       | 1,5 mm              |
| 2   | HF 727A       | 2    | Guide                                       | 7 mm                |
| 2   | HIA 130A      | 2    | Guide                                       | 3 mm                |
| 3   | HF1381A+00008 | 2    | Guide block                                 | 8 mm                |
| 3   | HF1381A+00009 | 2    | Guide block                                 | 9 mm                |
| 3   | HF1381A+00010 | 2    | Guide block                                 | 10 mm               |
| 3   | HF1381A+00011 | 2    | Guide block                                 | 11 mm               |
| 3   | HF1381A+00012 | 2    | Guide block                                 | 12 mm               |
| 4   | HXE2504B      | 1    | Cylinder guide                              |                     |
| 5   | EK 003        | 2    | Washer                                      | D 8.4 ISO7089       |
| 6   | ES 051        | 2    | Screw                                       | M 8x16 DIN 7984 8.8 |
| 7   | UP1559C       | 1    | Extension boom ram<br>see page 0700.02001-A | Cr                  |
| 8   | EQ 056        | 2    | Winding pin                                 | D 6x40 DIN 1481     |
| 9   | HI 513        | 1    | Pin   | D016.0xL0065.0      |
| 10  | EA 039        | 1    | Fitting                                     | GE 12S R3/8"-ED     |
| 11  | EA1749        | 1    | Adaptor                                     | WH 12S 3/8"         |
| 12  | HLR10786      | 1    | Pipe  | D 12                |
| 13  | HLR10787      | 1    | Pipe  | D 12                |