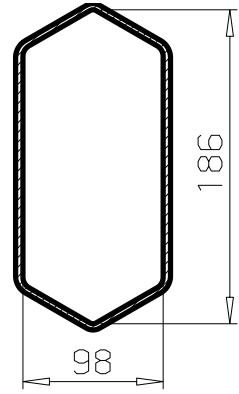
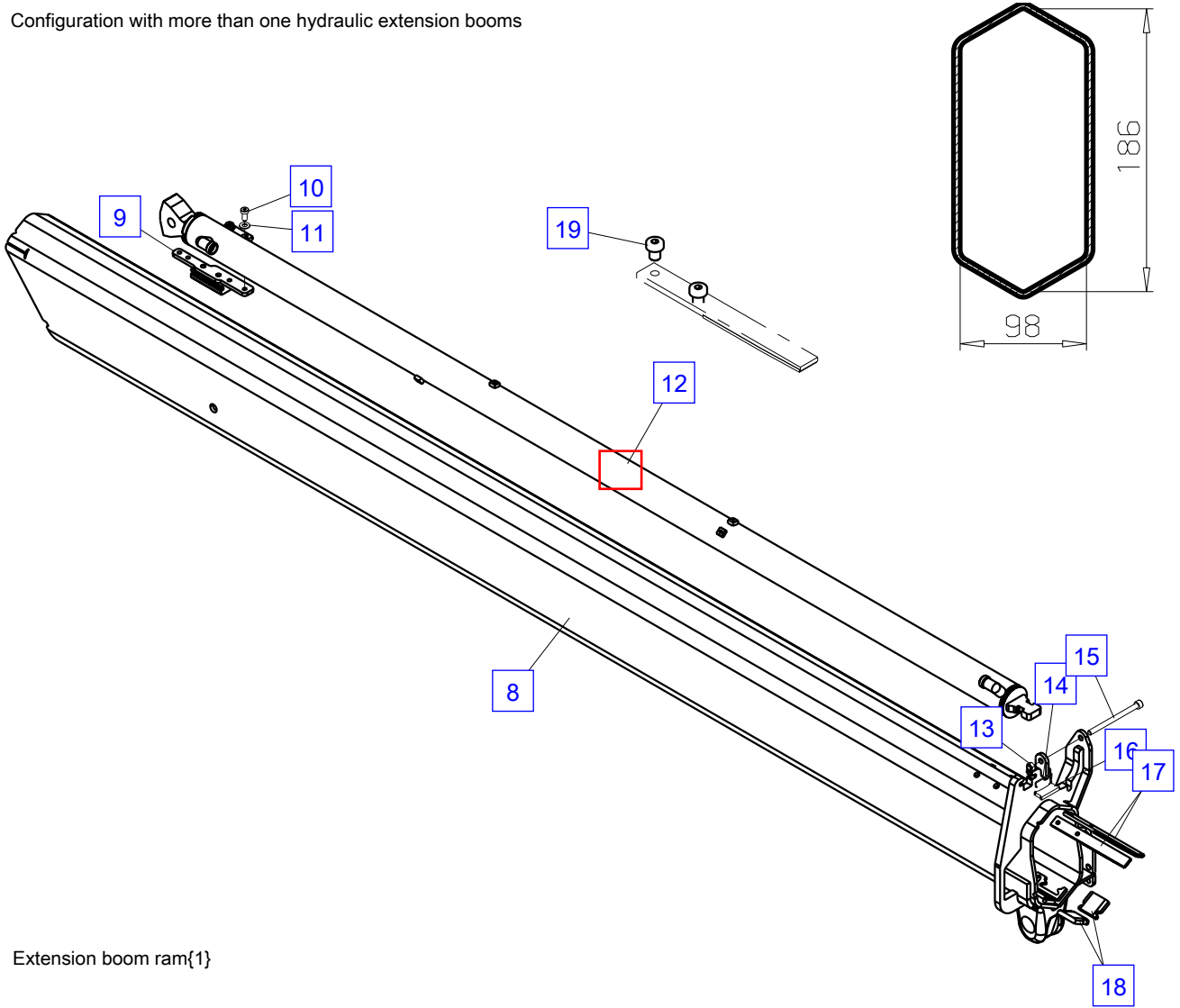


Extension boom 1 + piping

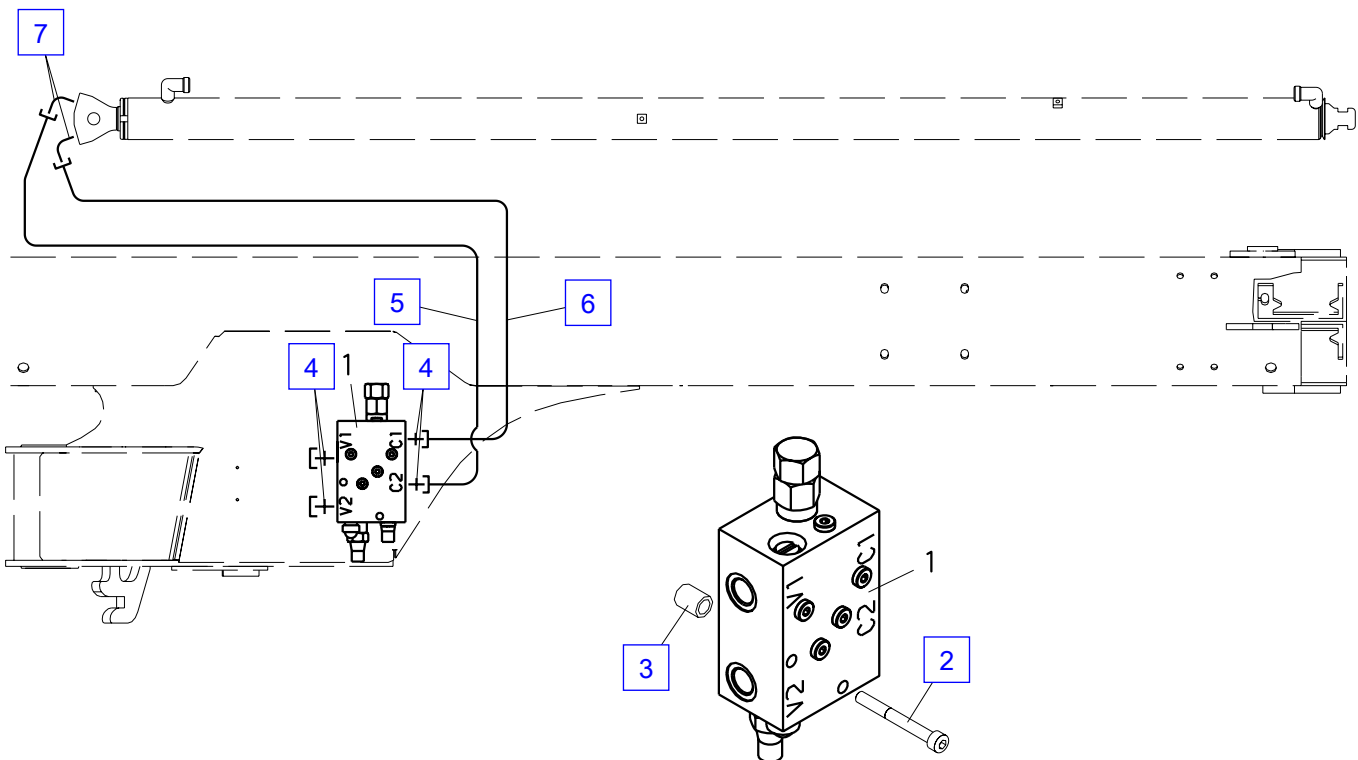
No.	Spare part	Qty.	Description	Dimension
1	EV5144A	1	Load holding valve	
2	ES1159	2	Screw	M 8x80 ISO4762- 8.8
3	HBS1020	2	Spacer	S0002.5 L0020.0 D0016
4	EA 183	4	Fitting	GE 12S R1/2"-ED
5	HLR 1439	1	Pipe	D 12
6	HLR 1440	1	Pipe	D 12
7	EA1749	2	Adaptor	WEE 12S 3/8"
8	S104T11-D	1	Boom extensions	185x98 mm
9	HXE1853B	1	Cylinder guide	
10	ES 051	2	Screw	M 8x16 DIN 7984 8.8
11	EK 003	2	Washer	D 8.4 ISO7089
12	UP1854A	1	Extension boom ram	
13	EM 026	1	Nut	M 8 DIN 985
14	EF 144	1	Spring	
15	ES1163	1	Screw	M 8x110 DIN 912
16	HT1040	1	Bearer	L=42 B=19 S=6
17	HTR4127	2	Guide block	0.5 mm
17	HTR2982	2	Guide block	1 mm
17	HTR4125A	2	Guide block	5 mm
17	HTR2951A	2	Guide block	6 mm
17	HTR3331A	2	Guide block	7 mm
17	HTR2952A	2	Guide block	8 mm
17	HTR3667A	2	Guide block	9 mm
17	HTR2953A	2	Guide block	10 mm
17	HTR4280A	2	Guide block	12 mm
18	HF1381+00008	2	Guide block	8 mm
18	HF1381+00009	2	Guide block	9 mm
18	HF1381+00010	2	Guide block	10 mm
18	HF1381+00011	2	Guide block	11 mm
18	HF1381+00012	2	Guide block	12 mm
19	ES1089	4	Screw	M 8x10 DIN 7984 8.8
19	ES1082	4	Screw	M 8x12 DIN 7984 8.8
19	ES 051	4	Screw	M 8x16 DIN 7984 8.8

**Extension boom 1 + piping**

Configuration with more than one hydraulic extension booms



Extension boom ram{1}

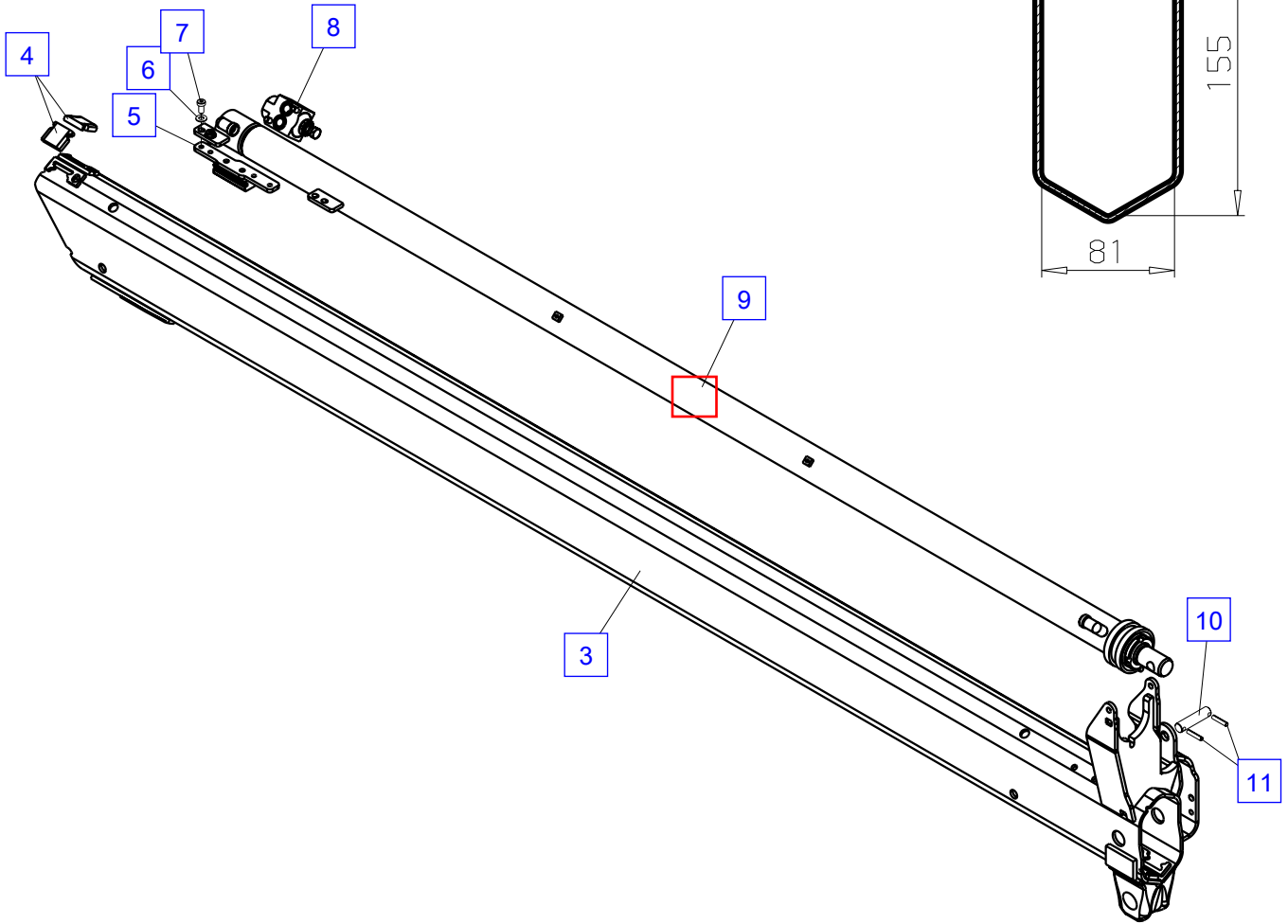


Extension boom 2 + piping

No.	Spare part	Qty.	Description	Dimension
1	HLR 1479	1	Pipe	D 12
2	HLR 1478	1	Pipe	D 12
3	S104T02-D	1	Boom extensions	155x81 mm
4	HF1381+00008	2	Guide block	8 mm
4	HF1381+00009	2	Guide block	9 mm
4	HF1381+00010	2	Guide block	10 mm
4	HF1381+00011	2	Guide block	11 mm
4	HF1381+00012	2	Guide block	12 mm
5	HXE1853B	1	Cylinder guide	
6	EK 003	2	Washer	D 8.4 ISO7089
7	ES 051	2	Screw	M 8x16 DIN 7984 8.8
8	UV223	1	Sequence valve	
9	UP1559A	1	Extension boom ram	Cr
10	HI 513	1	Pin	D016.0xL0065.0
11	EQ 056	2	Winding pin	D 6x40 DIN 1481

Extension boom 2 + piping

Crane with {2} hydraulic extension booms



Extension boom ram{2}



Extension boom ram{1}

