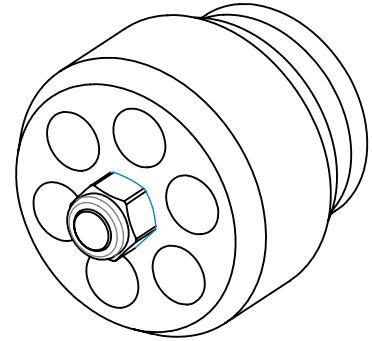
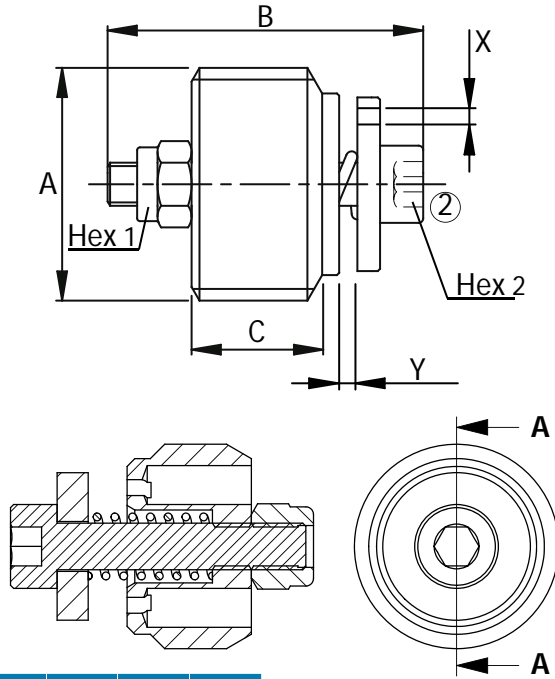
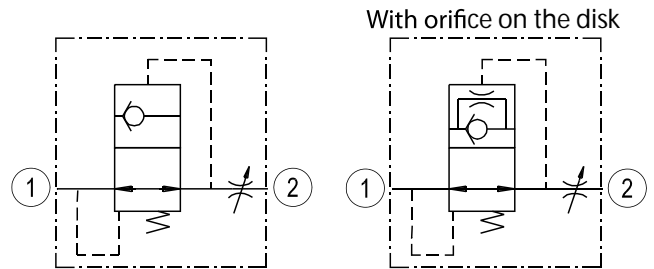


Dimensions

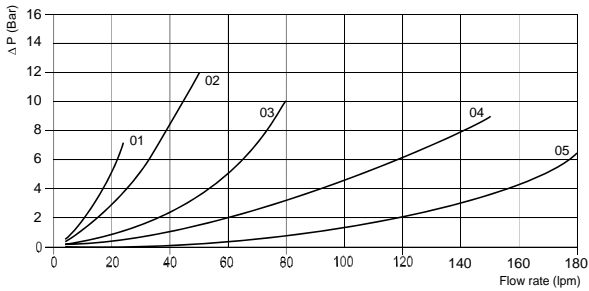


Size	A BSP	B	C	Hex 1	Hex 2	Weight kg
01	1/4	19	7	5,5	2,5	0,09
02	3/8	23	9,5	5,5	2,5	0,014
03	1/2	29	11,5	7	3	0,024
04	3/4	34	15,5	7	3	0,046
05	1	40	18,5	8	4	0,1

Hydraulic Symbol



Curves



Notice: To avoid inadvertent velocity fuse activation on flow surges the setting should be at least 50% higher than the maximum working flow.

Features

Size	01	02	03	04	05
Max Pressure (bar)	350	350	350	350	350
Max Flow (lpm)	25	50	80	150	180

Materials: Steel body.

Ordering Code

HBV -- -- - -

Size BSP		Setup
01	1/4	Cartridge only
02	3/8	MF Cartridge + Male/Female fitting*
03	1/2	FF Cartridge + Female/Female fitting*
04	3/4	
05	1	

* For line fittings dimensions refer to page 127/00

Setting	
	Standard setting
Y	Customized setting (specify in lpm)

Orifice	
	Without orifice on the disk
X	With orifice (specify dimension in mm)

Ordering Code Example: HBV02 = 3/8 BSP valve only, standard setting.

HBVMFX0,8Y30 = 3/8 BSP line fitting + valve, 0,8mm orifice set at 30 lpm.