

FELLING GRAB GRA-F

A MODERN AND SAFE WAY TO FELL
AND MAINTAIN TREES, SAVING ON MANPOWER

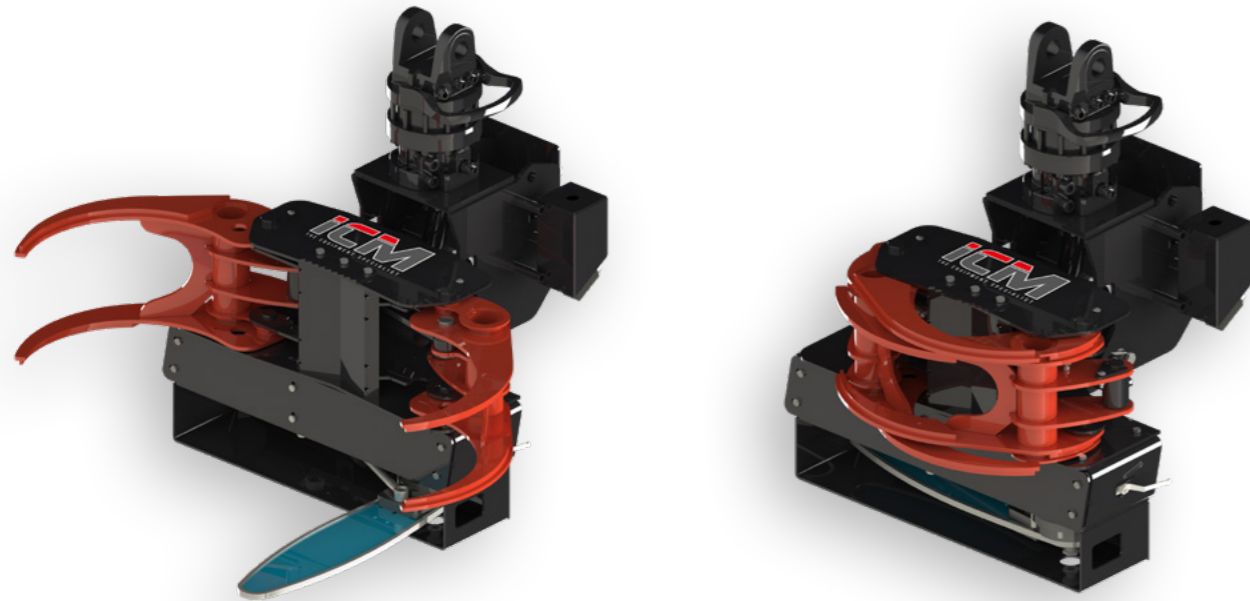
COMPATIBLE WITH



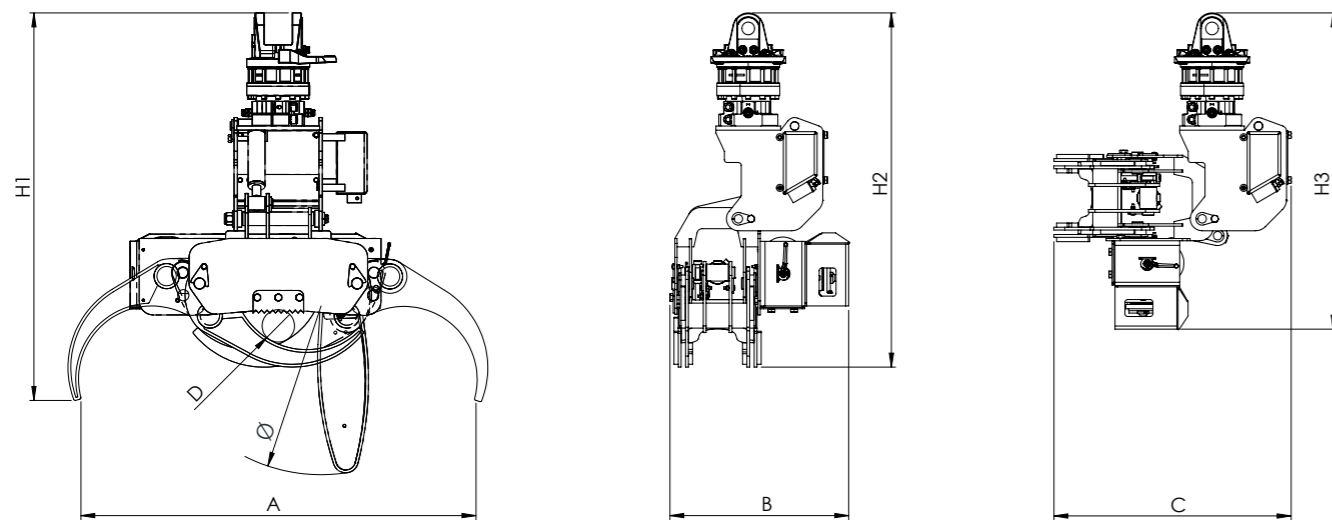
EXCAVATORS
TRUCK CRANES



PATENTED "SPRING-LOADED"
SAFETY SYSTEM TO PREVENT
THE BAR FROM GETTING STUCK
DURING CUTTING



TECHNICAL DESIGN



EXCAVATORS		8-12
MODEL		GRA-F 500
WEIGHT (EXCL. ROTATOR)	kg	296
CLAMPING FORCE	daN	1275
AREA	m ²	0,22
REQ. FLOW RATE	lt/min	50-100
MAX. PRESSURE	bar	250
Ø - MAX CUTTING DIAMETER	mm	500
D - MIN CUTTING DIAMETER	mm	110
BAR LENGTH	Wmm	600
A	mm	1405
B	mm	635
C	mm	843
H1	mm	1377
H2	mm	1259
H3	mm	1124

OPTIONAL



RECOMMENDED HYDRAULIC ROTATORS

All available rotators are on page 38-42

GR 104 DB



DOUBLE SWINGING LINK



QUICK HITCH ART 16