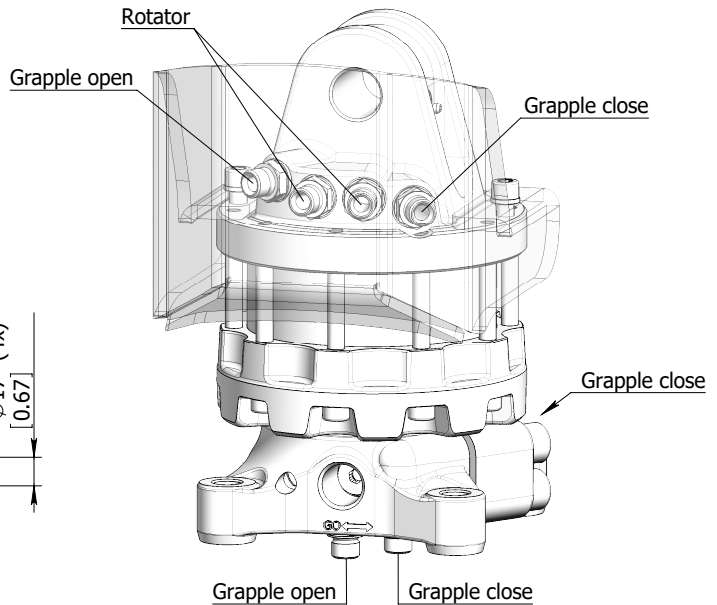
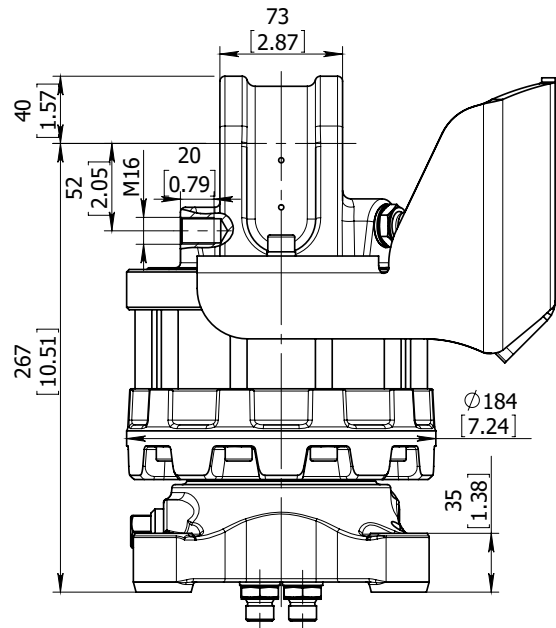
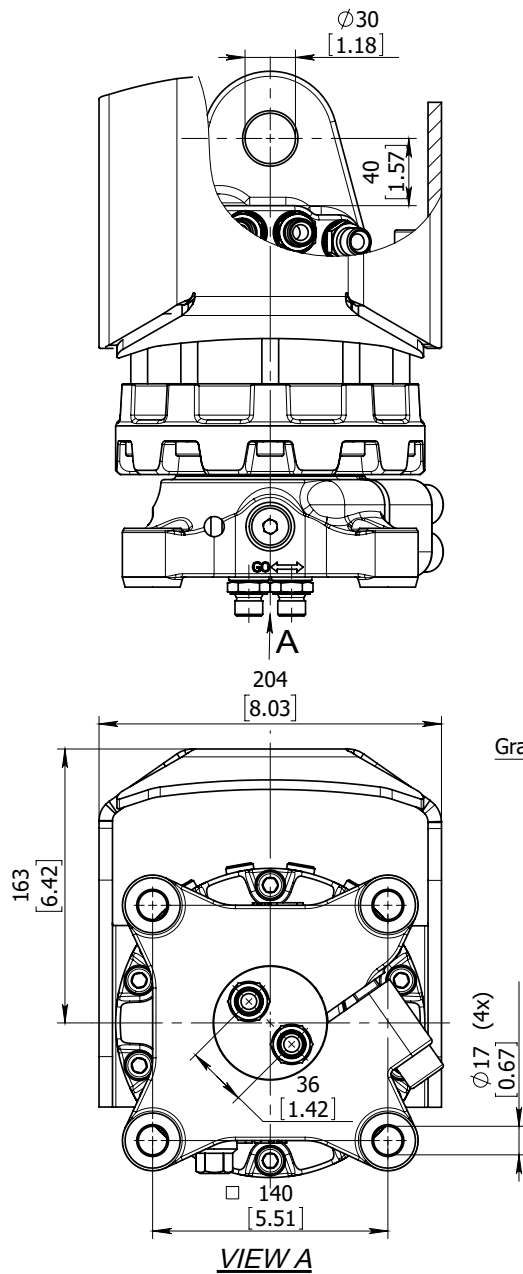


ROTATOR GR465/68MX



Technical data

Rotation	Unlimited
Max axial load static	45 kN [10118 lbf]
Max axial load dynamic	25 kN [5621 lbf]
Torque at 25Mpa [3625psi]	1200 Nm [885 lb ft]
Rec oilflow	22 l/min [5.8 gal(US)/min]
Weight	37 kg [81 lb]

Max working pressure:

Rotator	↔R↔	Max 25 MPa (3625 psi)
Grapple / Tool open	↔G↔	Max 20 MPa (2900 psi)
Grapple / Tool close	→G←	Max 30 MPa (4350 psi)

Connection:

G 3/8
G 3/8
G 3/8