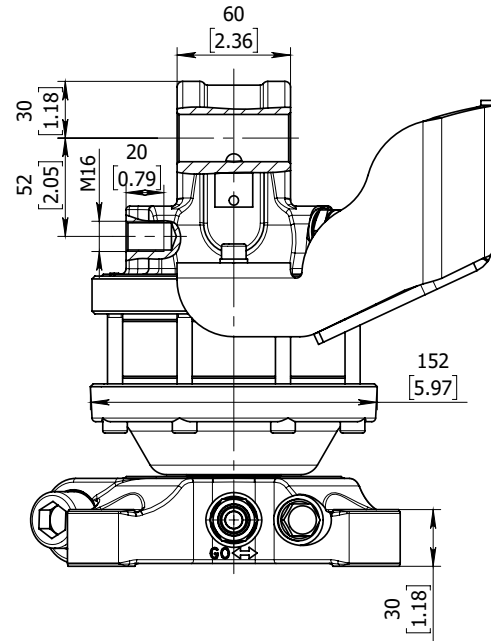
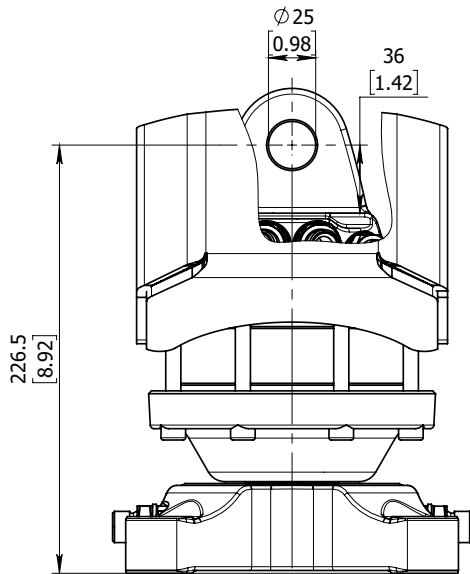
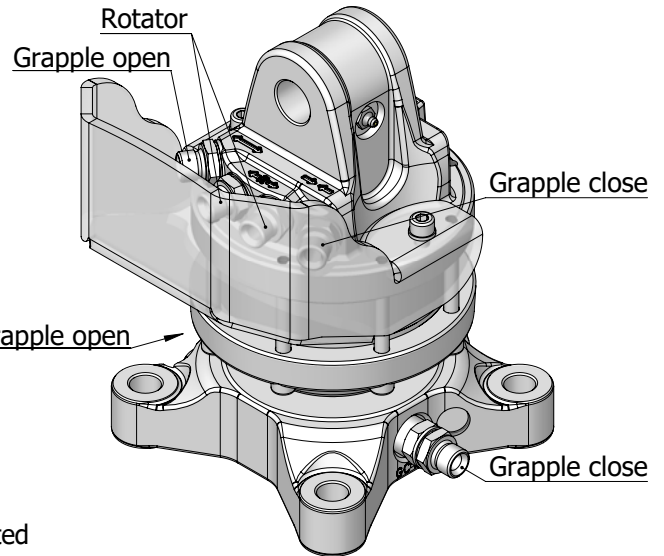
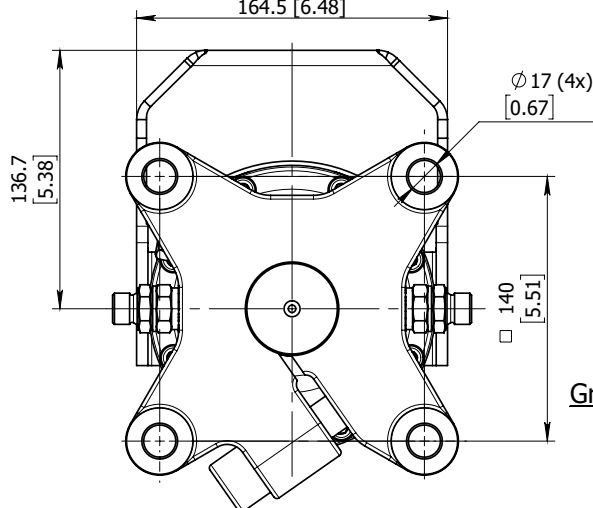


ROTATOR GR30PFX



A

VIEW A
164.5 [6.48]



Technical data

| | |
|---------------------------------------|------------|
| Rotation | Unlimited |
| Max axial load static, KN (lbf) | 30 (6745) |
| Max axial load dynamic, KN (lbf) | 15 (3372) |
| Torque at 25Mpa (3625psi), Nm (lb ft) | 1000 (738) |
| Rec oilflow, l/min (US gallon) | 20 (5.3) |
| Weight, kg (lb) | 21 (46) |

Max working pressure:

| | | | |
|----------------------|-----|-----------------------|-------|
| Rotator | ←R→ | Max 25 MPa (3625 psi) | G 3/8 |
| Grapple / Tool open | ←G→ | Max 20 MPa (2900 psi) | G 3/8 |
| Grapple / Tool close | →G← | Max 30 MPa (4350 psi) | G 3/8 |

Connection: