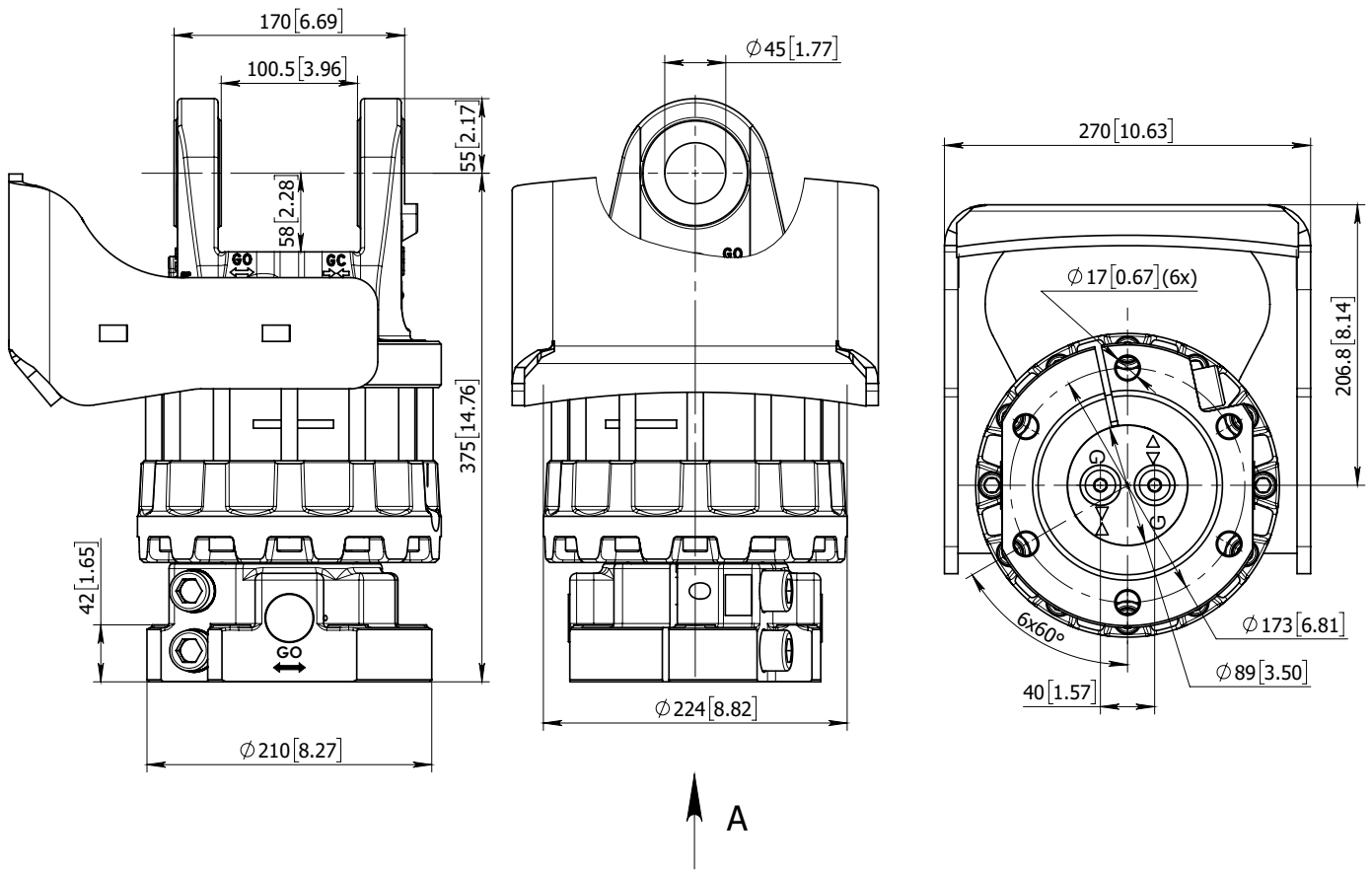
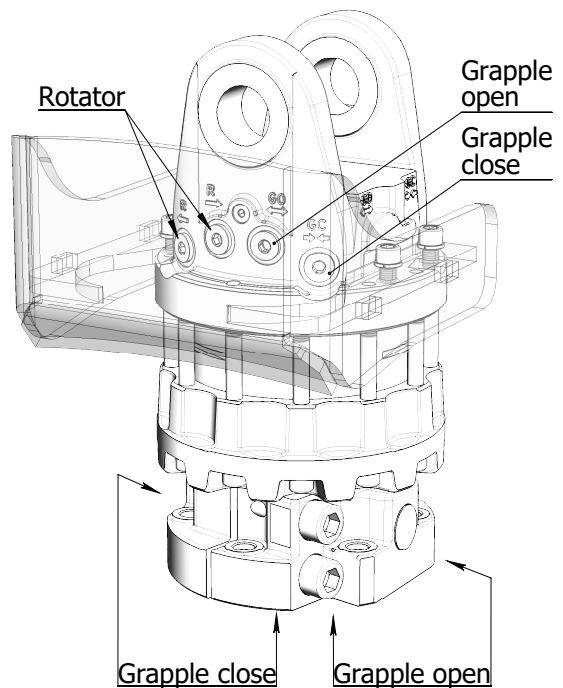


# ROTATOR GR16SCX



## Technical data

Rotation	Unlimited
Max axial load static, KN (lbf)	+160 (35976) - 90 (20236)
Max axial load dynamic, KN (lbf)	+80 (17988) - 45 (10118)
Torque at 25Mpa (3625psi), Nm (lb ft)	3400 (2500)
Rec oilflow, l/min (US gallon)	40 (10.6)
Weight, kg (lb)	78 (169)
<b>Max working pressure:</b>	<b>Connection:</b>
Rotator ←R→	Max 25 MPa (3625 psi) 3/4-16 UNF-2B
Grapple / Tool open ←G→	Max 30 MPa (4350 psi) 3/4-16 UNF-2B
Grapple / Tool close →G←	Max 30 MPa (4350 psi) 3/4-16 UNF-2B



02.01.2018 Sheet 1 of 3