

PLJ sealing washers

Juntas PLJ

Die-cut sealing washers that allow the entry of cables into housings (boxes, cabinets, etc.) with a degree of protection up to IP68 or IP69 between the housing and the connector's base

Juntas planas troqueladas que permiten en las entradas de cables en envolventes (cajas, armarios, etc.) conseguir un grado de protección hasta IP68 o IP69 en la interfase entre la envolvente y la base de los racores

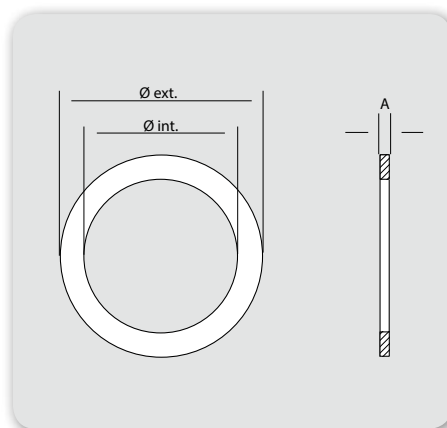
- Made of deformable asbestos-free material
- Temperature range: -40°C to +200°C

Dimensions in mm | Dimensiones en mm

- Material deformable libre de asbesto
- Gama de temperaturas: de -40°C a +200°C

Metric | Métrica

Reference / Referencia	Forthread Para rosca	Ø int.	Ø ext.	A	Packing u Embalaje u.
PLJ-M12	M12x1.5	12.0	18	1.5	100
PLJ-M16	M16x1.5	16.0	22	1.5	100
PLJ-M20	M20x1.5	20.0	27	1.5	100
PLJ-M25	M25x1.5	25.0	35	1.5	50
PLJ-M32	M32x1.5	32.0	43	1.5	30
PLJ-M40	M40x1.5	40.0	55	1.5	20
PLJ-M50	M50x1.5	50.0	69	1.5	10
PLJ-M63	M63x1.5	63.0	82	1.5	10



PG

Reference Referencia	Forthread Para rosca	Ø int.	Ø ext.	A	Packing u Embalaje u.
PLJ-P07	Pg 7	12.4	18	1.5	100
PLJ-P09	Pg 9	15.2	21	1.5	100
PLJ-P11	Pg 11	18.6	26	1.5	100
PLJ-P13	Pg 13.5	20.4	29	1.5	100
PLJ-P16	Pg 16	22.5	33	1.5	100
PLJ-P21	Pg 21	28.3	39	1.5	50
PLJ-P29	Pg 29	37.0	49	1.5	30
PLJ-P36	Pg 36	47.0	59	1.5	20
PLJ-P48	Pg 48	59.3	71	1.5	10

