

# FIP-S

## DIGITAL TILTING INDICATOR transistor output

### DESCRIPTION

Digital tilting indicator FIP-S is a digital device able to signal when inclination exceeded one or more pre-defined thresholds, along two axes, respect to the earths ground plane.

Digital output give information about horizontal inclination of the system where is mounted. Exceeding one or more threshold changes the output status <sup>(1)</sup>.

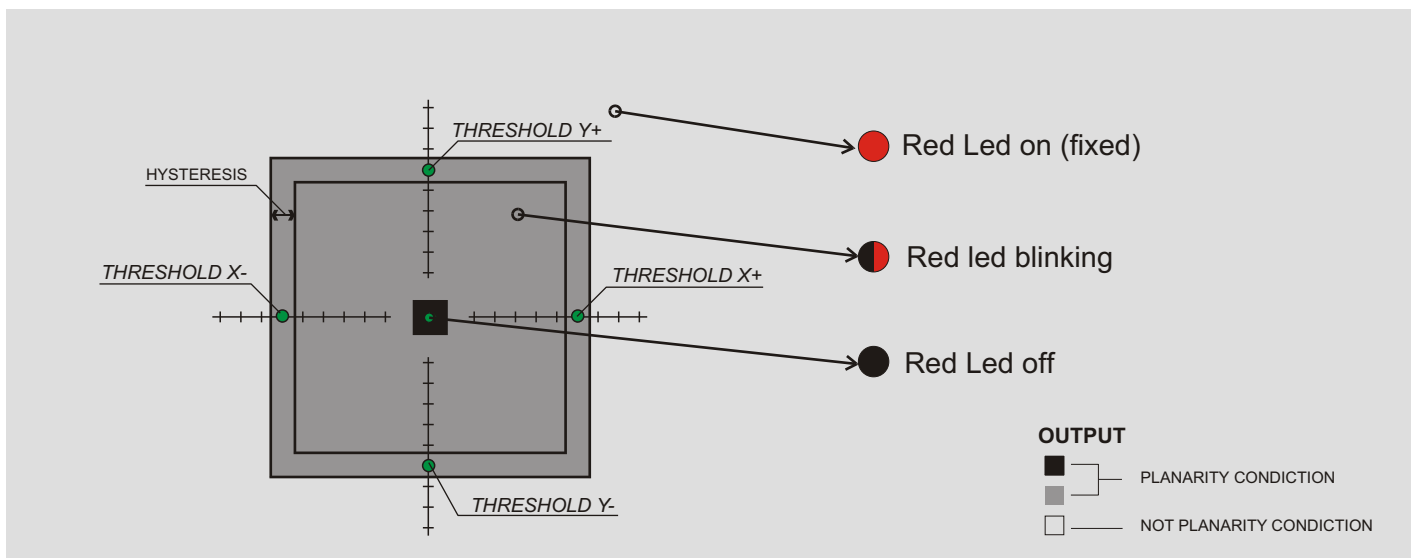
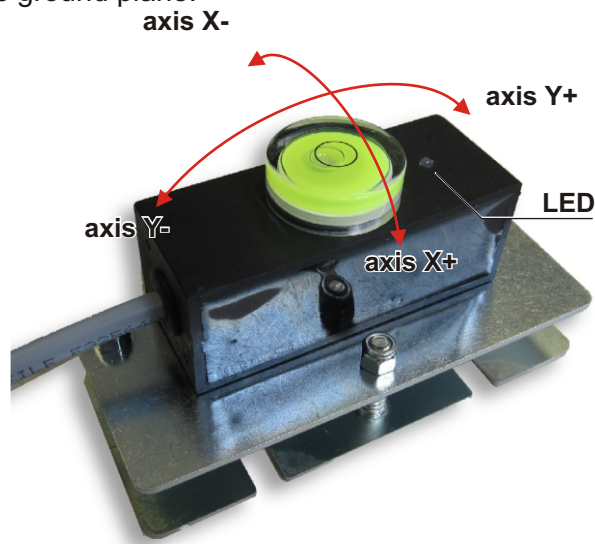
A red LED helps to give information about the FIP-S inclination and then on the status of the system where is mounted:

- off: horizontal position (to less than +/- 1°)
- blinking: inclination doesn't exceed any threshold, but inclinometer isn't perfectly horizontal.
- on: inclination exceeds one or more pre-defined thresholds

On request, it is possible to specified a delay on the output status change.

Hysteresis is also provided on the ouput.

<sup>(1)</sup>Output status, according the inclination, depends on the ordering code



### CHARACTERISTICS

Each tilting indicator is pre-calibrated in Faber-Com to ensure that the electrical zero corresponds with the zero of the bubble level mounted on the top.

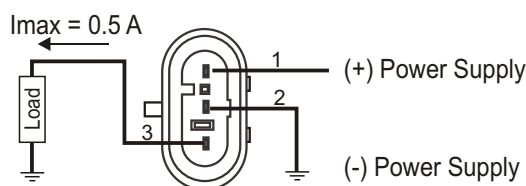
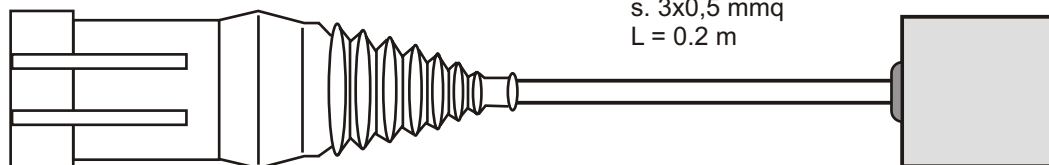
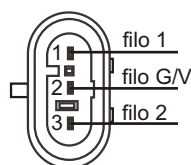
Turn the mounting screws (which are used to support the movable part on the fixed part), to adjust the zero of device. Before that, it is necessary to ensure that the machinery where the device is mounted, is perfectly horizontal.

Press on the device, compressing the springs, to verify that the device works correctly.

At power on device gives immediately the information about planarity.

## CONNECTION

AMP Superseal connector  
female 3 poles  
with male contact



## THECHNICAL CHARACTERISTICS

Supply Voltage	10 ÷ 32 V
Digital output voltage	Valim - 0,125 V
Max output current	0,5 A
Consumption (without load)	23 mA
Operating field	(max [-40 ÷ 40 degrees])
Repeatability error	0.22 degrees
Intervention delay	programmable
Digital output protection	short circuit, overvoltage
Operating temperature	-40 ÷ 70 °C
Temperature drift	0,01 degrees/°C
Watertight rated	IP67

## ORDERING CODE

FIP-S: PSDPB40nnn (\*)

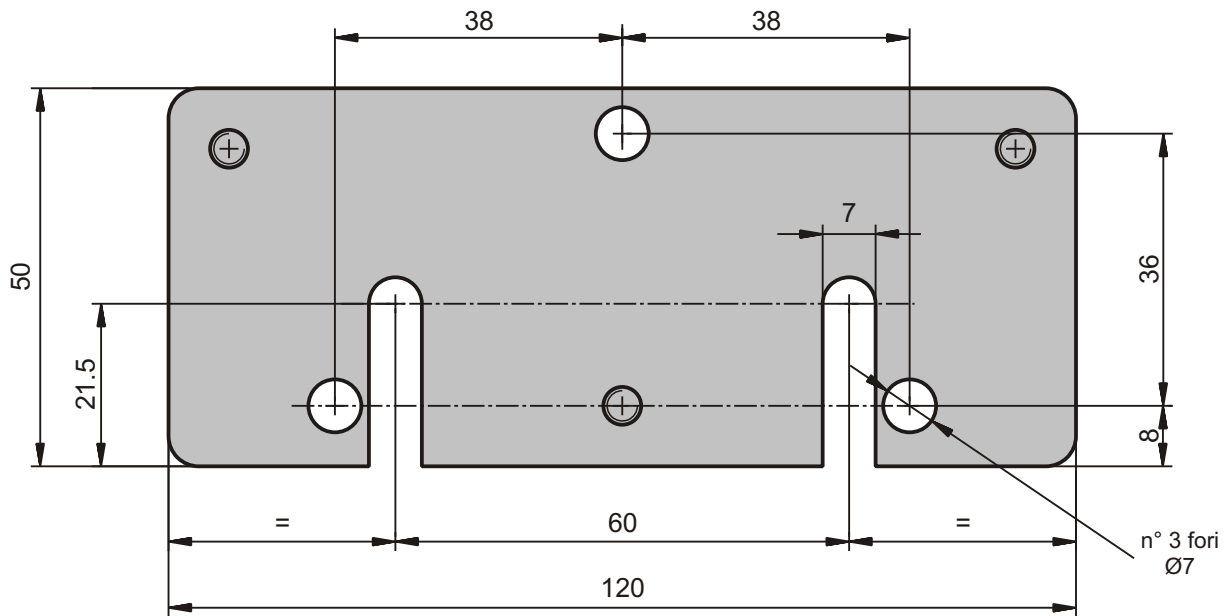
nnn is a code assigned by Fabercon, according to the FIP-S's characteristics requests

(\*) Specify before ordering:

- Values of the 4 thresholds
- on/off output logic (when it has to be ON and when OFF)
- (optional) ON/OFF output hysteresis. [Pre-setting is 0,1°]
- (optional) turn on delay in ON/OFF output [Pre-setting is 0sec].
- (optional) turn off delay in ON/OFF output [Pre-setting is 0sec].

**DIMENSION**

**Support (scala 1:1)**



**Device global view (not in scale)**

