



60
kN

FORGED STEEL IN MY BODY

DOUBLE ROLLER/TAPPER BEARING

-50
kN

180 \varnothing 35
mm

R
1/2" BSP

R
250 bar

GO/GC
1/2" BSP

GO
250 bar

GC
300 bar

30
kN

-25
kN

1850
nm

45
kg

25
l/min

Hydraulic rotator FHR 6FD1 is ideal for professional use in forestry, agriculture, road and building construction, recycling industry, general cargo and material handling.

Rotator's upper mount is applied in FORK form factor of the knuckle joint. Robust and tough built to withstand even overloads. The fork width (between fork ends) is common standard width 80mm and the knuckle pin diameter 35mm.



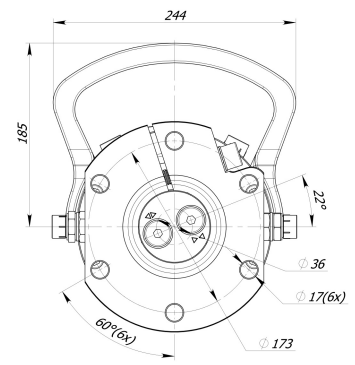
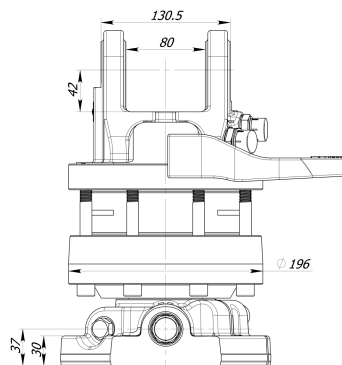
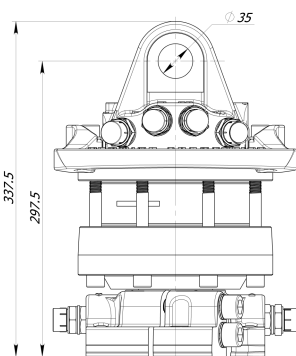
FHL 02

Rotator lower mount is applied in FLANGE form factor to mount direct on grapple / tool surface by fixing with screws

GO/GC
 \varnothing 173
17(x6)
mm

GO/GC
1/2" BSP

GO/GC
1/2" BSP



For additional information relating to price levels and technical data, please contact sales@formiko.lv

Formiko Hydraulics Ltd
Dzirclima Str. 119 k-1,
Riga LV1055 LATVIA

+371 294 49 552
+371 264 59 383
sales@formiko.lv
www.formiko.lv

On request by special conditions there are metric nipples available for rotator FHR 6FD1



FORESTRY

GENERAL CARGO

AGRICULTURE

CONSTRUCTION

RECYCLING





Hydraulic rotator FHR 6FD1 is ideal for professional use in forestry, agriculture, road and building construction, recycling industry, general cargo and material handling.



Rotator's upper mount is applied in FORK form factor of the knuckle joint. Robust and tough built to withstand even overloads. The fork width (between fork ends) is common standard width 80mm and the knuckle pin diameter 35mm.



Rotator lower mount is applied in FLANGE form factor to mount direct on grapple / tool surface by fixing with screws



Rotator FHR 6FD1 based on reliable vane type hydraulic motor which delivers torque up to 1850Nm at 25MPa.



Formiko Hydraulics rotator FHR 6FD1 is equipped with double bearings to withstand both tensional and pushing loads.



Some parts in rotator are built from shock resistant and deformation resistant forged steel.



Formoko rotator FHR 6FD1 is compatible with FHL 02 series links.



Rotator for shipping is packed in compact solid cardboard box with dimensions 400x250x250mm.



We providing TWO year warranty for this rotator.

For additional information relating to price levels and technical data, please contact sales@formiko.lv

Formiko Hydraulics Ltd

Dzirciema Str. 119 k-1,
Riga LV1055 LATVIA

+371 294 49 552

+371 264 59 383

sales@formiko.lv

www.formiko.lv

On request by special conditions there are metric nipples
available for rotator FHR 6FD1



FORESTRY



GENERAL CARGO



AGRICULTURE



CONSTRUCTION



RECYCLING

