



**30**  
kN

**15**  
kN

**900**  
nm

**24**  
kg

**20**  
l/min

**160**  $\phi$ 25  
mm

**3/8"**  
BSP

**250**  
bar

**3/8"**  
BSP

**200**  
bar

**300**  
bar

Rotator's upper mount is applied in EYE form factor of the knuckle joint. Robust and tough built to withstand even overloads. The wide of eye is common standard width 60mm and the knuckle pin diameter 25mm.

Hydraulic rotator FHR 3.000SF is cost-effective solution generally for seasonal use in forestry, agriculture, road and building construction, general cargo and material handling.



FHL 01-A/B-60/25

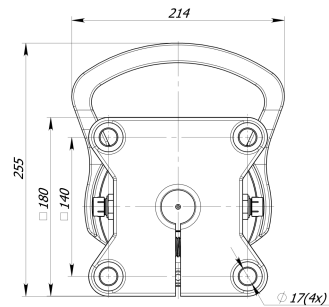
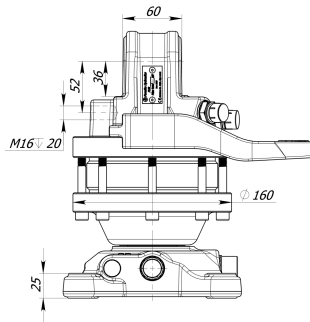
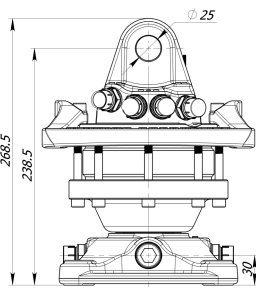


FHL 01B-A/B-60/25

Rotator lower mount is applied in SQUARE shape FLANGE form factor to mount direct on grapple / tool surface by fixing with screws

**140**  
 $\phi$ 17(x4)  
mm

**3/8"**  
BSP



For additional information relating to price levels and technical data, please contact [sales@formiko.lv](mailto:sales@formiko.lv)

Formiko Hydraulics Ltd  
Dzirclima Str. 119 k-1,  
Riga LV1055 LATVIA

+371 294 49 552  
+371 264 59 383  
[sales@formiko.lv](mailto:sales@formiko.lv)  
[www.formiko.lv](http://www.formiko.lv)

On request by special conditions there are metric nipples available for rotator FHR 3.000SF



FORESTRY



AGRICULTURE



CONSTRUCTION





Hydraulic rotator FHR 3.000SF is cost-effective solution generally for seasonal use in forestry, agriculture, road and building construction, general cargo and material handling.



Rotator's upper mount is applied in EYE form factor of the knuckle joint. Robust and tough built to withstand even overloads. The wide of eye is common standard width 60mm and the knuckle pin diameter 25mm.



Rotator lower mount is applied in SQUARE shape FLANGE form factor to mount direct on grapple / tool surface by fixing with screws



Rotator FHR 3.000SF based on reliable vane type hydraulic motor which delivers torque up to 900Nm at 25MPa.



Formoko rotator FHR 3.000SF is compatible with FHL 01-A/B-60/25 and FHL 01B-A/B-60/25 series links.



Rotator for shipping is packed in compact solid cardboard box with dimensions 340x230x240mm.



We providing TWO year warranty for this rotator.

For additional information relating to price levels and technical data, please contact [sales@formiko.lv](mailto:sales@formiko.lv)

**Formiko Hydraulics Ltd**

Dzirciema Str. 119 k-1,  
Riga LV1055 LATVIA

+371 294 49 552

+371 264 59 383

[sales@formiko.lv](mailto:sales@formiko.lv)

[www.formiko.lv](http://www.formiko.lv)

On request by special conditions there are metric nipples  
available for rotator FHR 3.000SF



FORESTRY



AGRICULTURE



CONSTRUCTION

