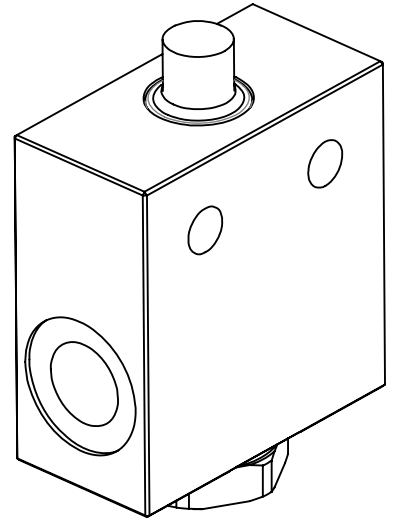
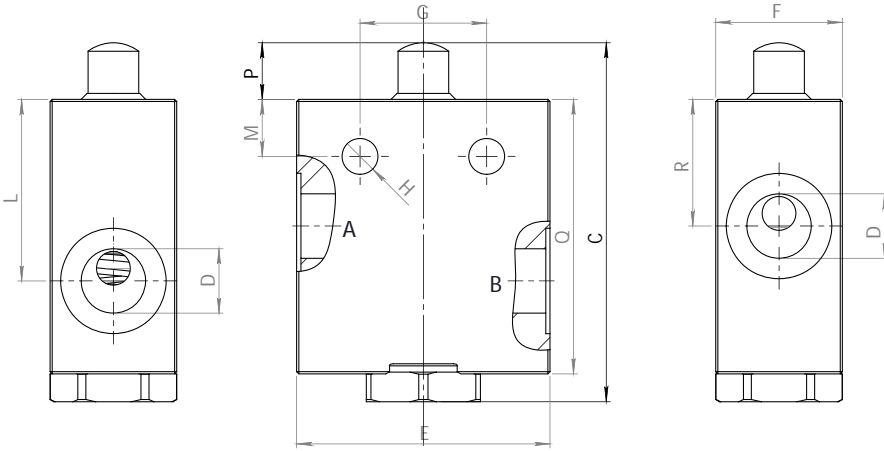
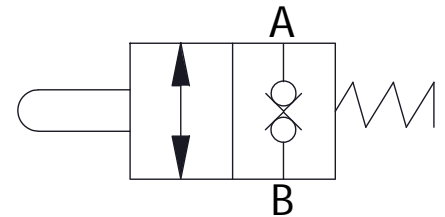


Dimensions



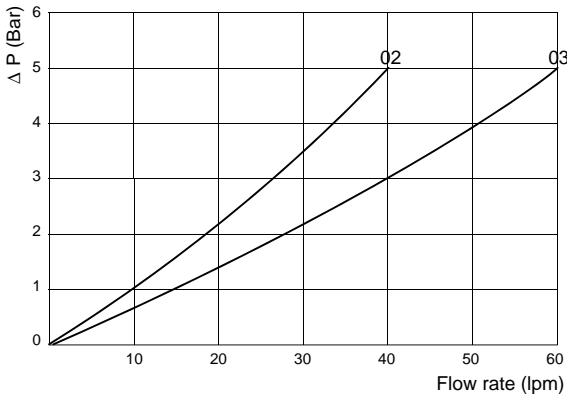
| Size | C | D BSP | E | F | G | H | L | M | N | P | Q | R | Hex | Weight kg |
|------|----|----------|----|----|----|-----|----|------|----|------|----|----|-----|--------------|
| 02 | 85 | 3/8 | 60 | 30 | 30 | 8,5 | 43 | 13,5 | 12 | 13,4 | 65 | 30 | 27 | 0,81 |
| 03 | 97 | 1/2 | 70 | 35 | 40 | 8,5 | 51 | 13,5 | 16 | 13,3 | 77 | 37 | 32 | 1,28 |

Hydraulic Symbol



Curves

B ↔ **A**



Features

| Size | 02 | 03 |
|---------------------|-----|-----|
| Max Pressure (bar) | 350 | 350 |
| Max Flow Rate (lpm) | 30 | 60 |
| Stroke (mm) | 10 | 12 |
| Spring Bias (Nm) | 20 | 20 |

Materials: Zinc plated steel body, hardened steel inner parts.

Ordering Code

ESCD **--**

| | Size BSP |
|-----------|----------|
| 02 | 3/8 |
| 03 | 1/2 |

Ordering Code Example: ESCD02 = 3/8 BSP.