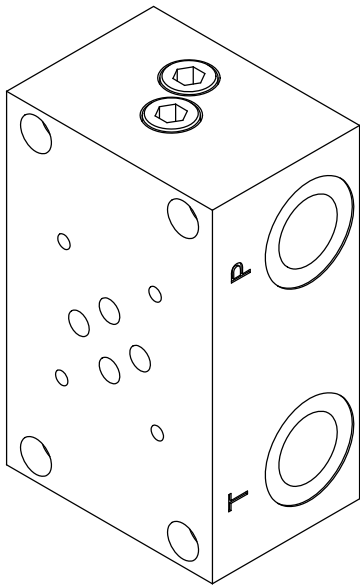
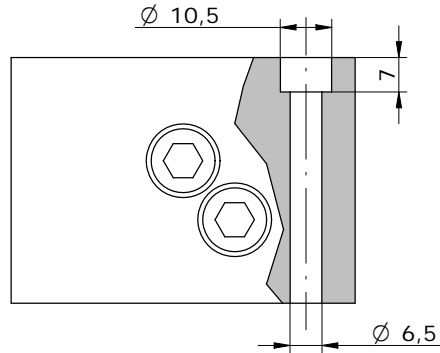
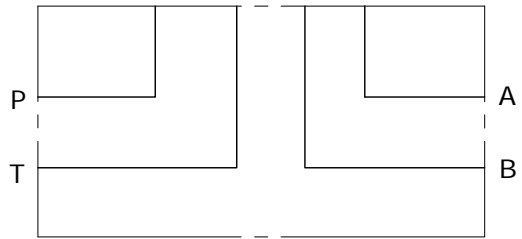


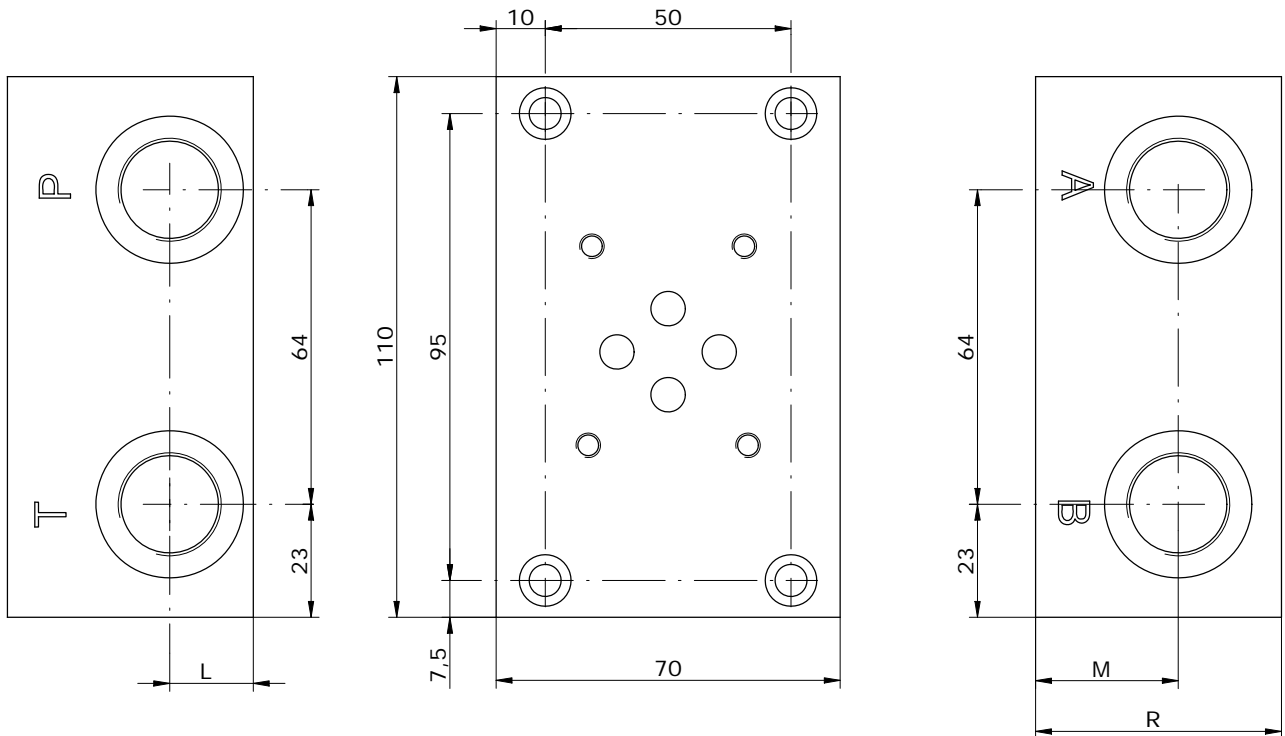
BASE SINGOLA CETOP 3 CON UTILIZZI A-B-P-T LATERALI
SUB-PLATE CETOP 3 WITH A-B-P-T PORTS ON SIDE



Schema idraulico
Hydraulic diagram



VERSION	R	L	M
E_06-08-14	45	15	27
E_06-08-38	45	15	27
E_06-08-12	50	17	29



E_06 - 08 -

S = STEEL
A = ALUMINUM

14 = BSP 1/4G
38 = BSP 3/8G
12 = BSP 1/2G