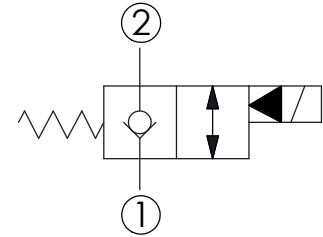
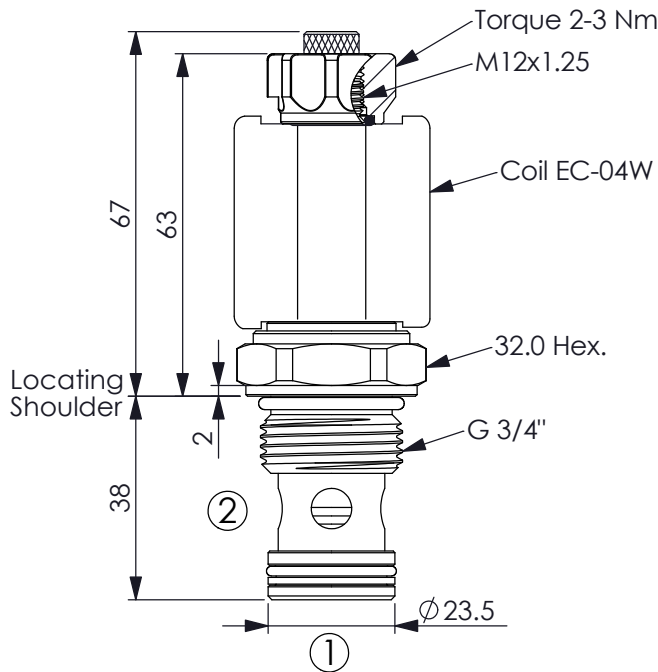


SOLENOID OPERATED VALVE (Pilot Operated) (Poppet 2-Way Normally-Closed Cartridge Style)

Ordering Code: **EP-17E-X-Y-Z-05**

※ If you need the type with extra spring (quickly closed), please select EP-17E-2A-05-Z-85



TECHNICAL DATA

Max. Operating pressure:	350	bar
Rated flow:	70	l/min
Cavity-Tooling:	17E-2	
Installation torque:	54-66	Nm
Weight:	0.22	kg
Fluids-Temperatures:	-40 to 120 °C	
Internal Leakage Approximately:	0.15 cc/minute (3 drops/minute) max. at 350 bar	

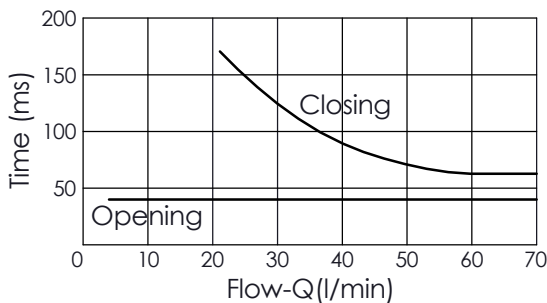
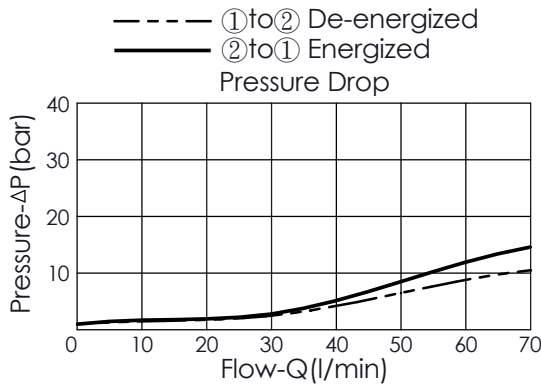
Hydraulic Fluid Cleanliness Level:
Please refer WINNER technical information.
(T.101.102.E HYDRAULIC FLUID (B) CLEANLINESS)

Minimum Voltage Required:
90 % of nominal

Coils must be ordered separately

Mounting Position: unrestricted

UNIT:mm



The performance curve or data is only for reference, as customers' using condition, pressure, flow, oil viscosity and so on are different, the curve or data will be different.

X	STRUCTURE	
2A	2 Ports · 20 Watt. Coil ∅ 12.7 mm tube	

Z	OPTIONS	
N	Non-adjustable	
M	Screw-out Knob Style	

Y	OPERATION	
05	Normally-Closed Reverse Flow Energized	