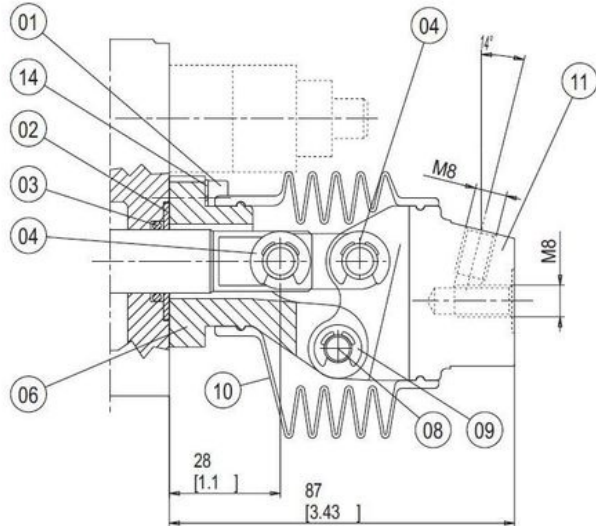
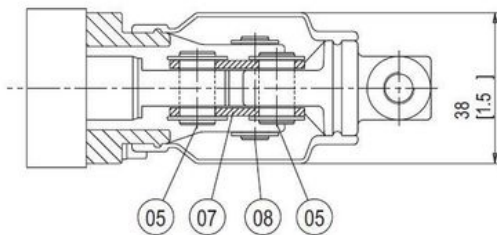


### CODE R235 8753 0 - Commercial code NL



N.B.: Use grease with parts number 05 07 08 11



N°	Description	Qty.
01	Screw TCEI M5x20 UNI 5931	2
02	Washer	1
03	O-Ring 2-114	1
04	'Seger' ring 7 UNI 7434	4
05	Pin	2
06	Lever holder	1
07	Link	2
08	Pin	2
09	'Seger' ring 6 UNI 7434	2
10	Protection	1
11	Shaft holder	1
14	Washer A5.3 UNI 1751	2

### CODE R202 8791 0 - Commercial code NP

