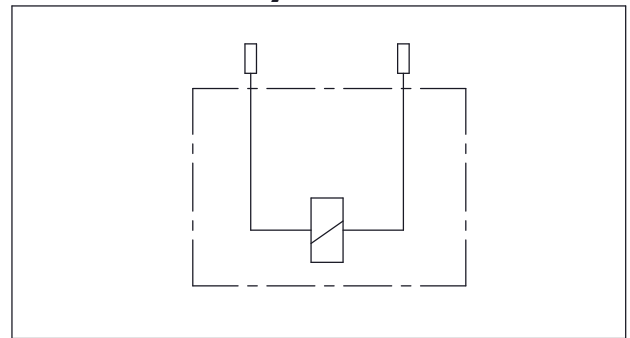
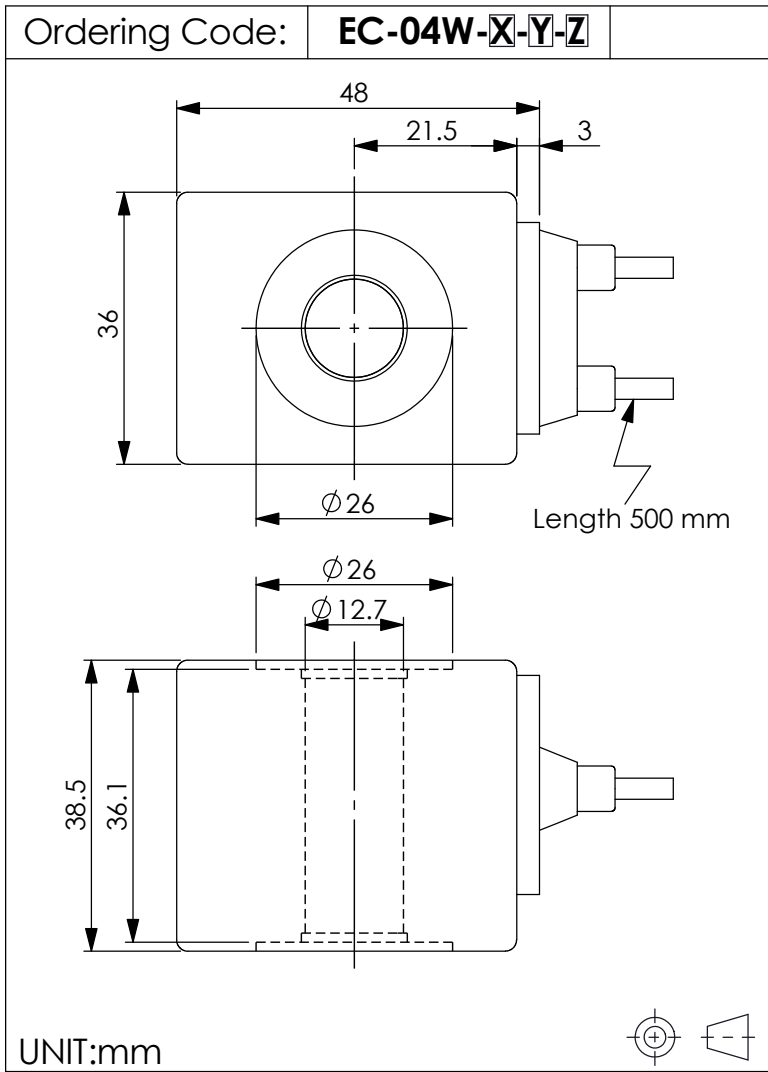


SOLENOID OPERATED VALVE

Continuous Duty Coils-ED 100%



TECHNICAL DATA	
Weight:	0.22 kg
HEAT INSULATION CLASS H:	
356°F	(180°C)
Ambient temperature range:	
-22+140°F	(-30+60°C)
Available on request: Different Voltages - Different connectors.	
Inlet voltage fluctuations must not exceed ± 10% of nominal voltage to obtain correct operation and long life of coils.	
CE approved	

X	Power (W)
200	20 Watt.

Y	Connections
C	DOUBLE LEAD (L)

Z	Voltage (V)	Resistance (Ω)	Current (A)	
	Nominal	20~25 °C	Cold Coil	Hot Coil
F	10V DC	5.0±8%	1.98	1.28
E	12V DC	7.5±7%	1.66	1.06
M	14V DC	9.3±7%	1.48	0.96
N	20V DC	20±7%	0.99	0.65
D	24V DC	28.6±7%	0.88	0.53
G	26V DC	34.2±7%	0.77	0.52
J	28V DC	39.2±7%	0.71	0.50
L	36V DC	64±7%	0.56	0.36
H	48V DC	110±7%	0.45	0.28