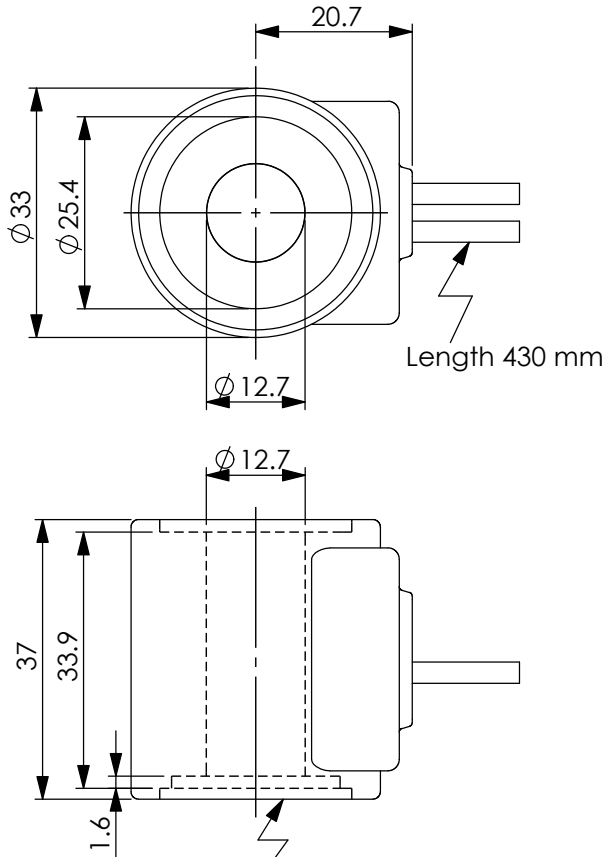
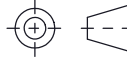


Ordering Code: **EC-04H-X-Y-Z**



While installing, please be sure that this side is toward to the solenoid cartridge valve.



UNIT:mm

### TECHNICAL DATA

Weight: 0.14 kg

HEAT INSULATION CLASS H:  
356°F | (180°C)

Ambient temperature range:  
-22+140°F | (-30+60°C)

Available on request:  
Different Voltages -  
Different connectors.

Inlet voltage fluctuations must not exceed  $\pm 10\%$  of nominal voltage to obtain correct operation and long life of coils.

CE approved

X	Power (W)	Y	Connections
147	14.7 Watt.	C	DOUBLE LEAD (L)

Z	Voltage (V)	Resistance ( $\Omega$ )	Current (A)	
	Nominal	20~25 °C	Cold Coil	Hot Coil
E	12V DC	9.8 $\pm$ 7%	1.22	0.83
D	24V DC	39.3 $\pm$ 7%	0.62	0.41