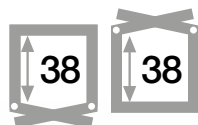


Quiet operation, stronger and quicker to open



e-chains® | Series E2i.38 | Crossbars openable along the inner radius, from both sides
e-chains® | Series E2.38 | Crossbars openable along the outer radius, from both sides

Part No. e-chains® openable along inner radius	Part No. e-chains® openable along outer radius	Bi [mm]	Ba [mm]	R Available bend radii [mm]	E2.38 [kg/m]	E2i.38 [kg/m]
E2i.38. 050 .R.0*	E2.38. 050 .R.0	50	67	063 075 100 125 150 175 200 250	≈ 1.01	≈ 1.01
E2i.38. 065 .R.0*	E2.38. 065 .R.0	65	82	063 075 100 125 150 175 200 250	≈ 1.08	≈ 1.08
E2i.38. 075 .R.0*	E2.38. 075 .R.0	75	92	063 075 100 125 150 175 200 250	≈ 1.12	≈ 1.12
E2i.38. 090 .R.0*	E2.38. 090 .R.0*	90	107	063 075 100 125 150 175 200 250	≈ 1.19	≈ 1.19
E2i.38. 100 .R.0*	E2.38. 100 .R.0	100	117	063 075 100 125 150 175 200 250	≈ 1.22	≈ 1.22
E2i.38. 125 .R.0*	E2.38. 125 .R.0*	125	142	063 075 100 125 150 175 200 250	≈ 1.33	≈ 1.33
E2i.38. 150 .R.0*	E2.38. 150 .R.0*	150	167	063 075 100 125 150 175 200 250	≈ 1.44	≈ 1.44
E2i.38. 175 .R.0*	E2.38. 175 .R.0*	175	192	063 075 100 125 150 175 200 250	≈ 1.55	≈ 1.55

*Width available upon request. Please consult igus® for delivery time.

Complete Part No. with required radius (R). Example: **E2.38.065.100.0**

Reduce assembly time - E2.1 e-chain® opener

- igus® e-chain® opener for rapid opening in seconds, available for Series E2.38
 - Reduce opening times from 33 to 2 seconds
 - Open a long e-chain® section in one go
- More information ► www.igus.co.uk/E2.1opener

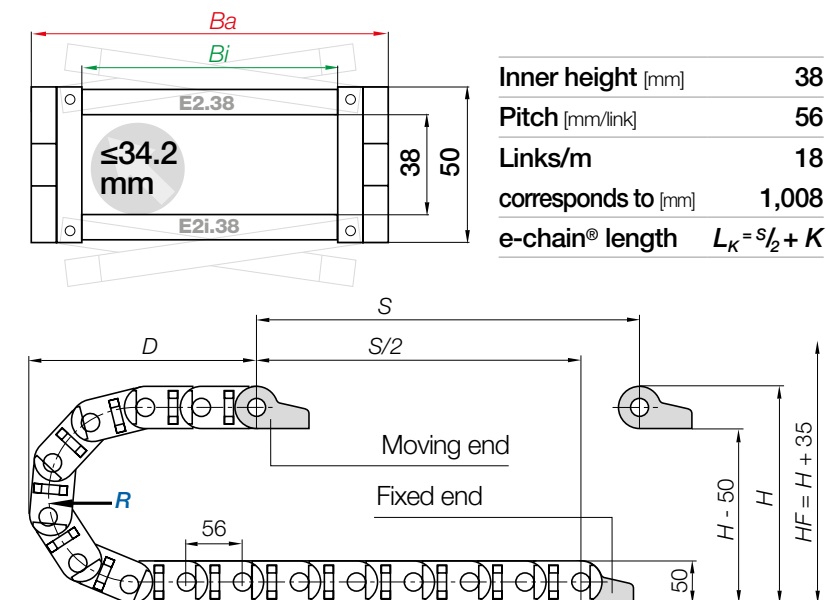
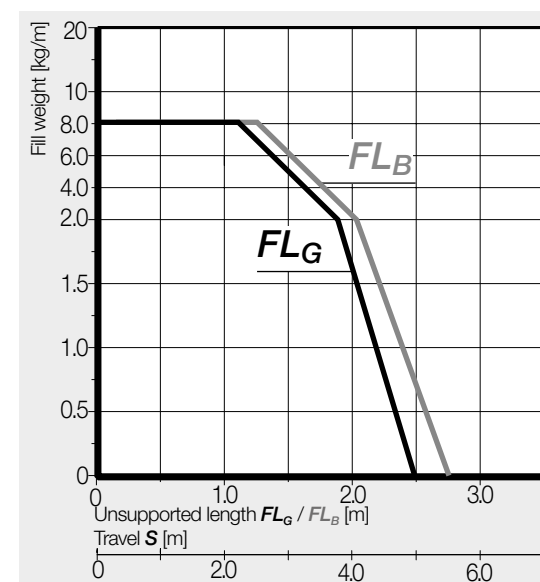
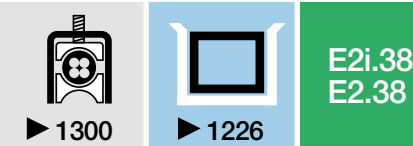


Aluminium support tray

- Corrosion-resistant and seawater-resistant aluminium rails with adjustable width
 - Noise-reducing glide strip integrated as standard
 - Easy installation and connection of the e-chain®
 - Open design - dirt and debris fall through
- More information ► From page 1270



Unsupported applications | Short travels



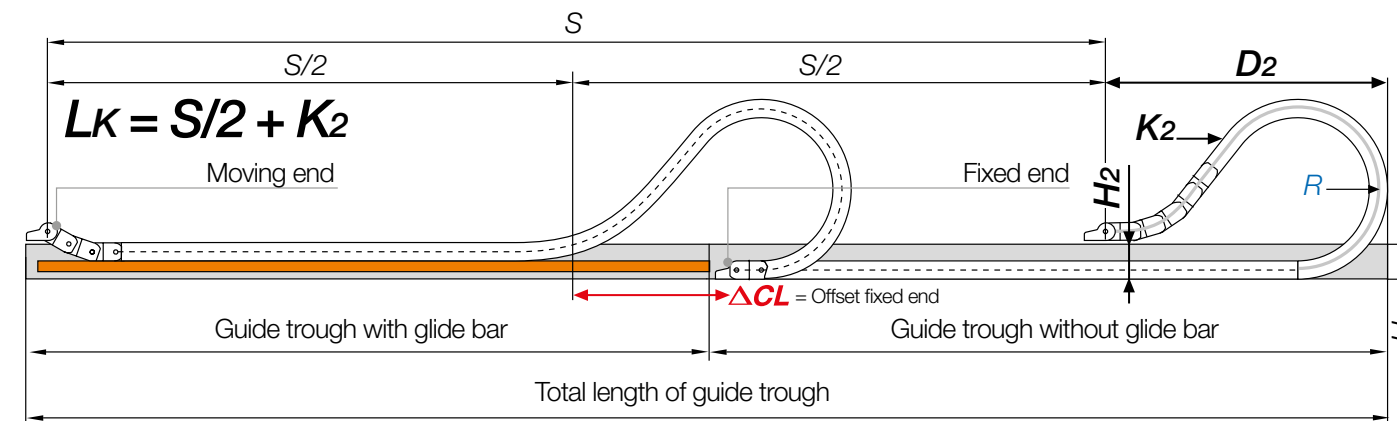
Inner height [mm]	38
Pitch [mm/link]	56
Links/m	18
corresponds to [mm]	1,008
e-chain® length $L_K = \frac{S}{2} + K$	

R	063	075	100	125	150	175	200	250
H	176	200	250	300	350	400	450	550
D	172	184	209	234	259	284	309	359
K	310	350	430	505	585	665	745	900

The required clearance height: $H_F = H + 35\text{mm}$ (with 2.0kg/m fill weight)

Before using series E2i.38 on long travels please consult igus®.

Gliding applications | For long travels from 10m to max. 120m



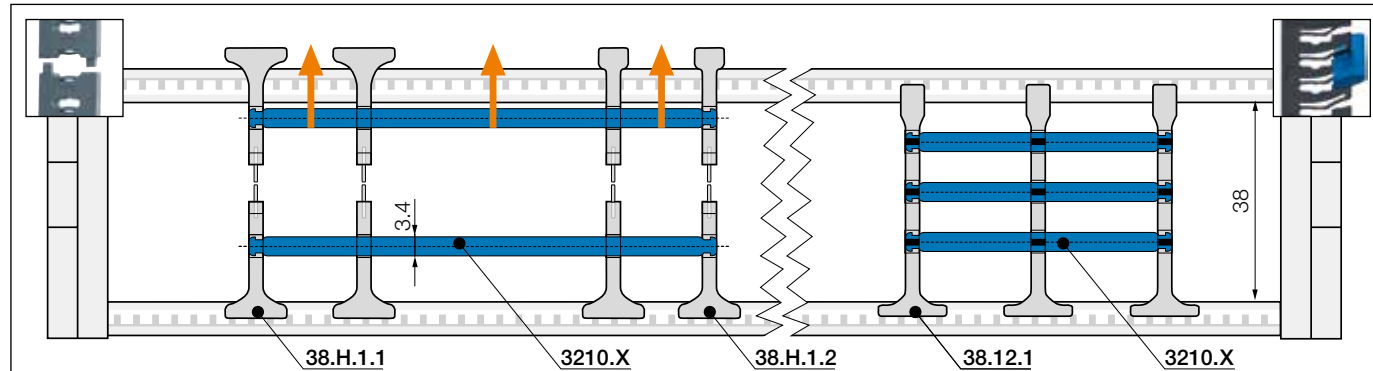
Note: Before using series E2i.38 on long travels please consult igus®.

For long travels, igus® recommends series E2.38 openable along the outer radius.

In case of travels between 5 and 10m we recommend an e-chain® with a longer unsupported length.

R	063	075	100	125	150	175	200	250
H ₂	176	200	166	166	166	166	166	166
D ₂ ⁺²⁵	172	184	395	510	545	700	805	995
K ₂	310	350	616	784	896	1,120	1,288	1,624
ΔCL	-	-	144	244	244	374	464	594

Before using series E2i.38 on long travels please consult igus®.



No lateral gap to side links necessary.
As standard separators are fitted every 2nd e-chain® link!

		Split separator, wide base/top
		unassembled 38.H.1 assembled 38.H.1.1

Split separators

In order to fill e-chains® more easily and effectively, these separators can be split in the middle. This allows easier access to middle shelf partitions. Fast assembly and easy retrofit. 2 types available: with wide or narrow top.

		Split separator, narrow top
		unassembled 38.H.2 assembled 38.H.2.1

		Lean separator
		unassembled 38.12 assembled 38.12.1

Lean separators

New design allows extremely fast fitting of shelves in several layers, which significantly reduces assembly time. Enables extremely fast replacement of individual cables in a very full e-chain®.



Lean separator design - several layers of cables fitted quickly, save up to 50%* assembly time

(*Lean separator vs. standard separator - measured on a 4m long e-chain® fitted with 12 cables in the igus® readychain® factory)

