

Since 1929, Parker has served our customers by providing dependable fluid power technology. Much of our expertise originates with Parker's precision-made industrial and general purpose tube fittings. With more than 80 years of experience in product design, engineering, applications technology and manufacturing, Parker leads the industry in delivering fittings for a diverse range of applications around the world.

Common features, advantages and benefits of the EO Bite type system

Field assembly

- EO fittings can be assembled virtually anywhere with just a couple of wrenches. For stainless steel tube simple presetting tools are available. No additional equipment or machine is required

Available sizes

- Most EO fittings are available in 25 sizes from 4 to 42 mm tube OD. Additional reducers allow optimum dimensioning of each individual fluid line. This saves space and material costs.

Tube material

- EO-bite type fittings can be used with most tube materials, such as high and low-grade steel or stainless steel, copper, aluminium or CuNiFe. Even plastic tubes such as nylon, polyurethane, PVC or PTFE can be easily connected by using additional support sleeves E.

Reduced torque

- All nuts of EO-fittings are coated with a highly effective lubricant. Reduced assembly effort help to prevent underassembly which is the most common reason for bite type fitting failure.

Silver plated nuts

- Stainless steel tube nuts are prelubricated with silver plated threads (size 15L-42L, 12S-38S). The threads of smaller sized stainless steel nuts are waxed. Thread galling is eliminated and assembly torque is reduced by as much as 40 percent. The EODUR treatment increases the speed and efficiency of stainless steel fitting assembly.

Broad range of configurations

- EO fittings are available in more than 50 configurations. Especially for orientable fittings there is a wide variety of banjos, adjustable elbows or swivel combinations that allow an optimum solution for each application.

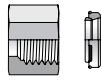
All data mentioned in this catalog have been compiled with the utmost care. Nevertheless, we don't accept any liability for any damage as a result from a possible error or omission that might occur in this publication.

We also reserve the right to make additions or changes without prior notice.

Fitting components



FM
P. 16



FORM
P. 18



M
P. 20



D
P. 21

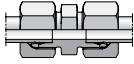


PSR
P. 21

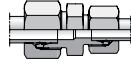


DPR
P. 22

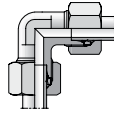
Tube to tube



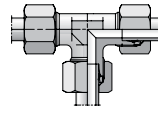
G
P. 23



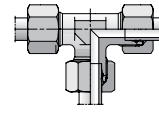
GR
P. 24



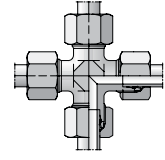
W
P. 25



T
P. 26



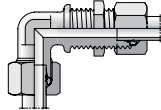
TR
P. 27



K
P. 29

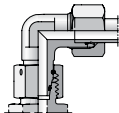


SV
P. 30

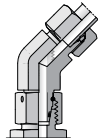


WSV
P. 31

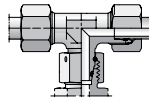
Tube to swivel



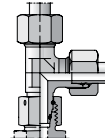
EW
P. 32



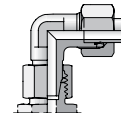
EV
P. 33



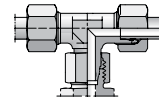
ET
P. 34



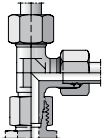
EL
P. 35



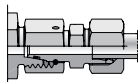
EVW
P. 36



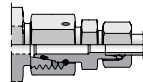
EVT
P. 37



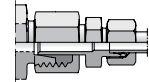
EVL
P. 38



DA
P. 39

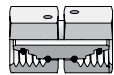


RED
P. 40

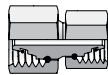


KOR (Steel/Brass)
P. 44

Swivel to swivel



GZ
P. 48

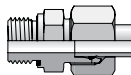


GZR
P. 49

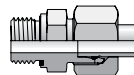
Male stud connector



GEO
P. 51



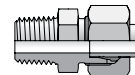
GE-M-ED
P. 52



GE-R-ED
P. 53



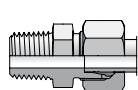
GE-R
P. 55



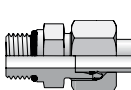
GE-R(KEG)
P. 57



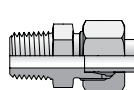
GE-M
P. 58



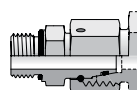
GE-M(KEG)
P. 59



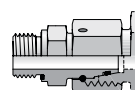
GE-UNF
P. 60



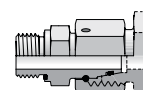
GE-NPT
P. 61



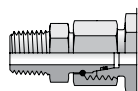
EGE0
P. 63



EGE-M-ED
P. 64

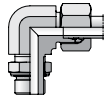


EGE-R-ED
P. 65

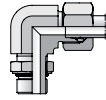


EGE-NPT
P. 66

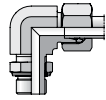
Locknut adjustable



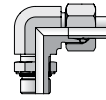
WEE-R
P. 67



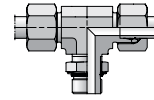
WEE-OR
P. 68



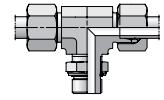
WEE-M
P. 68



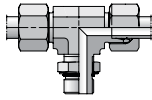
WEE-UNF
P. 68



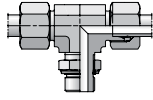
TEE-OR
P. 68



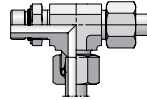
TEE-M
P. 68



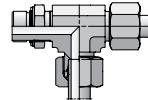
TEE-R
P. 68



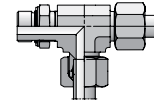
TEE-UNF
P. 68



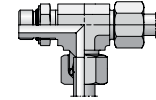
LEE-OR
P. 68



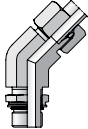
LEE-M
P. 68



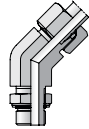
LEE-R
P. 68



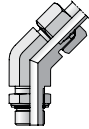
LEE-UNF
P. 68



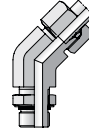
VEE-OR
P. 68



VEE-M
P. 68

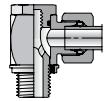


VEE-R
P. 68

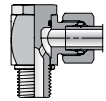


VEE-UNF
P. 68

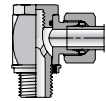
Banjo fittings



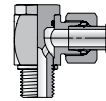
WH-M-KDS
P. 69



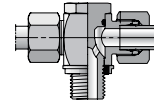
WH-M
P. 70



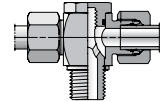
WH-R-KDS
P. 71



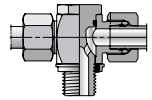
WH-R
P. 72



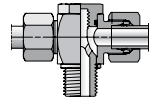
TH-M-KDS
P. 73



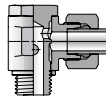
TH-M
P. 74



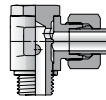
TH-R-KDS
P. 75



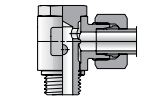
TH-R
P. 76



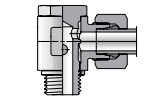
SWVE-M
P. 77



SWVE-R
P. 78

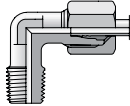


DSVW-M
P. 79

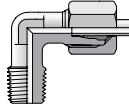


DSVW-R
P. 80

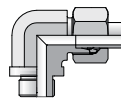
Non adjustable



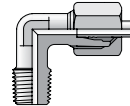
WE-NPT
P. 81



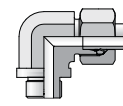
WE-M(KEG)
P. 82



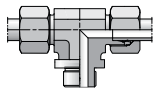
WE-M
P. 83



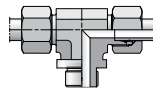
WE-R(KEG)
P. 84



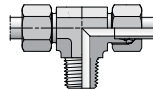
WE-R
P. 85



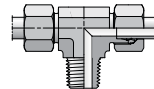
TE-M
P. 86



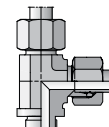
TE-R
P. 87



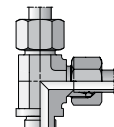
TE-R(KEG)
P. 88



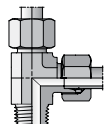
TE-M(KEG)
P. 89



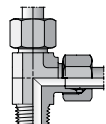
LE-M
P. 90



LE-R
P. 91

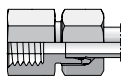


LE-R(KEG)
P. 92

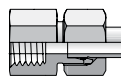


LE-M(KEG)
P. 93

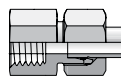
Tube to female



GAI-M
P. 94



GAI-R
P. 95



GAI-NPT
P. 96

Port reducers

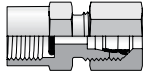


RI-ED
P. 97

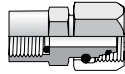


RI
P. 98

Pressure gauge adapters

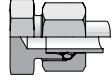


MAV
P. 99



MAVE
P. 100

Plugs



ROV
P. 101



VSTI M-OR
P. 102



VSTI M/R-ED
P. 103



VKA
P. 104



VKAM
P. 105

Components



GM
P. 106



VH
P. 107



E
P. 108



DOZ
P. 109



ED
P. 110



OR
P. 111



DKI
P. 112



KDS
P. 112



KD
P. 113

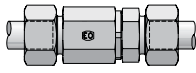


DKAZ
P. 114

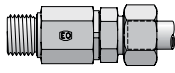


DKA
P. 115

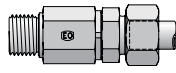
Rotary fittings



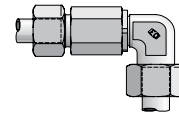
DG101
P. 119



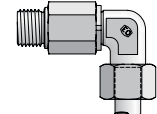
DG102-R
P. 120



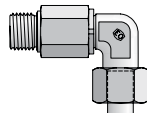
DG102-M
P. 121



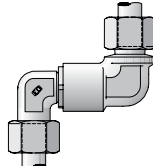
DG103
P. 122



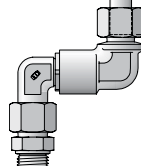
DG104-R
P. 123



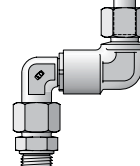
DG104-M
P. 124



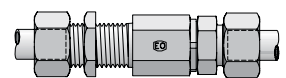
DG105
P. 125



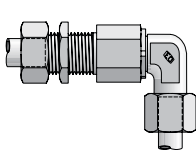
DG106-R
P. 126



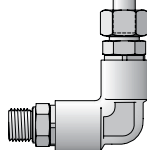
DG106-M
P. 127



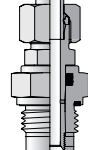
DG107
P. 128



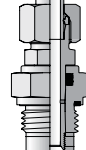
DG108
P. 129



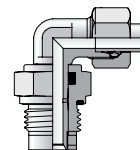
DG208-R
P. 130



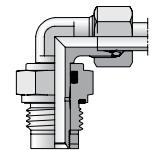
DVGE-R
P. 131



DVGE-M
P. 132

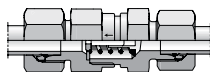


DVWE-R
P. 133

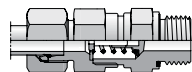


DVWE-M
P. 134

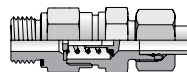
Valves



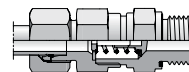
RHD
P. 140



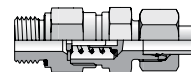
RHV-R-ED
P. 141



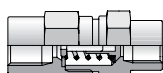
RHZ-R-ED
P. 142



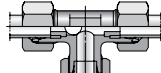
RHV-M-ED
P. 143



RHZ-M-ED
P. 144

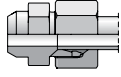


RHD
P. 145

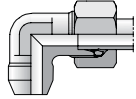


WV
P. 146

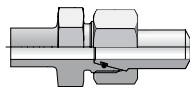
Weld fittings



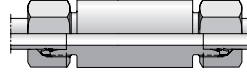
AS
P. 147



WAS
P. 148



ASK
P. 149



ESV
P. 150



SKA
P. 151



SKAR
P. 153

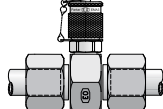


SKA-ORB
P. 155

Test points



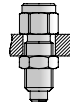
EMA3
P. 157



GMA3
P. 158



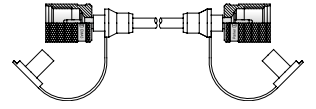
VKA3
P. 159



MAV...MA3
P. 160

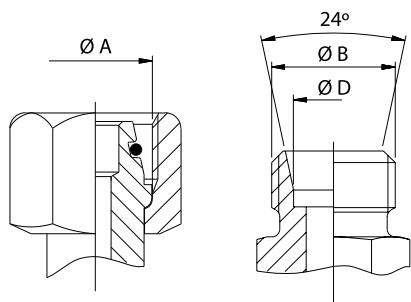


MAVMD...MA3
P. 160



SMA3
P. 160

DIN 24° light (L) and heavy series (S) with O-ring



The male has a 24° sealing angle cone seat with straight metric threads. The female has a 24° convex cone with O-ring and a swivel straight metric threaded nut.

M12x1.5
Ø 12

M14x1.5
Ø 14

M16x1.5
Ø 16

M18x1.5
Ø 18

M20x1.5
Ø 20

M22x1.5
Ø 22

M24x1.5
Ø 24

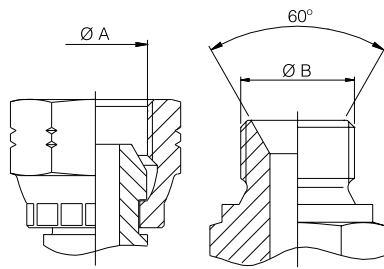
M26x1.5
Ø 26

M30x2.0
Ø 30

M36x2.0
Ø 36

Tube O.D.	Size	Thread Metric	ØA (mm)	ØB (mm)	ØD (mm)
6,00	6L	M12x1.5	10,50	12,00	6,20
6,00	6S	M14x1.5	12,50	14,00	6,20
8,00	8L	M14x1.5	12,50	14,00	8,20
8,00	8S	M16x1.5	14,50	16,00	8,20
10,00	10L	M16x1.5	14,50	16,00	10,20
10,00	10S	M18x1.5	16,50	18,00	10,20
12,00	12L	M18x1.5	16,50	18,00	12,20
12,00	12S	M20x1.5	18,50	20,00	12,20
14,00	14S	M22x1.5	20,50	22,00	14,20
15,00	15L	M22x1.5	20,50	22,00	15,20
16,00	16S	M24x1.5	22,50	24,00	16,20
18,00	18L	M26x1.5	24,50	26,00	18,20
20,00	20S	M30x2.0	27,90	30,00	20,20
22,00	22L	M30x2.0	27,90	30,00	22,20
25,00	25S	M36x2.0	33,90	36,00	25,20
28,00	28L	M36x2.0	33,90	36,00	28,20
30,00	30S	M42x2.0	39,90	42,00	30,20
35,00	35L	M45x2.0	42,90	45,00	35,30
38,00	38S	M52x2.0	49,90	52,00	38,30
42,00	42L	M52x2.0	49,90	52,00	42,30

BSPP metal-to-metal without O-ring



BSP thread type fittings seal use metal-to-metal angled surfaces or a combination of metal-to-metal. The angle of the sealing surfaces is 60° for both forms.

Size	Thread BSP	ØA (mm)	ØB (mm)
-2	1/8x28	8,60	9,70
-4	1/4x19	11,50	13,20
-6	3/8x19	14,90	16,70
-8	1/2x14	18,60	20,90
-10	5/8x14	20,60	22,90
-12	3/4x14	24,10	26,40
-16	1x11	30,30	33,20
-20	1-1/4x11	38,90	41,90
-24	1-1/2x11	44,90	47,80
-32	2x11	56,70	59,60

 1/8"
Ø 9,7

 1/4"
Ø 13,2

 3/8"
Ø 16,7

 1/2"
Ø 20,9

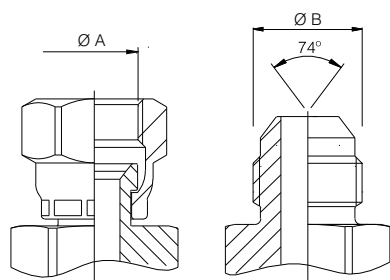
 3/4"
Ø 26,4

 1"
Ø 33,2

 1 1/4"
Ø 41,9

 1 1/2"
Ø 47,8

SAE JIC 37°



Commonly referred to as JIC fittings, these metal-to-metal sealing type fittings have a 37° flare (sealing surface angle) and straight United National Fine Threads (UNF).

7/16-20
Ø 11,1

1/2-20
Ø 12,7

9/16-18
Ø 14,3

3/4-16
Ø 19,1

7/8-14
Ø 22,2

1-1/16
Ø 27,0

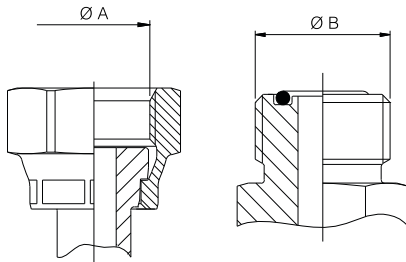
1-3/16
Ø 30,1

1-5/16
Ø 33,3

1-5/8
Ø 41,3

Tube O.D. (inch)	Tube O.D. (mm)	Thread UNF	Size	ØA (mm)	ØB (mm)
3/16"		3/8x24	-3	8,60	9,50
1/4"	6	7/16x20	-4	10,00	11,10
5/16"	8	1/2x20	-5	11,60	12,70
3/8"	10	9/16x18	-6	13,00	14,30
1/2"	12	3/4x16	-8	17,60	19,10
5/8"	14-15-16	7/8x14	-10	20,50	22,20
3/4"	18-20	1-1/16x12	-12	24,60	27,00
7/8"	22	1-3/16x12	-14	28,30	30,10
1"	25	1-5/16x12	-16	31,30	33,30
1-1/4"	30-32	1-5/8x12	-20	39,20	41,30
1-1/2"	38	1-7/8x12	-24	45,60	47,60
2"		2-1/2x12	-32	61,50	63,50

O-ring face seal (ORFS)



The female fittings have flat faces and straight threaded UNF swivel nuts. The male fittings have the O-ring in a groove in the flat face.

Tube O.D. (inch)	Tube O.D. (mm)	Thread UNF	Size	ØA (mm)	ØB (mm)
1/4"	6	9/16x18	-4	13,00	14,20
3/8"	10	11/16x16	-6	15,90	17,50
1/2"	12	13/16x16	-8	19,10	20,60
5/8"	16	1x14	-10	23,80	25,40
3/4"	20	1-3/16x12	-12	28,20	30,10
1"	25	1-7/16x12	-16	34,15	36,50
1-1/4"	32	1-11/16x12	-20	40,50	42,90
1-1/2"	38	2x12	-24	48,80	50,80

9/16
Ø 14,2

11/16
Ø 17,5

13/16
Ø 20,6

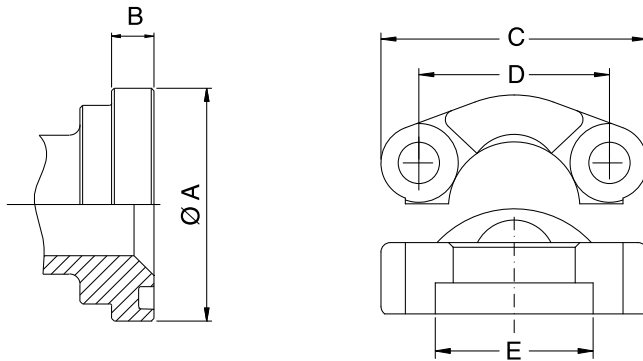
1-14
Ø 25,4

1-3/16
Ø 30,1

1-7/16
Ø 36,5

1-11/16
Ø 42,9

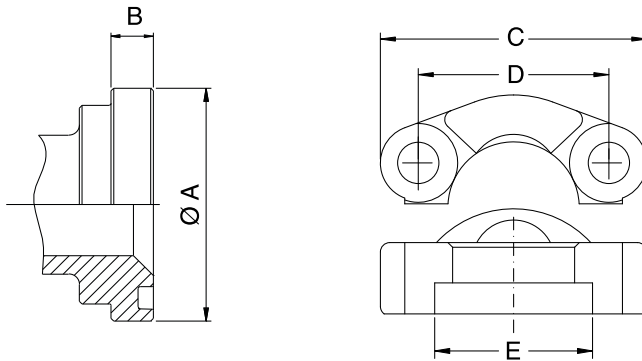
SAE Flanges ISO 6162-1 – 21.0 MPa/ 3000 psi (SFL)



The 4-bolt split flange (or full flange) fitting is used worldwide for connecting high-pressure hoses typically to pumps, motors and cylinders, where the hose assemblies are subjected to large pressure loadings. The sealing mechanism is through compression of the O-ring in the face of the flange head against the surface of the port/connection. The flange fittings are generally separated into two pressure classes referred to as 21.0 MPa/ 3000 psi (SFL) or 2.0 MPa/ 6000 psi (SFS). ISO 12151-3 refers to the flange fittings to as 21.0 MPa/ 3000 psi (SFL) or 42.0 MPa/ 6000 psi (SFS).

Flange		Ø A	B	C	D	E	O-Ring
(inch)	size	(mm)	(mm)	(mm)	(mm)	(mm)	(mm)
1/2"	-8	30,18	6,73	54,0	38,1	31,0	18.64x3.53
3/4"	-12	38,10	6,73	65,0	47,6	38,9	24.99x3.53
1"	-16	44,45	8,00	69,9	52,4	45,2	32.92x3.53
1-1/4"	-20	50,80	8,00	79,4	58,7	51,6	37.69x3.53
1-1/2"	-24	60,33	8,00	93,8	69,9	61,1	47.22x3.53
2"	-32	71,42	9,53	101,6	77,8	72,3	56.74x3.53
2-1/2"	-40	84,12	9,53	114,3	88,9	84,9	69.44x3.53
3"	-48	101,60	9,53	135,0	106,4	102,4	85.32x3.53
3-1/2"	-56	114,30	11,40	152,4	120,7	115,0	98.05x3.53
4"	-64	127,00	11,40	162,0	130,2	127,8	110.71x3.53
5"	-80	152,40	11,40	184,2	152,4	153,2	136.12x3.53

SAE Flanges ISO 6162-2 – 42.0 MPa/ 6000 psi (SFS)



The 4-bolt split flange (or full flange) fitting is used worldwide for connecting high-pressure hoses typically to pumps, motors and cylinders, where the hose assemblies are subjected to large pressure loadings. The sealing mechanism is through compression of the O-ring in the face of the flange head against the surface of the port/connection. The flange fittings are generally separated into two pressure classes referred to as 21.0 MPa/ 3000 psi (SFL) or 2.0 MPa/ 6000 psi (SFS). ISO 12151-3 refers to the flange fittings to as 21.0 MPa/ 3000 psi (SFL) or 42.0 MPa/ 6000 psi (SFS).

Flange		Ø A	B	C	D	E	O-Ring
(inch)	size	(mm)	(mm)	(mm)	(mm)	(mm)	(mm)
1/2"	-8	31,75	7,75	56,4	40,5	32,5	18.64x3.53
3/4"	-12	41,28	8,76	72,0	50,8	42,0	24.99x3.53
1"	-16	47,63	9,53	81,0	57,2	48,4	32.92x3.53
1-1/4"	-20	53,98	10,29	95,3	66,6	54,8	37.69x3.53
1-1/2"	-24	63,50	12,57	112,8	79,3	64,3	47.22x3.53
2"	-32	79,38	12,57	133,4	96,8	80,2	56.74x3.53
2-1/2"	-40	107,80	20,60	180,0	123,8	108,0	69.44x3.53
3"	-48	131,70	25,60	215,0	152,4	132,5	85.32x3.53

Technical information

Male thread						
Diameter	pitch (mm)	TPI (threads per inch)	Metric	BSP (BSPP & BSPT)	NPT	UNF JIC / SAE
9,728	1,0	28	10X1,0	1/8"		
10	1,5		10X1,5			
10,287		27			1/8"	
11,113		20				7/16"-20
12	1,5		12X1,5			
12,7		20				1/2"-20
13,157		19		1/4"		
13,718		18			1/4"	
14	1,5		14X1,5			
14,288		18				9/16"-18
15,875		18				5/8"-18
16			16X1,5			
16,662		19		3/8"		
17,145		18			3/8"	
18	1,5		18X1,5			
19,05		16				3/4"-16
20	1,5		20X1,5			
20,955		14		1/2"		
21,336		14			1/2"	
22	1,5		22X1,5			
22,225		14				7/8"-14
22,911		14		5/8"		
24	1,5		24X1,5			
26	1,5		26X1,5			
26,441		14		3/4"		
26,67		14			3/4"	
26,988		14				1.1/16"-14
26,988		12				1.1/16"-12
27	2,0		27X2,0			
30	1,5		30X1,5			
30	2,0		30X2,0			
30,163		12				1.3/16"-12
33	2,0		33X2,0			
32,249		11		1"		
33,338		12				1.5/16"-12
33,401		11,5			1"	
36	2,0		36X2,0			
38	1,5		38X1,5			
41,275		12				1.5/8"-12
41,91		11		1.1/4"		
42	2,0		42X2,0			
42,167		11,5			1.1/4"	
45	1,5		45X1,5			
45	2,0		45X2,0			
47,625		12				1.7/8"-12
47,803		11		1.1/2"		
48	2,0		48X2,0			
48,26		11,5			1.1/2"	
52	1,5		52X1,5			
52	2,0		52X2,0			
53,746		11		1.3/4"		
59,614		11		2"		
60,325		11,5			2"	
63,5		12				2.1/2"-12
65	2,0		65X2,0			

Female thread						
Diameter	pitch (mm)	TPI (threads per inch)	Metric	BSP (BSPP & BSPT)	NPT	UNF JIC / SAE
8,565		28		1/8"		
8,674		27			1/8"	
9,025	1,5		10X1,5			
9,738		20				7.16"-20
10,052	1,5		12X1,5			
11,265		18			1/4"	
11,326		20				1/2"-20
11,445		19		1/4"		
12,052			14X1,5			
12,761		18				9/16"-18
14,052	1,5		16X1,5			
14,348		18				5/8"-18
14,704		18			3/8"	
14,950		19		3/8"		
16,052	1,5		18X1,5			
17,330		16				3/4"-16
18,052			20X1,5			
18,161		14			1/2"	
18,663		14		1/2"		
20,052	1,5		22X1,5			
20,262		14				7/8"-14
20,589		14		5/8"		
22,052	1,5		24X1,5			
23,508		14			3/4"	
24,052	1,5		26X1,5			
24,120		14		3/4"		
24,402	2,0		27X2,0			
24,696		14				1.1/16"-14
24,696		12				1.1/16"-12
27,402	2,0		30X2,0			
27,871		12				1.3/16"-12
28,052	1,5		30X1,5			
29,517		11,5			1"	
30,292		11		1"		
30,402	2,0		33X2,0			
31,046		12				1.5/16"-12
33,402	2,0		36X2,0			
36,052	1,5		38X1,5			
38,252		11,5			1.1/4"	
38,953		11		1.1/4"		
38,984		11				1.5/8"-12
39,402	2,0		42X2,0			
42,402	2,0		45X2,0			
43,052	1,5		45X1,5			
44,323		11,5			1.1/2"	
44,846		11		1.1/2"		
45,334		12				1.7/8"-12
45,402	2,0		48X2,0			
49,402	2,0		52X2,0			
50,052	1,5		52X1,5			
50,790		11		1.3/4"		
56,363		11,5			2"	
56,657		11		2"		
61,209		12				2.1/2"-12
64,402	2,0		65X2,0			

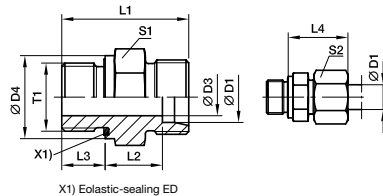
How to order

DIN fittings

The right way to order made easy!

GE-R-ED Male stud connector

Male BSPB thread – ED-seal (ISO 1179) / EO 24° cone end



Step 1
Selecting order code

- 1.1 All fitting sizes available in our fitting program are clearly listed in the index at the front of this catalogue.
- 1.2 Open the catalogue at the corresponding page containing detailed information of the product of your choice.
- 1.3 Select the required fitting size! The basic order code is printed in bold type on the right-hand side of the table of dimensions.

Example: **GE16SRED**

Step 2
Selecting material, surface and sealing material

Now simply add the corresponding code for the surface and material variant of the product you require to the basic order code. This code is contained in the table printed at the bottom of every page.

2.1 Alternative sealing material

Example: Cr(VI)-free steel fitting with ED-seal in FKM material.
GE16SRED+VIT
= GE16SREDVIT

Example: Stainless steel fitting with ED-seal in NBR material (e. g. Perbunan).
GE16SRED+NBR+71
= GE16SREDNBR71

Step 3
When ordering fittings without nuts and rings

- 3.1. Metal sealed cutting rings PSR/DPR/D: For these types please add the 'OMD' or 'X' suffixes.
 Example: **GE16SREDOMD**

Series	D1	T1	D3	D4	L1	L2	L3	L4	S1	S2	Weight g/1 piece	Order code ¹	PN (bar ²)		
													CF	71	MS
LL ²⁾	04	G 1/8 A	3	14	20.0	9.5	6.5	19	14	10	10	GE04LLRED	100	100	63
	06	G 1/8 A	4	14	20.0	8.0	6.5	20	14	12	11	GE06LLRED	100	100	63
L ³⁾	06	G 1/8 A	4	14	23.5	8.5	8.0	23	14	14	13	GE06LR	500	315	200
	06	G 1/4 A	4	19	29.0	10.0	12.0	25	19	14	28	GE06LR1/4ED	500	315	200
	06	G 3/8 A	4	22	30.5	11.5	12.0	26	22	14	44	GE06LR3/8ED	420	315	200
	06	G 1/2 A	4	27	33.0	12.0	14.0	27	27	14	61	GE06LR1/2ED	400	315	200
	06	G 1/4 A	6	19	29.0	10.0	12.0	25	19	17	27	GE06LR	500	315	200
	08	G 1/8 A	4	14	24.5	9.5	8.0	24	14	17	16	GE08LR1/8ED	500	315	200
	08	G 3/8 A	6	22	30.5	11.5	12.0	26	22	17	45	GE08LR3/8ED	420	315	200
	08	G 1/2 A	6	27	33.0	12.0	14.0	27	27	17	74	GE08LR1/2EDD	400	315	200
	10	G 1/4 A	6	19	30.0	11.0	12.0	26	19	19	29	GE10LR	500	315	200
	10	G 1/8 A	4	14	25.5	10.5	8.0	25	17	19	21	GE10LR1/8ED	500	315	200
	10	G 3/8 A	8	22	31.5	12.5	12.0	27	22	19	43	GE10LR3/8ED	420	315	200
	10	G 1/2 A	8	27	34.0	13.0	14.0	28	27	19	71	GE10LR1/2ED	400	315	200
	12	G 3/8 A	9	22	31.5	12.5	12.0	27	22	22	41	GE12LR3/8ED	420	315	200
	12	G 1/8 A	4	14	26.5	11.5	8.0	26	19	22	26	GE12LR	420	315	200
	12	G 1/4 A	6	19	31.0	12.0	12.0	27	19	22	39	GE12LR1/4ED	400	315	200
	12	G 1/2 A	10	27	34.0	13.0	14.0	28	27	22	59	GE12LR1/2ED	315	200	100
	12	G 3/4 A	10	32	37.0	14.0	16.0	29	32	22	110	GE12LR3/4ED	160	100	100
	15	G 1/2 A	11	27	35.0	14.0	14.0	29	27	27	77	GE15LR	315	200	100
	15	G 3/8 A	9	22	32.5	13.5	12.0	29	24	27	77	GE15LR3/8ED	315	200	100
	15	G 3/4 A	12	32	38.0	15.0	16.0	30	32	27	110	GE15LR3/4ED	160	100	100
	18	G 1/2 A	14	27	36.0	14.5	14.0	31	27	32	77	GE18LR	300	315	200
	18	G 3/8 A	9	22	33.5	14.0	12.0	30	27	32	66	GE18LR3/8ED	400	315	200
	18	G 3/4 A	15	32	38.0	14.5	16.0	31	32	32	110	GE18LR1/2ED	250	160	100
	22	G 3/4 A	18	32	40.0	16.5	16.0	33	32	36	102	GE22LR	250	160	100
	22	G 1/2 A	14	27	38.0	16.5	14.0	33	32	36	91	GE22LR1/2ED	250	160	100
	22	G 1 A	19	40	43.0	17.5	18.0	34	41	36	189	GE22LR1ED	250	160	100
	28	G 1 A	23	40	43.0	17.5	18.0	34	41	41	170	GE28LR	250	160	100
	28	G 3/4 A	18	32	41.0	17.5	16.0	34	41	41	159	GE28LR3/4ED	250	160	100
	28	G 1 1/4 A	24	50	46.0	18.5	20.0	35	50	41	316	GE28LR11/4ED	250	160	100
	35	G 1 1/4 A	30	50	48.0	17.5	20.0	39	50	50	272	GE35LR	250	160	100
	35	G 1 A	23	40	46.0	17.5	18.0	39	46	50	226	GE35LR1ED	250	160	100
	35	G 1 1/2 A	30	55	52.0	19.5	22.0	41	55	50	423	GE35LR11/2ED	250	160	100
	42	G 1 1/2 A	36	55	52.0	19.0	22.0	42	55	60	343	GE42LR	250	160	100
	42	G 1 A	23	40	48.0	19.0	18.0	42	55	60	324	GE42LR1ED	250	160	100
	42	G 1 1/4 A	30	50	50.0	19.0	20.0	42	55	60	348	GE42LR11/4ED	250	160	100

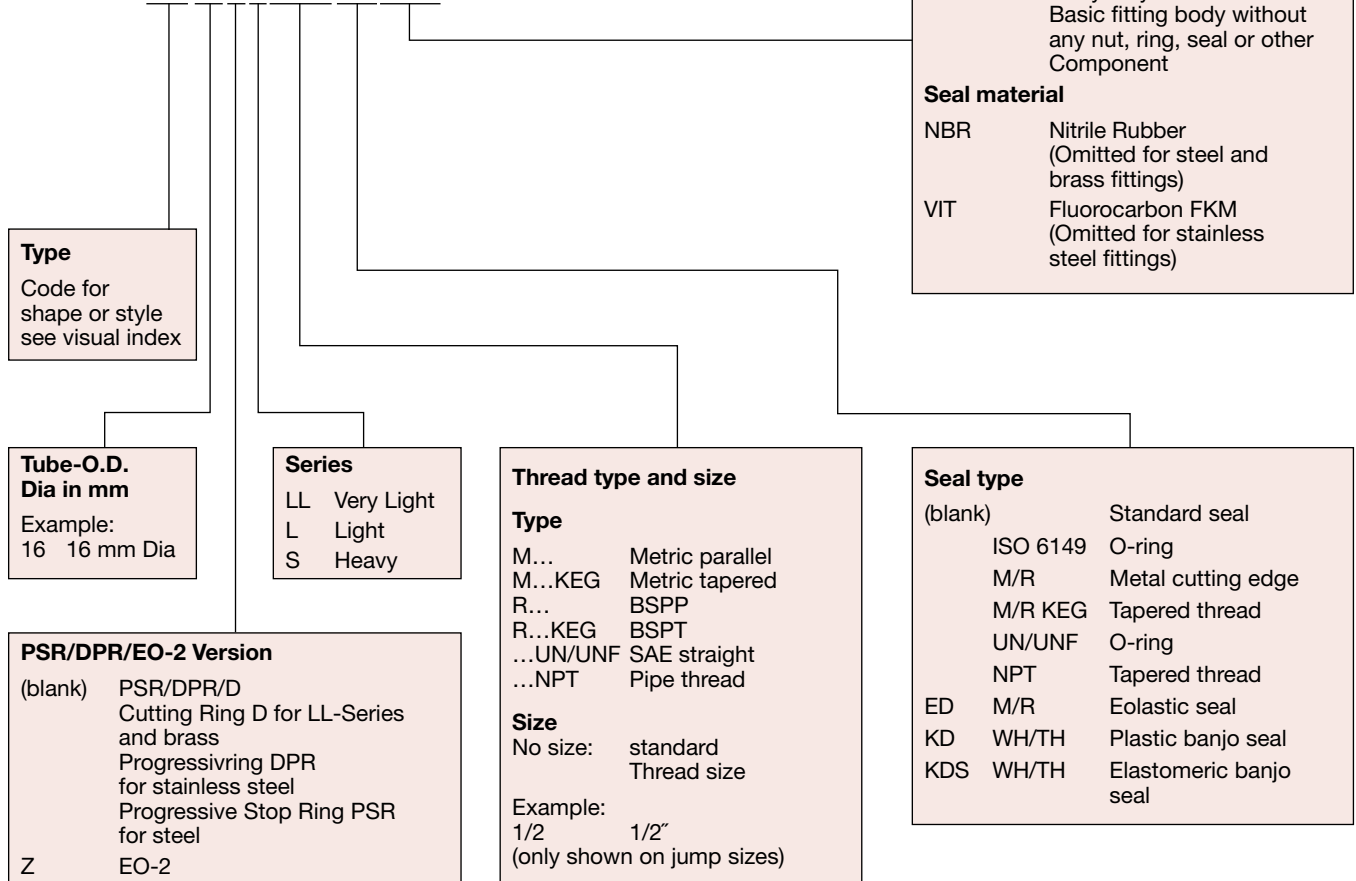
¹⁾ Pressure shown = item deliverable
²⁾ LL = very light series; ³⁾ L = light series
 PN (bar) = PN (MPa)
 10

*Please add the suffixes below according to the material/surface required.

Material	Standard sealing material (no additional suffix needed)
Steel, zinc plated, Cr(VI)-free	NBR
Stainless Steel	VIT
Brass	NBR

How to order EO-Fittings:

Nomenclature
 Example: **GE16ZSR3/8ED 71**

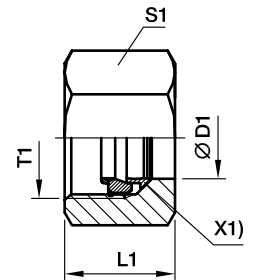


Examples	
Order code	Description
GE12ZSR1/2ED	Straight male stud, EO-2, 20 mm tube O.D., heavy series, G 1/2 BSPP, Eolastic seal, complete with nut and ring, Cr(VI)-free steel fitting, all seals NBR
GE12LR71X	Straight male stud, 12 mm tube O.D., light series, G 3/8 BSPP, metal seal type B, stainless steel fitting, body only
EVT08LOMDMS	Adjustable standpipe branch tee, 8 mm tube O.D., light series, brass fitting without nut and ring, standpipe preassembled with nut and ring.
EL38VITOMD	Adjustable swivel nut run tee 38 mm tube O.D., heavy series, zinc-plated steel fitting without nut and ring. Swivel nut end with FKM seal
DOZ04LL	Spare seal for EO-2 joints, 4 mm O.D., very light series, steel with nitrile rubber seal

Perbunan = registered trademark of Bayer

FM EO2-Functional nut

for steel tubes

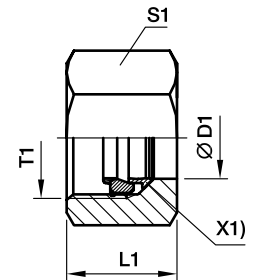


X1) Retaining ring

Series	Ø D1	T1	L1	S1	Order code				Weight g/1 piece
					FM... Steel, zinc plated Cr(VI) free passiv. +Sealing Sealing NBR	PN (bar)	FM...VIT Steel, zinc plated Cr(VI) free passiv. +Sealing Sealing FKM	PN (bar)	
LL	04	M 08×1.0	11.0	10	FM04LL	100		100	5
	06	M 10×1.0	11.5	12					6
L	06	M 12×1.5	14.5	14	FM06L	500	FM06LVIT	500	12
	08	M 14×1.5	14.5	17	FM08L	500	FM08LVIT	500	17
	10	M 16×1.5	15.5	19	FM10L	500	FM10LVIT	500	22
	12	M 18×1.5	15.5	22	FM12L	400	FM12LVIT	400	30
	15	M 22×1.5	17.0	27	FM15L	400	FM15LVIT	400	48
	18	M 26×1.5	18.0	32	FM18L	400	FM18LVIT	400	70
	22	M 30×2.0	20.0	36	FM22L	250	FM22LVIT	250	94
	28	M 36×2.0	21.0	41	FM28L	250	FM28LVIT	250	106
	35	M 45×2.0	24.0	50	FM35L	250	FM35LVIT	250	160
	42	M 52×2.0	24.0	60	FM42L	250	FM42LVIT	250	244
S	06	M 14×1.5	16.5	17	FM06S	800	FM06SVIT	800	20
	08	M 16×1.5	16.5	19	FM08S	800	FM08SVIT	800	23
	10	M 18×1.5	17.5	22	FM10S	800	FM10SVIT	800	37
	12	M 20×1.5	17.5	24	FM12S	630	FM12SVIT	630	39
	14	M 22×1.5	20.5	27	FM14S	630	FM14SVIT	630	60
	16	M 24×1.5	20.5	30	FM16S	630	FM16SVIT	630	72
	20	M 30×2.0	24.0	36	FM20S	420	FM20SVIT	420	121
	25	M 36×2.0	27.0	46	FM25S	420	FM25SVIT	420	221
	30	M 42×2.0	29.0	50	FM30S	420	FM30SVIT	420	248
	38	M 52×2.0	32.5	60	FM38S	420	FM38SVIT	420	367

FM EO2-Functional nut

for stainless steel tubes

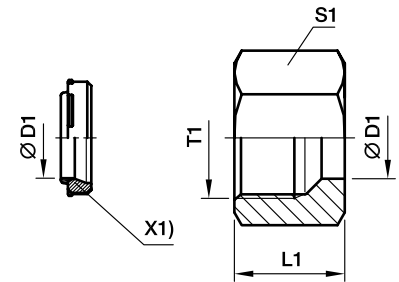


X1) Retaining ring

Series	Ø D1	T1	L1	S1	Order code								Weight g/1 piece
					FM...71 Stainless Steel		FM...NBR71 Stainless Steel		FM...SSA Steel, zinc plated Cr(VI) free passiv. +Sealing, Retaining ring: Stainless Steel		FM...VITSSA Steel, zinc plated Cr(VI) free passiv. +Sealing, Retaining ring: Stainless Steel		
					Sealing FKM	PN (bar)	Sealing NBR	PN (bar)	Sealing NBR	PN (bar)	Sealing FKM	PN (bar)	
LL	04	M 08×1.0	11.0	10					FM04LLSSA	100			5
	06	M 10×1.0	11.5	12					FM06LLSSA	100			6
L	06	M 12×1.5	14.5	14	FM06L71	315	FM06LNBR71	315	FM06LSSA	315	FM06LVITSSA	315	12
	08	M 14×1.5	14.5	17	FM08L71	315	FM08LNBR71	315	FM08LSSA	315	FM08LVITSSA	315	17
	10	M 16×1.5	15.5	19	FM10L71	315	FM10LNBR71	315	FM10LSSA	315	FM10LVITSSA	315	22
	12	M 18×1.5	15.5	22	FM12L71	315	FM12LNBR71	315	FM12LSSA	315	FM12LVITSSA	315	30
	15	M 22×1.5	17.0	27	FM15L71	315	FM15LNBR71	315	FM15LSSA	315	FM15LVITSSA	315	48
	18	M 26×1.5	18.0	32	FM18L71	315	FM18LNBR71	315	FM18LSSA	315	FM18LVITSSA	315	70
	22	M 30×2.0	20.0	36	FM22L71	160	FM22LNBR71	160	FM22LSSA	160	FM22LVITSSA	160	94
	28	M 36×2.0	21.0	41	FM28L71	160	FM28LNBR71	160	FM28LSSA	160	FM28LVITSSA	160	106
	35	M 45×2.0	24.0	50	FM35L71	160	FM35LNBR71	160	FM35LSSA	160	FM35LVITSSA	160	160
	42	M 52×2.0	24.0	60	FM42L71	160	FM42LNBR71	160	FM42LSSA	160	FM42LVITSSA	160	244
S	06	M 14×1.5	16.5	17	FM06S71	630	FM06SNBR71	630	FM06SSSA	630	FM06SVITSSA	630	20
	08	M 16×1.5	16.5	19	FM08S71	630	FM08SNBR71	630	FM08SSSA	630	FM08SVITSSA	630	23
	10	M 18×1.5	17.5	22	FM10S71	630	FM10SNBR71	630	FM10SSSA	630	FM10SVITSSA	630	37
	12	M 20×1.5	17.5	24	FM12S71	630	FM12SNBR71	630	FM12SSSA	630	FM12SVITSSA	630	39
	14	M 22×1.5	20.5	27	FM14S71	630	FM14SNBR71	630	FM14SSSA	630	FM14SVITSSA	630	60
	16	M 24×1.5	20.5	30	FM16S71	400	FM16SNBR71	400	FM16SSSA	400	FM16SVITSSA	400	72
	20	M 30×2.0	24.0	36	FM20S71	400	FM20SNBR71	400	FM20SSSA	400	FM20SVITSSA	400	121
	25	M 36×2.0	27.0	46	FM25S71	400	FM25SNBR71	400	FM25SSSA	400	FM25SVITSSA	400	221
	30	M 42×2.0	29.0	50	FM30S71	400	FM30SNBR71	400	FM30SSSA	400	FM30SVITSSA	400	248
	38	M 52×2.0	32.5	60	FM38S71	315	FM38SNBR71	315	FM38SSSA	315	FM38SVITSSA	315	367

EO2-FORM Set

for steel tubes

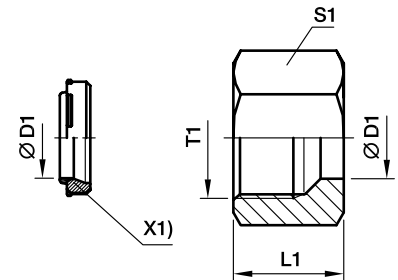


X1) Sealing (DOZ)

Series	\varnothing D1	T1	L1	S1	Order code		PN (bar)	Weight g/1 piece
					FORM...CF Steel, zinc plated Cr(VI) free +Seal NBR	FORM...VITCF Steel, zinc plated Cr(VI) free +Seal FKM		
L	06	M 12×1.5	14.5	14	FORM06L	FORM06LVIT	500	11
	08	M 14×1.5	14.5	17	FORM08L	FORM08LVIT	500	16
	10	M 16×1.5	15.5	19	FORM10L	FORM10LVIT	500	20
	12	M 18×1.5	15.5	22	FORM12L	FORM12LVIT	400	27
	15	M 22×1.5	17.0	27	FORM15L	FORM15LVIT	400	45
	18	M 26×1.5	18.0	32	FORM18L	FORM18LVIT	400	67
	22	M 30×2.0	20.0	36	FORM22L	FORM22LVIT	250	88
	28	M 36×2.0	21.0	41	FORM28L	FORM28LVIT	250	99
	35	M 45×2.0	24.0	50	FORM35L	FORM35LVIT	250	162
42	M 52×2.0	24.0	60	FORM42L	FORM42LVIT	250	233	
S	06	M 14×1.5	16.5	17	FORM06S	FORM06SVIT	800	19
	08	M 16×1.5	16.5	19	FORM08S	FORM08SVIT	800	22
	10	M 18×1.5	17.5	22	FORM10S	FORM10SVIT	800	34
	12	M 20×1.5	17.5	24	FORM12S	FORM12SVIT	630	38
	14	M 22×1.5	20.5	27	FORM14S	FORM14SVIT	630	57
	16	M 24×1.5	20.5	30	FORM16S	FORM16SVIT	630	71
	20	M 30×2.0	24.0	36	FORM20S	FORM20SVIT	420	115
	25	M 36×2.0	27.0	46	FORM25S	FORM25SVIT	420	216
	30	M 42×2.0	29.0	50	FORM30S	FORM30SVIT	420	242
38	M 52×2.0	32.5	60	FORM38S	FORM38SVIT	420	366	

EO2-FORM Set

for stainless steel tubes

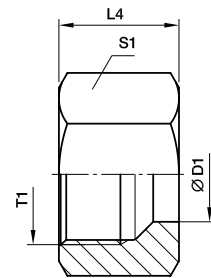


X1) Sealing (DOZ)

Series	Ø D1	T1	L1	S1	Order code				PN (bar)	Weight g/1 piece
					FORM...71 Stainless Steel Sealing FKM	FORM...NBR71 Stainless Steel Sealing NBR	FORM...CF Steel, zinc plated Cr(VI) free +Seal NBR	FORM...VITCF Steel, zinc Cr(VI) free +Seal FKM		
L	06	M 12×1.5	14.5	14	FORM06L71	FORM06LNBR71	FORM06L	FORM06LVIT	315	11
	08	M 14×1.5	14.5	17	FORM08L71	FORM08LNBR71	FORM08L	FORM08LVIT	315	16
	10	M 16×1.5	15.5	19	FORM10L71	FORM10LNBR71	FORM10L	FORM10LVIT	315	21
	12	M 18×1.5	15.5	22	FORM12L71	FORM12LNBR71	FORM12L	FORM12LVIT	315	27
	15	M 22×1.5	17.0	27	FORM15L71	FORM15LNBR71	FORM15L	FORM15LVIT	315	46
	18	M 26×1.5	18.0	32	FORM18L71	FORM18LNBR71	FORM18L	FORM18LVIT	315	68
	22	M 30×2.0	20.0	36	FORM22L71	FORM22LNBR71	FORM22L	FORM22LVIT	160	89
	28	M 36×2.0	21.0	41	FORM28L71	FORM28LNBR71	FORM28L	FORM28LVIT	160	101
	35	M 45×2.0	24.0	50	FORM35L71	FORM35LNBR71	FORM35L	FORM35LVIT	160	165
	42	M 52×2.0	24.0	60	FORM42L71	FORM42LNBR71	FORM42L	FORM42LVIT	160	237
S	06	M 14×1.5	16.5	17	FORM06S71	FORM06SNBR71	FORM06S	FORM06SVIT	630	19
	08	M 16×1.5	16.5	19	FORM08S71	FORM08SNBR71	FORM08S	FORM08SVIT	630	22
	10	M 18×1.5	17.5	22	FORM10S71	FORM10SNBR71	FORM10S	FORM10SVIT	630	35
	12	M 20×1.5	17.5	24	FORM12S71	FORM12SNBR71	FORM12S	FORM12SVIT	630	39
	14	M 22×1.5	20.5	27	FORM14S71	FORM14SNBR71	FORM14S	FORM14SVIT	630	58
	16	M 24×1.5	20.5	30	FORM16S71	FORM16SNBR71	FORM16S	FORM16SVIT	400	71
	20	M 30×2.0	24.0	36	FORM20S71	FORM20SNBR71	FORM20S	FORM20SVIT	400	117
	25	M 36×2.0	27.0	46	FORM25S71	FORM25SNBR71	FORM25S	FORM25SVIT	400	219
	30	M 42×2.0	29.0	50	FORM30S71	FORM30SNBR71	FORM30S	FORM30SVIT	400	246
	38	M 52×2.0	32.5	60	FORM38S71	FORM38SNBR71	FORM38S	FORM38SVIT	315	372

M Nut - EO 24° Cone end

for EO 24° cone end



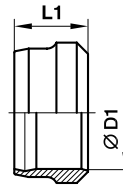
Nut: M

Series	Ø D1	T1	L4	S1	Weight g/1 piece	Order code	PN (bar)		
							CF	71	MS
LL	04	M 08×1.0	11.0	10	4	M04LL	100	100	63
	06	M 10×1.0	11.5	12	6	M06LL	100	100	63
	08	M 12×1.0	12.0	14	7	M08LL	100	100	63
	10	M 14×1.0	12.5	17	11	M10LL	100	100	63
	12	M 16×1.0	13.0	19	13	M12LL	100	100	63
L	06	M 12×1.5	14.5	14	10	M06L	500	315	200
	08	M 14×1.5	14.5	17	15	M08L	500	315	200
	10	M 16×1.5	15.5	19	18	M10L	500	315	200
	12	M 18×1.5	15.5	22	25	M12L	400	315	200
	15	M 22×1.5	17.0	27	42	M15L	400	315	200
	18	M 26×1.5	18.0	32	62	M18L	400	315	200
	22	M 30×2.0	20.0	36	82	M22L	250	160	100
	28	M 36×2.0	21.0	41	89	M28L	250	160	100
	35	M 45×2.0	24.0	50	137	M35L	250	160	100
42	M 52×2.0	24.0	60	216	M42L	250	160	100	
S	06	M 14×1.5	16.5	17	17	M06S	800	630	400
	08	M 16×1.5	16.5	19	20	M08S	800	630	400
	10	M 18×1.5	17.5	22	31	M10S	800	630	400
	12	M 20×1.5	17.5	24	34	M12S	630	630	400
	14	M 22×1.5	20.5	27	53	M14S	630	630	400
	16	M 24×1.5	20.5	30	66	M16S	630	400	250
	20	M 30×2.0	24.0	36	102	M20S	420	400	250
	25	M 36×2.0	27.0	46	202	M25S	420	400	250
	30	M 42×2.0	29.0	50	219	M30S	420	400	250
38	M 52×2.0	32.5	60	339	M38S	420	315	200	

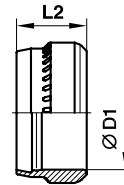
Order code suffixes			
	Stainless Steel	Brass	
Suffix	71	MS	
Example	M16S71	M16SMS	

D - Cutting ring / PSR - Progressive stop ring

for EO 24° cone end



Cutting ring: D

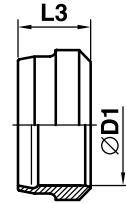


Progressive stop ring: PSR

Series	Ø D1	L1	Cutting ring D						Progressive stop ring PSR			Weight g/1 pc.
			Steel, zinc plated Cr(VI) free	PN (bar)	Stainless Steel	PN (bar)	Brass	PN (bar)	L2	Order code Steel, zinc plated Cr(VI) free	PN (bar)	
LL	04	6.0	D04LLX	100	D04LL71X	100	D04LLMS	63				0.3
	06	7.0	D06LLX	100	D06LL71X	100	D06LLMS	63				0.8
	08	7.0	D08LLX	100	D08LL71X	100	D08LLMS	63				1.0
	10	7.0	D10LLX	100	D10LL71X	100	D10LLMS	63				1.3
	12	7.5	D12LLX	100	D12LL71X	100	D12LLMS	63				1.6
L	06	9.5					D06LMS	200	9.5	PSR06LX	500	1.7
	08	9.0					D08LMS	200	9.5	PSR08LX	500	2.2
	10	10.0					D10LMS	200	10.0	PSR10LX	500	3.1
	12	10.0					D12LMS	200	10.0	PSR12LX	400	3.5
	15	10.0					D15LMS	200	10.0	PSR15LX	400	4.5
	18	10.0					D18LMS	200	10.0	PSR18LX	400	5.5
	22	10.5					D22LMS	100	10.5	PSR22LX	250	7.3
	28	10.5					D28LMS	100	10.5	PSR28LX	250	9.4
	35	13.0					D35LMS	100	13.0	PSR35LX	250	20.0
S	06	9.5					D06LMS	400	9.5	PSR06LX	800	1.7
	08	9.0					D08LMS	400	9.5	PSR08LX	800	3.2
	10	10.0					D10LMS	400	10.0	PSR10LX	800	3.1
	12	10.0					D12LMS	400	10.0	PSR12LX	630	3.5
	14	10.0					D14SMS	400	10.0	PSR14SX	630	3.9
	16	10.5					D16SMS	250	10.0	PSR16SX	630	5.6
	20	12.5					D20SMS	250	13.0	PSR20SX	420	11.4
	25	12.5					D25SMS	250	13.0	PSR25SX	420	13.3
	30	13.0					D30SMS	250	13.0	PSR30SX	420	19.3
	38	13.5					D38SMS	200	13.0	PSR38SX	420	22.5

DPR - Progressive ring

for EO 24° cone end

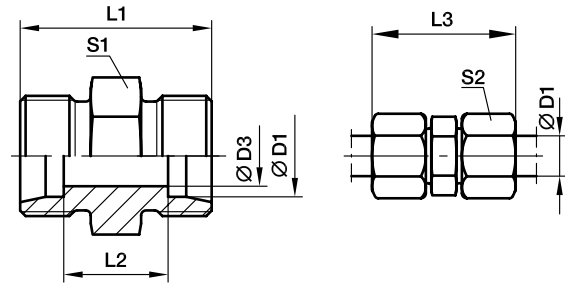


Progressive ring: DPR

Series	Ø D1	L3	Progressive ring DPR Order code		PN (bar)	Weight g/1 piece
			Stainless Steel	Stainless Steel SPH		
L	06	9.0	DPR06L71X	DPR06LSPH71X	315	1.7
	08	9.0	DPR08L71X	DPR08LSPH71X	315	2.2
	10	9.5	DPR10L71X	DPR10LSPH71X	315	3.1
	12	9.8	DPR12L71X	DPR12LSPH71X	315	3.5
	15	9.5	DPR15L71X	DPR15LSPH71X	315	4.5
	18	9.5	DPR18L71X	DPR18LSPH71X	315	5.5
	22	10.5	DPR22L71X	DPR22LSPH71X	160	7.3
	28	11.0	DPR28L71X	DPR28LSPH71X	160	9.4
	35	13.5	DPR35L71X	DPR35LSPH71X	160	20.0
	42	13.5	DPR42L71X	DPR42LSPH71X	160	23.0
S	06	9.0	DPR06L71X	DPR06LSPH71X	630	1.7
	08	9.0	DPR08L71X	DPR08LSPH71X	630	3.2
	10	9.5	DPR10L71X	DPR10LSPH71X	630	3.1
	12	9.8	DPR12L71X	DPR12LSPH71X	630	3.5
	14	9.5	DPR14S71X	DPR14SSPH71X	630	3.9
	16	9.5	DPR16S71X	DPR16SSPH71X	400	5.6
	20	12.5	DPR20S71X	DPR20SSPH71X	400	11.4
	25	12.5	DPR25S71X	DPR25SSPH71X	400	13.3
	30	12.5	DPR30S71X	DPR30SSPH71X	400	19.3
	38	13.0	DPR38S71X	DPR38SSPH71X	315	22.5

G - Union

EO 24° cone end

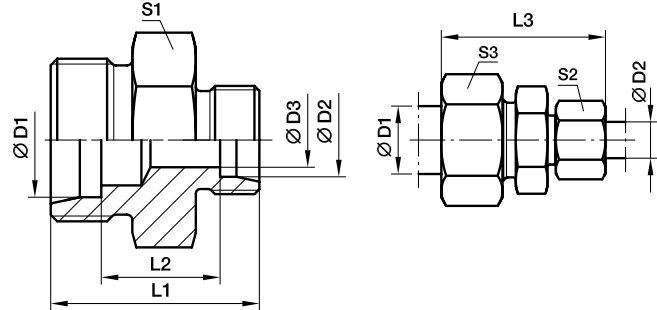


Series	Ø D1	D3	L1	L2	L3	S1	S2	Weight g/1 piece	Order code	PN (bar)		
										CF	71	MS
LL	04	3.0	20	12	31	9	10	5	G04LL	100	100	63
	06	4.5	20	9	32	11	12	7	G06LL	100	100	63
	08	6.0	23	12	35	12	14	10	G08LL	100	100	63
	10	8.0	23	12	35	14	17	13	G10LL	100	100	63
	12	10.0	23	11	35	17	19	16	G12LL	100	100	63
L	06	4.0	24	10	39	12	14	12	G06L	500	315	200
	08	6.0	25	11	40	14	17	16	G08L	500	315	200
	10	8.0	27	13	42	17	19	23	G10L	500	315	200
	12	10.0	28	14	43	19	22	28	G12L	400	315	200
	15	12.0	30	16	46	24	27	51	G15L	400	315	200
	18	15.0	31	16	48	27	32	69	G18L	400	315	200
	22	19.0	35	20	52	32	36	90	G22L	250	160	100
	28	24.0	36	21	54	41	41	137	G28L	250	160	100
	35	30.0	41	20	63	46	50	214	G35L	250	160	100
42	36.0	43	21	66	55	60	296	G42L	250	160	100	
S	06	4.0	30	16	45	14	17	26	G06S	800	630	400
	08	5.0	32	18	47	17	19	37	G08S	800	630	400
	10	7.0	32	17	49	19	22	44	G10S	800	630	400
	12	8.0	34	19	51	22	24	60	G12S	630	630	400
	14	10.0	38	22	57	24	27	77	G14S	630	630	400
	16	12.0	38	21	57	27	30	90	G16S	630	400	250
	20	16.0	44	23	66	32	36	143	G20S	420	400	250
	25	20.0	50	26	74	41	46	251	G25S	420	400	250
	30	25.0	54	27	80	46	50	330	G30S	420	400	250
	38	32.0	61	29	90	55	60	545	G38S	420	315	200

Order code suffixes			
	Stainless Steel	Brass	Body Only
Suffix	71	MS	X
Example	G16S71	G16SMS	G16SX

GR - Straight reducer

EO 24° cone end

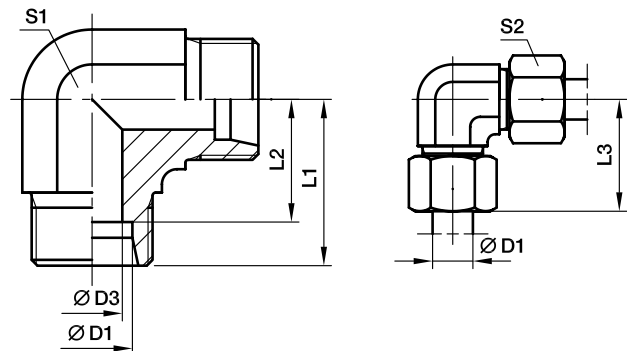


Series	Ø D1	Ø D2	D3	L1	L2	L3	S1	S2	S3	Weight g/1 piece	Order code	PN (bar)		
												CF	71	MS
LL	06	04	3.0	20	10.5	32	11	10	12	7	GR06/04LL	100	100	63
	08	04	3.0	22	12.5	34	12	10	14	9	GR08/04LL	100	100	63
	08	06	4.5	22	11.0	34	12	12	14	11	GR08/06LL	100	100	63
L	08	06	4.0	25	11.0	40	14	14	17	16	GR08/06L	500	315	200
	10	06	4.0	26	12.0	41	17	14	19	21	GR10/06L	500	315	200
	10	08	6.0	26	12.0	41	17	17	19	21	GR10/08L	500	315	200
	12	06	4.0	27	13.0	42	19	14	22	26	GR12/06L	400	315	200
	12	08	6.0	27	13.0	42	19	17	22	26	GR12/08L	400	315	200
	12	10	8.0	28	14.0	43	19	19	22	29	GR12/10L	400	315	200
	15	10	8.0	29	15.0	45	24	19	27	46	GR15/10L	400	315	200
	15	12	10.0	29	15.0	45	24	22	27	45	GR15/12L	400	315	200
	18	10	8.0	30	15.5	46	27	19	32	65	GR18/10L	400	315	200
	18	12	10.0	30	15.5	46	27	22	32	64	GR18/12L	400	315	200
	18	15	12.0	31	16.5	48	27	27	32	65	GR18/15L	400	315	200
	22	12	10.0	32	17.5	48	32	22	36	80	GR22/12L	250	160	100
	22	15	12.0	33	18.5	50	32	27	36	89	GR22/15L	250	160	100
	22	18	15.0	33	18.0	50	32	32	36	89	GR22/18L	250	160	100
	28	18	15.0	34	19.0	52	41	32	41	142	GR28/18L	250	160	100
	28	22	19.0	36	21.0	54	41	36	41	139	GR28/22L	250	160	100
	35	22	19.0	39	21.0	59	46	36	50	202	GR35/22L	250	160	100
	35	28	24.0	39	21.0	59	46	41	50	206	GR35/28L	250	160	100
42	35	30.0	43	21.5	66	55	50	60	330	GR42/35L	250	160	100	
S	08	06	4.0	32	18.0	47	17	17	19	35	GR08/06S	800	630	400
	10	06	4.0	32	17.5	48	19	17	22	41	GR10/06S	800	630	400
	10	08	5.0	32	17.5	48	19	19	22	42	GR10/08S	800	630	400
	12	06	4.0	34	19.5	50	22	17	24	56	GR12/06S	630	630	400
	12	08	5.0	34	19.5	50	22	19	24	57	GR12/08S	630	630	400
	12	10	7.0	34	19.0	51	22	22	24	59	GR12/10S	630	630	400
	14	10	7.0	36	20.5	54	24	22	27	70	GR14/10S	630	630	400
	14	12	8.0	36	20.5	54	24	24	27	72	GR14/12S	630	630	400
	16	10	7.0	36	20.0	54	27	22	30	80	GR16/10S	630	400	250
	16	12	8.0	36	20.0	54	27	24	30	87	GR16/12S	630	400	250
	16	14	10.0	36	21.5	57	27	27	30	79	GR16/14S	630	400	250
	20	10	7.0	40	22.0	60	32	22	36	129	GR20/10S	420	400	250
	20	12	8.0	40	22.0	60	32	24	36	131	GR20/12S	420	400	250
	20	16	12.0	42	23.0	63	32	30	36	134	GR20/16S	420	400	250
	25	16	12.0	46	25.5	68	41	30	46	236	GR25/16S	420	400	250
	25	20	16.0	48	25.5	71	41	36	46	235	GR25/20S	420	400	250
	30	20	16.0	50	26.0	74	46	36	50	299	GR30/20S	420	400	250
	30	25	20.0	52	26.5	77	46	46	50	317	GR30/25S	420	400	250
38	30	25.0	59	29.5	87	55	50	60	522	GR38/30S	420	315	200	

Order code suffixes			
	Stainless Steel	Brass	Body Only
Suffix	71	MS	X
Example	GR16/12S71	GR16/12SMS	GR16S/12SX

W - Union elbow

EO 24° cone end

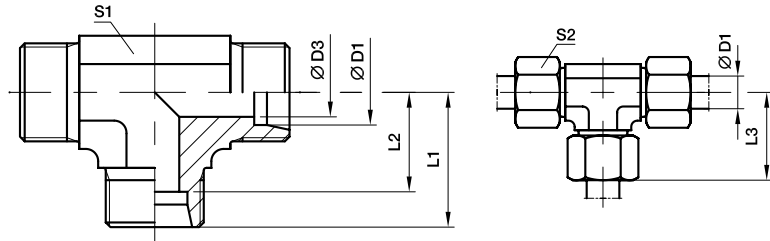


Series	Ø D1	D3	L1	L2	L3	S1	S2	Weight g/1 piece	Order code	PN (bar)		
										CF	71	MS
LL	04	3.0	15	11.0	21	9	10	13	W04LL	100	100	63
	06	4.5	15	9.5	21	9	12	15	W06LL	100	100	63
	08	6.0	17	11.5	23	12	14	23	W08LL	100	100	63
	10	8.0	18	12.5	24	12	17	32	W10LL	100	100	63
	12	10.0	19	13.0	25	14	19	41	W12LL	100	100	63
L	06	4.0	19	12.0	27	12	14	29	W06L	500	315	200
	08	6.0	21	14.0	29	12	17	43	W08L	500	315	200
	10	8.0	22	15.0	30	14	19	54	W10L	500	315	200
	12	10.0	24	17.0	32	19	22	80	W12L	400	315	200
	15	12.0	28	21.0	36	19	27	81	W15L	400	315	200
	18	15.0	31	23.5	40	24	32	140	W18L	400	315	200
	22	19.0	35	27.5	44	27	36	178	W22L	250	160	100
	28	24.0	38	30.5	47	36	41	340	W28L	250	160	100
	35	30.0	45	34.5	56	41	50	458	W35L	250	160	100
42	36.0	51	40.0	63	50	60	776	W42L	250	160	100	
S	06	4.0	23	16.0	31	12	17	52	W06S	800	630	400
	08	5.0	24	17.0	32	14	19	74	W08S	800	630	400
	10	7.0	25	17.5	34	19	22	97	W10S	800	630	400
	12	8.0	29	21.5	38	17	24	137	W12S	630	630	400
	14	10.0	30	22.0	40	19	27	145	W14S	630	630	400
	16	12.0	33	24.5	43	24	30	162	W16S	630	400	250
	20	16.0	37	26.5	48	27	36	221	W20S	420	400	250
	25	20.0	42	30.0	54	36	46	424	W25S	420	400	250
	30	25.0	49	35.5	62	41	50	603	W30S	420	400	250
	38	32.0	57	41.0	72	50	60	1010	W38S	420	315	200

Order code suffixes			
	Stainless Steel	Brass	Body Only
Suffix	71	MS	X
Example	W16S71	W16MS	W16SX

T - Union tee

EO 24° cone end



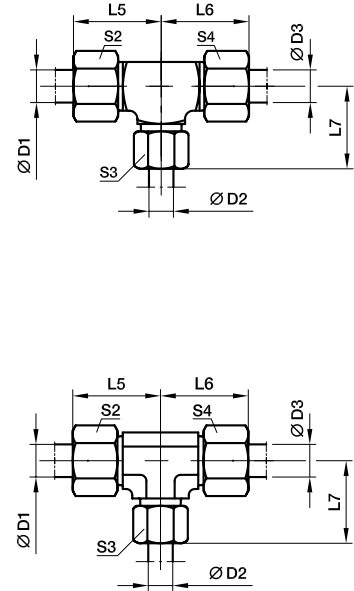
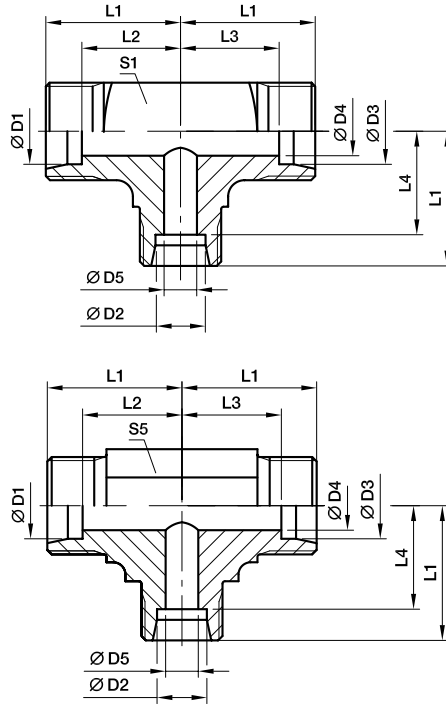
Series	Ø D1	D3	L1	L2	L3	S1	S2	Weight g/1 piece	Order code	PN (bar)		
										CF	71	MS
LL	04	3.0	15	11.0	21	9	10	19	T04LL	100	100	63
	06	4.5	15	9.5	21	9	12	20	T06LL	100	100	63
	08	6.0	17	11.5	23	12	14	27	T08LL	100	100	63
	10	8.0	18	12.5	24	12	17	39	T10LL	100	100	63
	12	10.0	21	15.0	27	14	19	45	T12LL	100	100	63
L	06	4.0	19	12.0	27	12	14	37	T06L	500	315	200
	08	6.0	21	14.0	29	12	17	53	T08L	500	315	200
	10	8.0	22	15.0	30	14	19	48	T10L	500	315	200
	12	10.0	24	17.0	32	17	22	65	T12L	400	315	200
	15	12.0	28	21.0	36	19	27	106	T15L	400	315	200
	18	15.0	31	23.5	40	24	32	179	T18L	400	315	200
	22	19.0	35	27.5	44	27	36	225	T22L	250	160	100
	28	24.0	38	30.5	47	36	41	396	T28L	250	160	100
	35	30.0	45	34.5	56	41	50	567	T35L	250	160	100
42	36.0	51	40.0	63	50	60	905	T42L	250	160	100	
S	06	4.0	23	16.0	31	12	17	68	T06S	800	630	400
	08	5.0	24	17.0	32	14	19	70	T08S	800	630	400
	10	7.0	25	17.5	34	17	22	91	T10S	800	630	400
	12	8.0	29	21.5	38	17	24	117	T12S	630	630	400
	14	10.0	30	22.0	40	19	27	136	T14S	630	630	400
	16	12.0	33	24.5	43	24	30	202	T16S	630	400	250
	20	16.0	37	26.5	48	27	36	289	T20S	420	400	250
	25	20.0	42	30.0	54	36	46	545	T25S	420	400	250
	30	25.0	49	35.5	62	41	50	758	T30S	420	400	250
38	32.0	57	41.0	72	50	60	1264	T38S	420	315	200	

Order code suffixes			
	Stainless Steel	Brass	Body Only
Suffix	71	MS	X
Example	T16S71	T16MS	T16SX

TR - Tee Reducer

EO 24° cone end

Profile body steel and brass (S1)
 Series LL 4-8 mm D1, D2, D3
 Series L 6+8 mm D1, D2, D3



Series	Ø D1	Ø D2	Ø D3	D4	D5	L1	L2	L3	L4	L5	L6	L7	S1	S2	S3	S4	S5	Weight g/1 piece	Order code	PN (bar)		
																				CF	71	MS
LL	04	08	04	3.0	6	17	13.0	13.0	11.5	23	23	23	12	10	14	10	12	27	TR04/08/04LL	100	100	63
	06	04	06	4.5	3	15	9.5	9.5	11.0	21	21	21	11	12	10	12	9	18	TR06/04/06LL	100	100	63
L	06	08	06	4.0	6	21	14.0	14.0	14.0	29	29	29	14	14	17	14	12	54	TR06/08/06L	500	315	200
	08	06	08	6.0	4	21	14.0	14.0	14.0	29	29	29	14	17	14	17	12	53	TR08/06/08L	500	315	200
	06	10	06	4.0	8	22	15.0	15.0	15.0	30	30	30		14	19	14	14	53	TR06/10/06L	500	315	200
	08	10	08	6.0	8	22	15.0	15.0	15.0	30	30	30		17	19	17	14	50	TR08/10/08L	500	315	200
	10	06	10	8.0	4	22	15.0	15.0	15.0	30	30	30		19	14	19	14	46	TR10/06/10L	500	315	200
	10	08	10	8.0	6	22	15.0	15.0	15.0	30	30	30		19	17	19	14	43	TR10/08/10L	500	315	200
	10	10	06	4.0	8	22	15.0	15.0	15.0	30	30	30		19	19	14	14	49	TR10/10/06L	500	315	200
	08	12	08	6.0	10	24	17.0	17.0	17.0	32	32	32		17	22	17	17	67	TR08/12/08L	400	315	200
	12	06	12	10.0	4	24	17.0	17.0	17.0	32	32	32		22	14	22	17	66	TR12/06/12L	400	315	200
	12	08	08	6.0	6	24	17.0	17.0	17.0	32	32	32		22	17	17	17	66	TR12/08/08L	400	315	200
	12	08	12	10.0	6	24	17.0	17.0	17.0	32	32	32		22	17	22	17	68	TR12/08/12L	400	315	200
	12	10	10	8.0	8	24	17.0	17.0	17.0	32	32	32		22	19	19	17	67	TR12/10/10L	400	315	200
	12	10	12	10.0	8	24	17.0	17.0	17.0	32	32	32		22	19	22	17	67	TR12/10/12L	400	315	200
	12	12	10	8.0	10	24	17.0	17.0	17.0	32	32	32		22	22	19	17	64	TR12/12/10L	400	315	200
	10	15	10	8.0	12	28	21.0	21.0	21.0	36	36	36		19	27	19	19	105	TR10/15/10L	400	315	200
	12	15	12	10.0	12	28	21.0	21.0	21.0	36	36	36		22	27	22	19	102	TR12/15/12L	400	315	200
	15	06	15	12.0	4	28	21.0	21.0	21.0	36	36	36		27	14	27	19	107	TR15/06/15L	400	315	200
	15	10	15	12.0	8	28	21.0	21.0	21.0	36	36	36		27	19	27	19	105	TR15/10/15L	400	315	200
	15	12	12	10.0	10	28	21.0	21.0	21.0	36	36	36		27	22	22	19	101	TR15/12/12L	400	315	200
	15	12	15	12.0	10	28	21.0	21.0	21.0	36	36	36		27	22	27	19	105	TR15/12/15L	400	315	200
15	15	12	10.0	12	28	21.0	21.0	21.0	36	36	36		27	27	22	19	103	TR15/15/12L	400	315	200	
12	18	12	10.0	15	31	24.0	24.0	23.5	39	39	40		22	32	22	24	177	TR12/18/12L	400	315	200	
18	10	10	8.0	8	31	23.5	24.0	24.0	40	39	39		32	19	19	24	173	TR18/10/10L	400	315	200	
18	10	18	15.0	8	31	23.5	23.5	24.0	40	40	39		32	19	32	24	182	TR18/10/18L	400	315	200	
18	12	18	15.0	10	31	23.5	23.5	24.0	40	40	39		32	22	32	24	174	TR18/12/18L	400	315	200	

continued on next page...

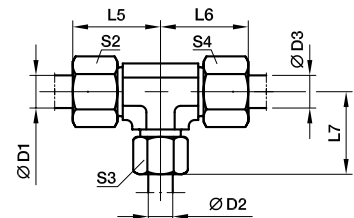
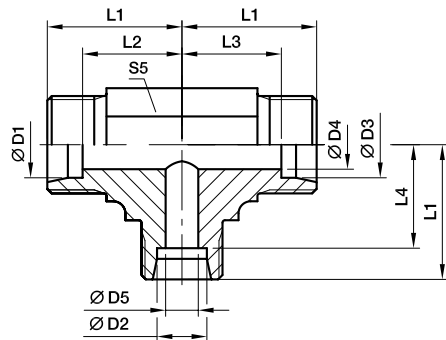
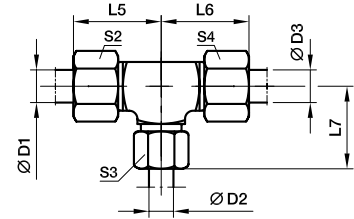
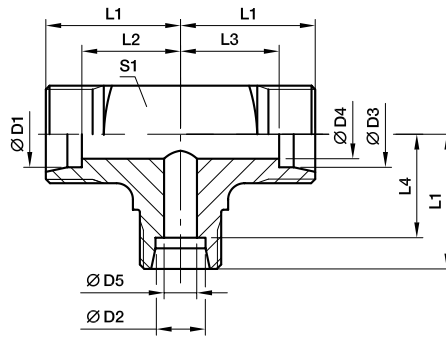
TR - Tee Reducer

EO 24° cone end

Profile body steel and brass (S1)

Series LL 4-8 mm D1, D2, D3

Series L 6+8 mm D1, D2, D3

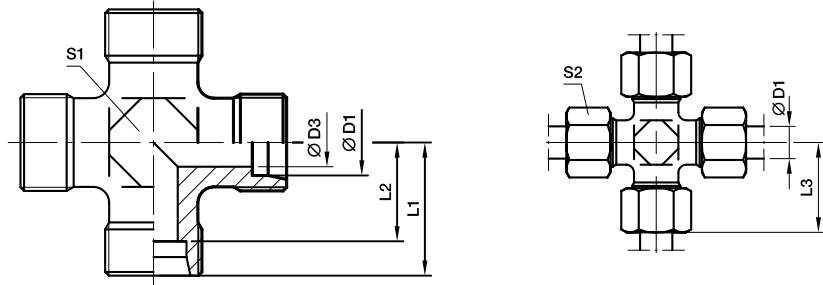


Series	Ø D1	Ø D2	Ø D3	D4	D5	L1	L2	L3	L4	L5	L6	L7	S1	S2	S3	S4	S5	Weight g/1 piece	Order code	PN (bar)		
																				CF	71	MS
L	18	15	18	15.0	12	31	23.5	23.5	24.0	40	40	39		32	27	32	24	179	TR18/15/18L	400	315	200
	18	18	10	8.0	15	31	23.5	24.0	23.5	40	39	40		32	32	19	24	171	TR18/18/10L	400	315	200
	22	10	22	19.0	8	35	27.5	27.5	28.0	44	44	43		36	19	36	27	232	TR22/10/22L	250	160	100
	22	12	22	19.0	10	35	27.5	27.5	28.0	44	44	43		36	22	36	27	229	TR22/12/22L	250	160	100
	22	15	15	12.0	12	35	27.5	28.0	28.0	44	43	43		36	27	27	27	240	TR22/15/15L	250	160	100
	22	15	22	19.0	12	35	27.5	27.5	28.0	44	44	43		36	27	36	27	233	TR22/15/22L	250	160	100
	22	18	18	15.0	15	35	27.5	27.5	27.5	44	44	44		36	32	32	27	236	TR22/18/18L	250	160	100
	22	18	22	19.0	15	35	27.5	27.5	27.5	44	44	44		36	32	36	27	239	TR22/18/22L	250	160	100
	22	22	18	15.0	19	35	27.5	27.5	27.5	44	44	44		36	36	32	27	228	TR22/22/18L	250	160	100
	28	10	28	24.0	8	38	30.5	30.5	31.0	47	47	46		41	19	41	36	412	TR28/10/28L	250	160	100
	28	12	28	24.0	10	38	30.5	30.5	31.0	47	47	46		41	22	41	36	408	TR28/12/28L	250	160	100
	28	15	28	24.0	12	38	30.5	30.5	31.0	47	47	46		41	27	41	36	423	TR28/15/28L	250	160	100
	28	18	28	24.0	15	38	30.5	30.5	30.5	47	47	47		41	32	41	36	421	TR28/18/28L	250	160	100
	28	22	22	19.0	19	38	30.5	30.5	30.5	47	47	47		41	36	36	36	412	TR28/22/22L	250	160	100
	28	22	28	24.0	19	38	30.5	30.5	30.5	47	47	47		41	36	41	36	415	TR28/22/28L	250	160	100
	S	10	06	10	7.0	4	25	17.5	17.5	18.0	34	34	33		22	17	22	17	103	TR10/06/10S	800	630
12		08	08	5.0	5	29	21.5	22.0	22.0	38	37	37		24	19	19	17	107	TR12/08/08S	630	630	400
12		08	12	8.0	5	29	21.5	21.5	22.0	38	38	37		24	19	24	17	105	TR12/08/12S	630	630	400
12		10	12	8.0	7	29	21.5	21.5	21.5	38	38	38		24	22	24	17	114	TR12/10/12S	630	630	400
12		16	12	8.0	12	33	25.5	25.5	24.5	42	42	43		24	30	24	24	190	TR12/16/12S	630	400	250
16		06	16	12.0	4	33	24.5	24.5	26.0	43	43	41		30	17	30	24	176	TR16/06/16S	630	400	250
16		08	16	12.0	5	33	24.5	24.5	26.0	43	43	41		30	19	30	24	208	TR16/08/16S	630	400	250
16		10	16	12.0	7	33	24.5	24.5	25.5	43	43	42		30	22	30	24	210	TR16/10/16S	630	400	250
16		12	16	12.0	8	33	24.5	24.5	25.5	43	43	42		30	24	30	24	386	TR16/12/16S	630	400	250
16		20	16	12.0	16	37	28.5	28.5	26.5	47	47	48		30	36	30	27	296	TR16/20/16S	420	400	250
20		10	20	16.0	7	37	26.5	26.5	29.5	48	48	46		36	22	36	27	553	TR20/10/20S	420	400	250
20		12	20	16.0	8	37	26.5	26.5	29.5	48	48	46		36	24	36	27	306	TR20/12/20S	420	400	250
20		16	20	16.0	12	37	26.5	26.5	28.5	48	48	47		36	30	36	27	285	TR20/16/20S	420	400	250
20		25	20	16.0	20	42	31.5	31.5	30.0	53	53	54		36	46	36	36	544	TR20/25/20S	420	400	250
25		16	25	20.0	12	42	30.0	30.0	33.5	54	54	52		46	30	46	36	556	TR25/16/25S	420	400	250
25		20	25	20.0	16	42	30.0	30.0	31.5	54	54	53		46	36	46	36	544	TR25/20/25S	420	400	250
25	30	25	20.0	25	49	37.0	37.0	35.5	61	61	62		46	50	46	41	791	TR25/30/25S	420	400	250	

Order code suffixes			
	Stainless Steel	Brass	Body Only
Suffix	71	MS	X
Example	TR16/12/16S71	TR16/12/16SMS	TR16/12/16SX

K - Union cross

EO 24° cone end

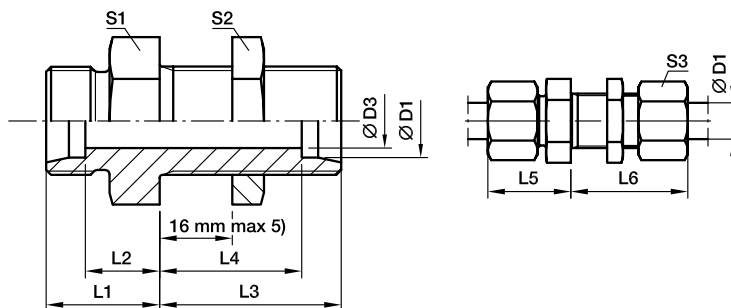


Series	Ø D1	D3	L1	L2	L3	S1	S2	Weight g/1 piece	Order code	PN (bar)		
										CF	71	MS
LL	04	3.0	15	11.0	21	9	10	13	K04LL	100	100	63
	06	4.5	15	9.5	21	9	12	14	K06LL	100	100	63
	08	6.0	17	11.5	23	12	14	24	K08LL	100	100	63
L	06	4.0	19	12.0	27	12	14	35	K06L	315	315	200
	08	6.0	21	14.0	29	12	17	40	K08L	315	315	200
	10	8.0	22	15.0	30	14	19	52	K10L	315	315	200
	12	10.0	24	17.0	32	17	22	69	K12L	315	315	200
	15	12.0	28	21.0	36	19	27	130	K15L	315	315	200
	18	15.0	31	23.5	40	24	32	188	K18L	315	315	200
	22	19.0	35	27.5	44	27	36	251	K22L	160	160	100
	28	24.0	38	30.5	47	36	41	392	K28L	160	160	100
	35	30.0	45	34.5	56	41	50	618	K35L	160	160	100
	42	36.0	51	40.0	63	50	60	905	K42L	160	160	100
S	06	4.0	23	16.0	31	12	17	58	K06S	630	630	400
	08	5.0	24	17.0	32	14	19	82	K08S	630	630	400
	10	7.0	25	17.5	34	17	22	97	K10S	630	630	400
	12	8.0	29	21.5	38	17	24	146	K12S	630	630	400
	14	10.0	30	22.0	40	19	27	176	K14S	400	400	250
	16	12.0	33	24.5	43	24	30	220	K16S	400	400	250
	20	16.0	37	26.5	48	27	36	339	K20S	315	315	200
	25	20.0	42	30.0	54	36	46	576	K25S	315	315	200
	30	25.0	49	35.5	62	41	50	843	K30S	315	315	200
	38	32.0	57	41.0	72	50	60	1350	K38S	315	315	200

Order code suffixes			
	Stainless Steel	Brass	Body Only
Suffix	71	MS	X
Example	K16S71	K16MS	K16SX

SV - Bulkhead union

EO 24° cone end



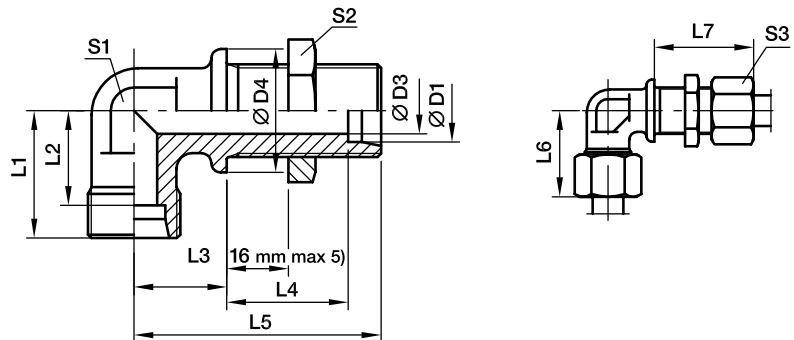
Series	Ø		L1	L2	L3	L4	L5	L6	S1	S2	S3	Weight g/1 piece	Order code	PN (bar)		
	D1	D3												CF	71	MS
L	06	4	14	7.0	34	27.0	22	42	17	17	14	39	SV06L	500	315	200
	08	6	15	8.0	34	27.0	23	42	19	19	17	50	SV08L	500	315	200
	10	8	17	10.0	35	28.0	25	43	22	22	19	67	SV10L	500	315	200
	12	10	17	10.0	36	29.0	25	44	24	24	22	78	SV12L	400	315	200
	15	12	19	12.0	38	31.0	27	46	27	30	27	128	SV15L	400	315	200
	18	15	21	13.5	40	32.5	30	49	32	36	32	198	SV18L	400	315	200
	22	19	24	16.5	42	34.5	33	51	36	41	36	254	SV22L	250	160	100
	28	24	26	18.5	43	35.5	35	52	41	46	41	335	SV28L	250	160	100
	35	30	29	18.5	47	36.5	40	58	50	55	50	546	SV35L	250	160	160
	42	36	30	19.0	47	36.0	42	59	60	65	60	758	SV42L	250	160	160
S	06	4	19	12.0	36	29.0	27	44	19	19	17	65	SV06S	800	630	400
	08	5	20	13.0	36	29.0	28	44	22	22	19	87	SV08S	800	630	400
	10	7	22	14.5	37	29.5	31	46	24	24	22	112	SV10S	800	630	400
	12	8	22	14.5	38	30.5	31	47	27	27	24	141	SV12S	630	630	400
	14	10	25	17.0	40	32.0	35	50	30	30	27	180	SV14S	630	630	
	16	12	25	16.5	40	31.5	35	50	32	32	30	201	SV16S	630	400	250
	20	16	28	17.5	44	33.5	39	55	41	41	36	462	SV20S	420	400	250
	25	20	32	20.0	47	35.0	44	59	46	46	46	492	SV25S	420	400	250
	30	25	35	21.5	51	37.5	48	64	50	50	50	631	SV30S	420	400	250
	38	32	38	22.0	53	37.0	53	68	65	65	60	1083	SV38S	420	315	

5) Bulkhead thickness min.
06-18 L and 06-16 S = 3 mm
22-42 L and 20-38 S = 4 mm

Order code suffixes			
	Stainless Steel	Brass	Body Only
Suffix	71	MS	X
Example	SV16S71	SV16MS	SV16S0MD

WSV - Bulkhead elbow

EO 24° cone end



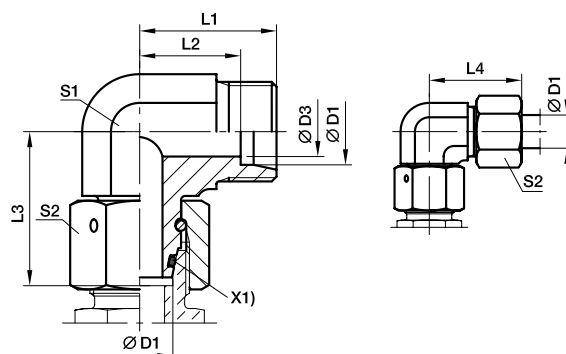
Series	Ø D1	D3	D4	L1	L2	L3	L4	L5	L6	L7	S1	S2	S3	Weight g/1 piece	Order code	PN (bar)		
																CF	71	MS
L	06	4	17	19	12.0	14	27.0	48	27	42	12	17	14	51	WSV06L	315	315	200
	08	6	19	21	14.0	17	27.0	51	29	42	12	19	17	61	WSV08L	315	315	200
	10	8	22	22	15.0	18	28.0	53	30	43	14	22	19	78	WSV10L	315	315	200
	12	10	24	24	17.0	20	29.0	56	32	44	17	24	22	85	WSV12L	315	315	200
	15	12	27	28	21.0	23	31.0	61	36	46	19	30	27	150	WSV15L	315	315	200
	18	15	32	31	23.5	24	32.5	64	40	49	24	36	32	238	WSV18L	315	315	200
	22	19	36	35	27.5	30	34.5	72	44	51	27	41	36	327	WSV22L	160	160	
	28	24	42	38	30.5	34	35.5	77	47	52	36	46	41	482	WSV28L	160	160	
	35	30	50	45	34.5	39	36.5	86	56	58	41	55	50	729	WSV35L	160	160	
	42	36	60	51	40.0	43	36.0	90	63	59	50	65	60	1091	WSV42L	160	160	
S	06	4	19	23	16.0	17	29.0	53	31	44	12	19	17	72	WSV06S	630	630	
	08	5	22	24	17.0	18	29.0	54	32	44	14	22	19	99	WSV08S	630	630	
	10	7	24	25	17.5	20	29.5	57	34	46	17	24	22	128	WSV10S	630	630	
	12	8	27	29	21.5	21	30.5	59	38	47	17	27	24	168	WSV12S	630	630	
	14	10	27	30	22.0	23	32.0	63	40	50	19	30	27	194	WSV14S	630	630	
	16	12	30	33	24.5	24	31.5	64	43	50	24	32	30	249	WSV16S	400	400	
	20	16	36	37	26.5	30	33.5	74	48	55	27	41	36	390	WSV20S	400	400	
	25	20	42	42	30.0	34	35.0	81	54	59	36	46	46	618	WSV25S	400	400	
	30	25	50	49	35.5	39	37.5	90	62	64	41	50	50	889	WSV30S	400	400	
	38	32	60	57	41.0	43	37.0	96	72	68	50	65	60	1337	WSV38S	315	315	

5) Bulkhead thickness min.
 06-18 L and 06-16 S = 3 mm
 22-42 L and 20-38 S = 4 mm

Order code suffixes			
	Stainless Steel	Brass	Body Only
Suffix	71	MS	X
Example	WSV12L71	WSV12LMS	WSV12LOMD

EW - Swivel nut elbow

EO 24° cone end / EO 24° DKO swivel



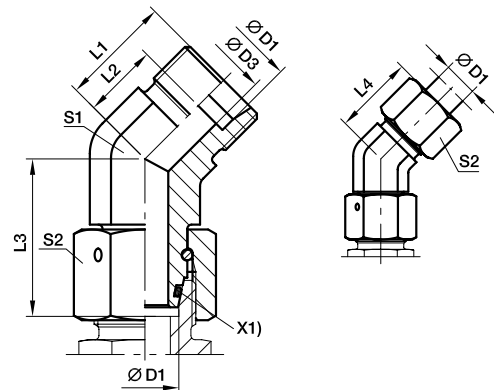
X1) O-ring OR

Series	Ø D1	D3	L1	L2	L3	L4	S1	S2	Weight g/1 piece	Order code	PN (bar)	
											CF	71
L	06	4	19	12.0	26.0	27	12	14	34	EW06L	500	315
	08	6	21	14.0	27.5	29	12	17	43	EW08L	500	315
	10	8	22	15.0	29.0	30	14	19	58	EW10L	500	315
	12	10	24	17.0	29.5	32	17	22	81	EW12L	400	315
	15	12	28	21.0	32.5	36	19	27	128	EW15L	400	315
	18	15	31	23.5	35.5	40	24	32	197	EW18L	400	315
	22	19	35	27.5	38.5	44	27	36	258	EW22L	250	160
	28	24	38	30.5	41.5	47	36	41	370	EW28L	250	160
	35	30	45	34.5	51.0	56	41	50	593	EW35L	250	160
42	36	51	40.0	56.0	63	50	60	993	EW42L	250	160	
S	06	4	23	16.0	27.0	31	12	17	48	EW06S	800	630
	08	5	24	17.0	27.5	32	14	19	65	EW08S	800	630
	10	6	25	17.5	30.0	34	17	22	92	EW10S	800	630
	12	8	29	21.5	31.0	38	17	24	107	EW12S	630	630
	14	9	30	22.0	35.0	40	19	27	146	EW14S	630	630
	16	12	33	24.5	36.5	43	24	30	212	EW16S	630	400
	20	16	37	26.5	44.5	48	27	36	309	EW20S	420	400
	25	20	42	30.0	50.0	54	36	46	547	EW25S	420	400
	30	25	49	35.5	55.0	62	41	50	744	EW30S	420	400
38	32	57	41.0	63.0	72	50	60	1222	EW38S	420	315	

Order code suffixes			
	Stainless Steel		Body Only
Suffix	71		OMD
Example	EW16S71		EW16SOMD

EV - Swivel nut 45° elbow

EO 24° cone end / EO 24° DKO swivel



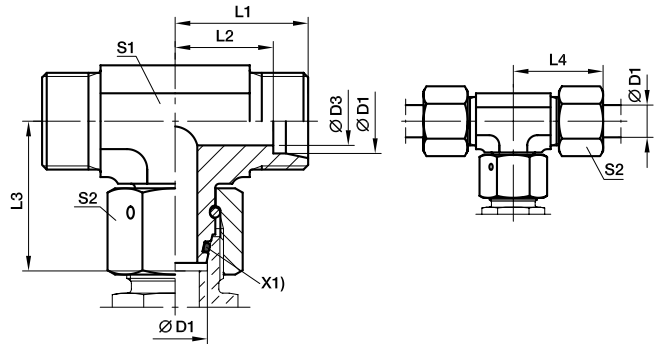
X1) O-ring OR

Series	Ø D1	D3	L1	L2	L3	L4	S1	S2	Weight g/1 piece	Order code	PN (bar)	
											CF	71
L	06	4	16.0	9.0	26.0	24	14	14	37	EV06L	315	315
	08	6	19.0	12.0	27.5	27	14	17	49	EV08L	315	315
	10	8	19.0	12.0	29.0	27	19	19	77	EV10L	315	315
	12	10	21.0	14.0	29.5	29	19	22	86	EV12L	315	315
	15	12	24.0	17.0	32.5	32	22	27	144	EV15L	315	315
	18	15	24.0	16.5	35.5	33	27	32	210	EV18L	315	315
	22	19	26.0	18.5	38.5	35	30	36	270	EV22L	160	160
	28	24	30.5	23.0	41.5	40	36	41	385	EV28L	160	160
	35	30	37.0	26.5	51.0	48	50	50	805	EV35L	160	160
	42	36	37.0	26.0	56.0	49	50	60	887	EV42L	160	160
S	06	4	16.0	9.0	27.0	24	14	17	50	EV06S	630	630
	08	5	19.0	12.0	27.5	27	19	19	80	EV08S	630	630
	10	7	21.0	13.5	30.0	30	19	22	95	EV10S	630	630
	12	8	24.0	16.5	31.0	33	22	24	137	EV12S	630	630
	16	12	24.0	15.5	36.5	34	27	30	217	EV16S	400	400
	20	16	26.5	16.0	44.5	38	30	36	313	EV20S	400	400
	25	20	30.5	18.5	50.0	43	36	46	529	EV25S	400	400
	30	25	37.0	23.5	55.0	50	50	50	940	EV30S	400	400
	38	32	37.0	21.0	63.0	52	50	60	1055	EV38S	315	315

Order code suffixes		
	Stainless Steel	Body Only
Suffix	71	OMD
Example	EV16S71	EV16S0MD

ET - Swivel nut branch tee

EO 24° cone end / EO 24° DKO swivel



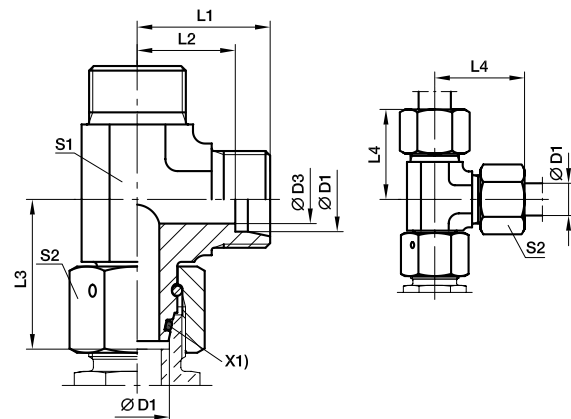
X1) O-ring OR

Series	Ø D1	D3	L1	L2	L3	L4	S1	S2	Weight g/1 piece	Order code	PN (bar)	
											CF	71
L	06	4	19	12.0	26.0	27	12	14	42	ET06L	500	315
	08	6	21	14.0	27.5	29	12	17	53	ET08L	500	315
	10	8	22	15.0	29.0	30	14	19	71	ET10L	500	315
	12	10	24	17.0	29.5	32	17	22	97	ET12L	400	315
	15	12	28	21.0	32.5	36	19	27	159	ET15L	400	315
	18	15	31	23.5	35.5	40	24	32	239	ET18L	400	315
	22	19	35	27.5	38.5	44	27	36	308	ET22L	250	160
	28	24	38	30.5	41.5	47	36	41	449	ET28L	250	160
	35	30	45	34.5	51.0	56	41	50	679	ET35L	250	160
42	36	51	40.0	56.0	63	50	60	1131	ET42L	250	160	
S	06	4	23	16.0	27.0	31	12	17	63	ET06S	800	630
	08	5	24	17.0	27.5	32	14	19	79	ET08S	800	630
	10	6	25	17.5	30.0	34	17	22	113	ET10S	800	630
	12	8	29	21.5	31.0	38	17	24	136	ET12S	630	630
	14	9	30	22.0	35.0	40	19	27	173	ET14S	630	630
	16	12	33	24.5	36.5	43	24	30	239	ET16S	630	400
	20	16	37	26.5	44.5	48	27	36	388	ET20S	420	400
	25	20	42	30.0	50.0	54	36	46	652	ET25S	420	400
	30	25	49	35.5	55.0	62	41	50	905	ET30S	420	400
38	32	57	41.0	63.0	72	50	60	1462	ET38S	420	315	

Order code suffixes			
	Stainless Steel		Body Only
Suffix	71		OMD
Example	ET16S71		ET16S0MD

EL - Swivel nut run tee

EO 24° cone end / EO 24° DKO swivel



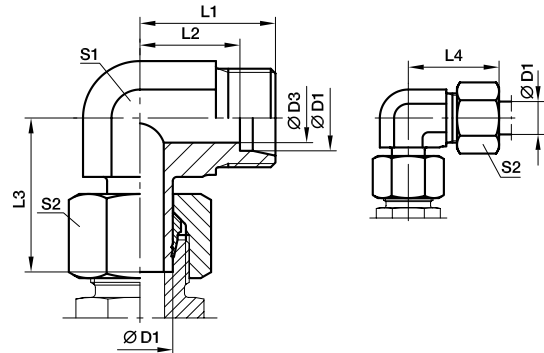
X1) O-ring OR

Series	Ø D1	D3	L1	L2	L3	L4	S1	S2	Weight g/1 piece	Order code	PN (bar)	
											CF	71
L	06	4	19	12.0	26.0	27	12	14	44	EL06L	500	315
	08	6	21	14.0	27.5	29	12	17	53	EL08L	500	315
	10	8	22	15.0	29.0	30	14	19	68	EL10L	500	315
	12	10	24	17.0	29.5	32	17	22	95	EL12L	400	315
	15	12	28	21.0	32.5	36	19	27	151	EL15L	400	315
	18	15	31	23.5	35.5	40	24	32	233	EL18L	400	315
	22	19	35	27.5	38.5	44	27	36	309	EL22L	250	160
	28	24	38	30.5	41.5	47	36	41	436	EL28L	250	160
	35	30	45	34.5	51.0	56	41	50	666	EL35L	250	160
	42	36	51	40.0	56.0	63	50	60	1163	EL42L	250	160
S	06	4	23	16.0	27.0	31	12	17	65	EL06S	800	630
	08	5	24	17.0	27.5	32	14	19	84	EL08S	800	630
	10	6	25	17.5	30.0	34	17	22	118	EL10S	800	630
	12	8	29	21.5	31.0	38	17	24	136	EL12S	630	630
	14	9	30	22.0	35.0	40	19	27	173	EL14S	630	630
	16	12	33	24.5	36.5	43	24	30	260	EL16S	630	400
	20	16	37	26.5	44.5	48	27	36	375	EL20S	420	400
	25	20	42	30.0	50.0	54	36	46	655	EL25S	420	400
	30	25	49	35.5	55.0	62	41	50	906	EL30S	420	400
	38	32	57	41.0	63.0	72	50	60	1472	EL38S	420	315

Order code suffixes			
	Stainless Steel		Body Only
Suffix	71		OMD
Example	EL16S71		EL16S0MD

EVW - Standpipe elbow

EO 24° cone end / EO stand pipe adjustable



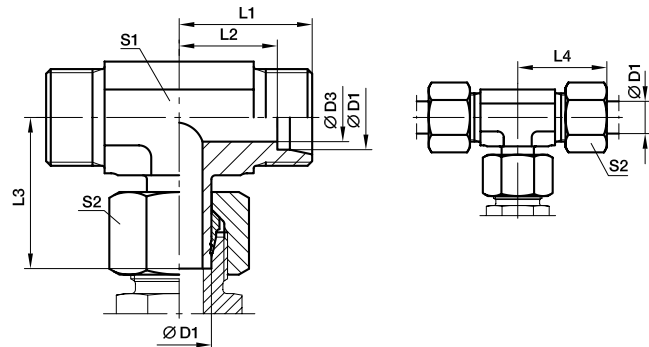
With pre-assembled nut and progressive ring for connection.
Final assembly (in appropriate body) at least 1/4 turn beyond the point of clearly perceptible resistance.

Series	Ø D1	D3	L1	L2	L3	L4	S1	S2	Weight g/1 piece	Order code	PN (bar)		
											CF	71	MS
L	06	4	19	12.0	26.0	27	12	14	32	EVW06L	315	315	200
	08	6	21	14.0	27.5	29	12	17	40	EVW08L	315	315	200
	10	8	22	15.0	29.0	30	14	19	54	EVW10L	315	315	200
	12	10	24	17.0	29.5	32	17	22	76	EVW12L	315	315	200
	15	12	28	21.0	32.5	36	19	27	119	EVW15L	315	315	200
	18	15	31	23.5	35.5	40	24	32	192	EVW18L	315	315	200
	22	19	35	27.5	38.5	44	27	36	355	EVW22L	160	160	100
	28	24	38	30.5	42.0	47	36	41	514	EVW28L	160	160	100
	35	30	45	34.5	51.0	56	41	50	536	EVW35L	160	160	100
42	36	51	40.0	60.0	63	50	60	977	EVW42L	160	160	100	
S	06	4	23	16.0	27.0	31	12	17	44	EVW06S	630	630	400
	08	5	24	17.0	27.5	32	14	19	63	EVW08S	630	630	400
	10	7	25	17.5	31.0	34	17	22	95	EVW10S	630	630	400
	12	8	29	21.5	31.0	38	17	24	110	EVW12S	630	630	400
	14	10	30	22.0	35.0	40	19	27	137	EVW14S	400	400	250
	16	12	33	24.5	37.5	43	24	30	211	EVW16S	400	400	250
	20	16	37	26.5	44.5	48	27	36	306	EVW20S	400	400	250
	25	20	42	30.0	50.0	54	36	46	558	EVW25S	400	400	250
	30	25	49	35.5	55.0	62	41	50	724	EVW30S	400	400	250
38	32	57	41.0	66.5	72	50	60	1307	EVW38S	315	315	200	

Order code suffixes			
	Stainless Steel	Brass	Body Only
Suffix	71	MS	OMD
Example	EVW16S71	EVW16SMS	EVW16SOMD

EVT - Standpipe branch tee

EO 24° cone end / EO stand pipe adjustable



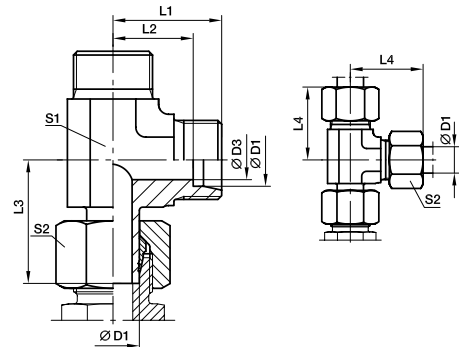
With pre-assembled nut and progressive ring for connection.
Final assembly (in appropriate body) at least 1/4 turn beyond the point of clearly perceptible resistance.

Series	Ø D1	D3	L1	L2	L3	L4	S1	S2	Weight g/1 piece	Order code	PN (bar)		
											CF	71	MS
L	06	4	19	12.0	26.0	27	12	14	37	EVT06L	315	315	200
	08	6	21	14.0	27.5	29	12	17	49	EVT08L	315	315	200
	10	8	22	15.0	29.0	30	14	19	66	EVT10L	315	315	200
	12	10	24	17.0	30.5	32	17	22	93	EVT12L	315	315	200
	15	12	28	21.0	32.5	36	19	27	146	EVT15L	315	315	200
	18	15	31	23.5	35.5	40	24	32	201	EVT18L	315	315	200
	22	19	35	27.5	38.5	44	27	36	274	EVT22L	160	160	
	28	24	38	30.5	43.5	47	36	41	441	EVT28L	160	160	
	35	30	45	34.5	54.5	56	41	50	633	EVT35L	160	160	
	42	36	51	40.0	60.0	63	50	60	1129	EVT42L	160	160	
S	06	4	23	16.0	27.0	31	12	17	61	EVT06S	630	630	
	08	5	24	17.0	29.0	32	14	19	44	EVT08S	630	630	
	10	7	25	17.5	31.0	34	17	22	84	EVT10S	630	630	
	12	8	29	21.5	33.0	38	17	24	131	EVT12S	630	630	
	14	10	30	22.0	35.0	40	19	27	173	EVT14S	400	400	
	16	12	33	24.5	37.5	43	24	30	240	EVT16S	400	400	
	20	16	37	26.5	44.5	48	27	36	345	EVT20S	400	400	
	25	20	42	30.0	50.5	54	36	46	647	EVT25S	400	400	
	30	25	49	35.5	56.5	62	41	50	873	EVT30S	400	400	
		38	32	57	41.0	66.5	72	50	60	1361	EVT38S	315	315

Order code suffixes			
	Stainless Steel	Brass	Body Only
Suffix	71	MS	OMD
Example	EVT15L71	EVT15LMS	EVT15LOMD

EVL - Standpipe run tee

EO 24° cone end / EO stand pipe adjustable



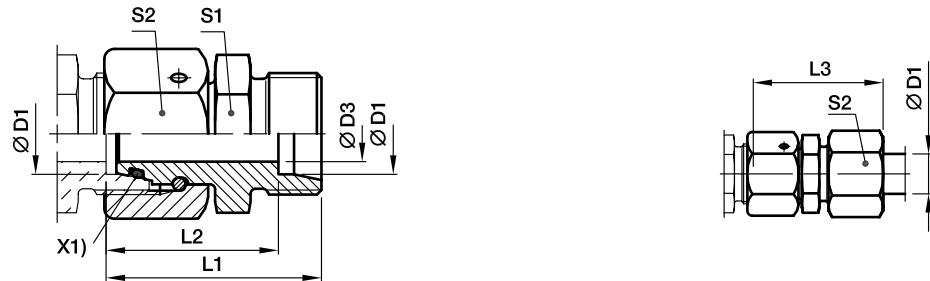
With pre-assembled nut and progressive ring for connection.
Final assembly (in appropriate body) at least 1/4 turn beyond the point of clearly perceptible resistance.

Series	Ø D1	D3	L1	L2	L3	L4	S1	S2	Weight g/1 piece	Order code	PN (bar) ¹⁾		
											CF	71	MS
L	06	4	19	12.0	26.0	27	12	14	40	EVL06L	315	315	200
	08	6	21	14.0	27.5	29	12	17	50	EVL08L	315	315	200
	10	8	22	15.0	29.0	30	14	19	64	EVL10L	315	315	200
	12	10	24	17.0	30.5	32	17	22	93	EVL12L	315	315	200
	15	12	28	21.0	32.5	36	19	27	147	EVL15L	315	315	200
	18	15	31	23.5	35.5	40	24	32	229	EVL18L	315	315	200
	22	19	35	27.5	39.0	44	27	36	296	EVL22L	160	160	
	28	24	38	30.5	43.5	47	36	41	416	EVL28L	160	160	
	35	30	45	34.5	54.5	56	41	50	661	EVL35L	160	160	
42	36	51	40.0	60.0	63	50	60	1105	EVL42L	160	160		
S	06	4	23	16.0	27.0	31	12	17	57	EVL06S	630	630	
	08	5	24	17.0	29.0	32	14	19	84	EVL08S	630	630	
	10	7	25	17.5	32.0	34	17	22	116	EVL10S	630	630	
	12	8	29	21.5	33.0	38	17	24	137	EVL12S	630	630	
	14	10	30	22.0	35.0	40	19	27	175	EVL14S	400	400	
	16	12	33	24.5	37.5	43	24	30	259	EVL16S	400	400	
	20	16	37	26.5	44.5	48	27	36	371	EVL20S	400	400	
	25	20	42	30.0	50.5	54	36	46	647	EVL25S	400	400	
	30	25	49	35.5	56.5	62	41	50	906	EVL30S	400	400	
38	32	57	41.0	66.5	72	50	60	1549	EVL38S	315	315		

Order code suffixes			
	Stainless Steel	Brass	Body Only
Suffix	71	MS	OMD
Example	EVL15L71	EVL15LMS	EVL15LOMD

DA - Distance piece adapter

EO 24° DKO swivel / EO 24° cone end



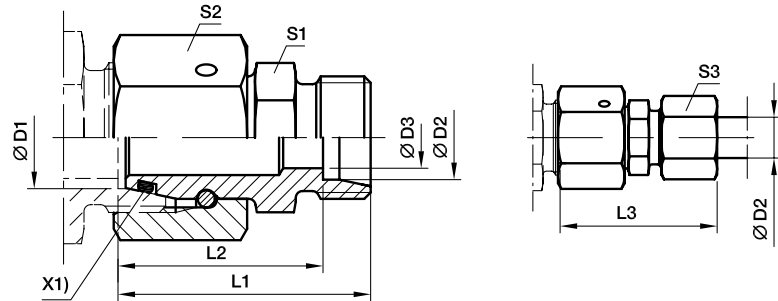
X1) O-ring OR

Series	Ø D1	D3	L1	L2	L3	S1	S2	Weight g/1 piece	Order code	PN (bar)		
										CF	71	MS
L	06	2,5	43.0	36	51	12	14	33	DA06L	500	315	200
	08	4.0	43.0	36	51	14	17	46	DA08L	500	315	200
	10	6.0	43.0	36	51	17	19	60	DA10L	500	315	200
	12	8.0	43.0	36	51	19	22	75	DA12L	400	315	200
	15	10.0	43.0	36	51	24	27	118	DA15L	400	315	200
	18	13.0	43.5	36	52	27	32	153	DA18L	400	315	200
	22	17.0	47.5	40	56	32	36	210	DA22L	250	160	100
	28	22.0	47.5	40	57	41	41	279	DA28L	250	160	100
	35	28.0	60.5	50	72	46	50	468	DA35L	250	160	100
42	34.0	71.0	60	83	55	60	802	DA42L	250	160	100	
S	06	2.5	43.0	36	51	14	17	48	DA06S	800	630	400
	08	4.0	43.0	36	51	17	19	64	DA08S	800	630	400
	10	6.0	43.5	36	52	19	22	81	DA10S	800	630	400
	12	8.0	43.5	36	52	22	24	97	DA12S	630	630	400
	14	9.0	48.0	40	58	24	27	133	DA14S	630	630	400
	16	11.0	48.5	40	58	27	30	166	DA16S	630	400	250
	20	14.0	56.5	46	68	32	36	265	DA20S	420	400	250
	25	18.0	62.0	50	74	41	46	466	DA25S	420	400	250
	30	23.0	69.5	56	83	46	50	601	DA30S	420	400	250
38	30.0	76.0	60	91	55	60	871	DA38S	420	315	200	

Order code suffixes			
	Stainless Steel	Brass	Body Only
Suffix	71	MS	OMD
Example	DA16S71	DA16SMS	DA16SOMD

RED - Tube end reducer

EO 24° DKO swivel / EO 24° cone end



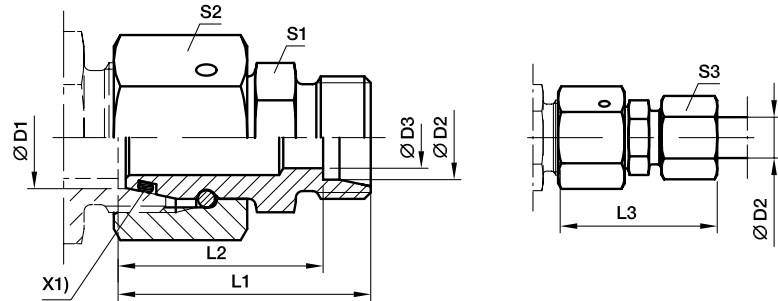
X1) O-ring OR

Series	Ø D1	Ø D2	D3	L1	L2	L3	S1	S2	S3	Weight g/1 piece	Order code	PN (bar)	
												CF	71
L/LL	06	04	2.5	28.5	24.5	34.0	9	14	10	17	RED06L/04LL	100	100
L	08	06	4.0	30.5	23.5	38.0	12	17	14	29	RED08/06L	500	315
L	10	06	4.0	32.0	25.0	40.0	14	19	14	36	RED10/06L	500	315
L	10	08	6.0	32.0	25.0	40.0	14	19	17	38	RED10/08L	500	315
L	12	06	4.0	32.0	25.0	40.0	17	22	14	49	RED12/06L	400	315
L	12	08	6.0	32.0	25.0	40.0	17	22	17	49	RED12/08L	400	315
L	12	10	8.0	33.0	26.0	41.0	17	22	19	51	RED12/10L	400	315
L	15	06	4.0	35.5	28.5	43.0	19	27	14	81	RED15/06L	400	315
L	15	08	6.0	35.5	28.5	43.0	19	27	17	85	RED15/08L	400	315
L	15	10	8.0	36.5	29.5	44.0	19	27	19	83	RED15/10L	400	315
L	15	12	10.0	36.5	29.5	44.0	19	27	22	83	RED15/12L	400	315
L	18	06	4.0	35.0	28.0	43.0	24	32	14	109	RED18/06L	400	315
L	18	08	6.0	35.0	28.0	43.0	24	32	17	111	RED18/08L	400	315
L	18	10	8.0	36.0	29.0	44.0	24	32	19	110	RED18/10L	400	315
L	18	12	10.0	36.0	29.0	44.0	24	32	22	110	RED18/12L	400	315
L	18	15	12.0	37.0	30.0	45.0	24	32	27	115	RED18/15L	400	315
L/S	18	16	12.0	40.0	31.5	49.5	27	32	30	138	RED18L/16S	400	315
L	22	06	4.0	39.0	32.0	47.0	27	36	14	158	RED22/06L	250	160
L	22	08	6.0	39.0	32.0	47.0	27	36	17	158	RED22/08L	250	160
L	22	10	8.0	40.0	33.0	48.0	27	36	19	159	RED22/10L	250	160
L	22	12	10.0	40.0	33.0	48.0	27	36	22	157	RED22/12L	250	160
L	22	15	12.0	41.0	34.0	49.0	27	36	27	164	RED22/15L	250	160
L/S	22	16	12.0	43.0	34.5	52.5	27	36	30	173	RED22L/16S	250	160
L	22	18	15.0	41.0	33.5	50.0	27	36	32	167	RED22/18L	250	160
L/S	22	20	16.0	45.0	34.5	56.0	32	36	36	203	RED22L/20S	250	160
L	28	06	4.0	41.0	34.0	49.0	32	41	14	219	RED28/06L	250	160
L	28	08	6.0	41.0	34.0	49.0	32	41	17	221	RED28/08L	250	160
L	28	10	8.0	42.0	35.0	50.0	32	41	19	213	RED28/10L	250	160
L	28	12	10.0	42.0	35.0	50.0	32	41	22	213	RED28/12L	250	160
L	28	15	12.0	43.0	36.0	51.0	32	41	27	218	RED28/15L	250	160
L/S	28	16	12.0	45.0	36.5	54.5	32	41	30	227	RED28L/16S	250	160
L	28	18	15.0	43.0	35.5	52.0	32	41	32	220	RED28/18L	250	160
L	28	22	19.0	45.0	37.5	54.0	32	41	36	222	RED28/22L	250	160
L/S	28	25	20.0	50.0	38.0	62.0	41	41	46	300	RED28L/25S	250	160
L	35	06	4.0	44.0	37.0	52.0	41	50	14	318	RED35/06L	250	160
L	35	08	6.0	44.0	37.0	52.0	41	50	17	318	RED35/08L	250	160
L	35	10	8.0	45.0	38.0	53.0	41	50	19	318	RED35/10L	250	160
L	35	12	10.0	45.0	38.0	53.0	41	50	22	324	RED35/12L	250	160
L	35	15	12.0	46.0	39.0	54.0	41	50	27	328	RED35/15L	250	160
L	35	18	15.0	46.0	38.5	55.0	41	50	32	328	RED35/18L	250	160
L	35	22	19.0	48.0	40.5	57.0	41	50	36	331	RED35/22L	250	160
L/S	35	25	20.0	52.0	40.0	64.0	41	50	46	366	RED35L/25S	250	160

continued on next page...

RED - Tube end reducer

EO 24° DKO swivel / EO 24° cone end



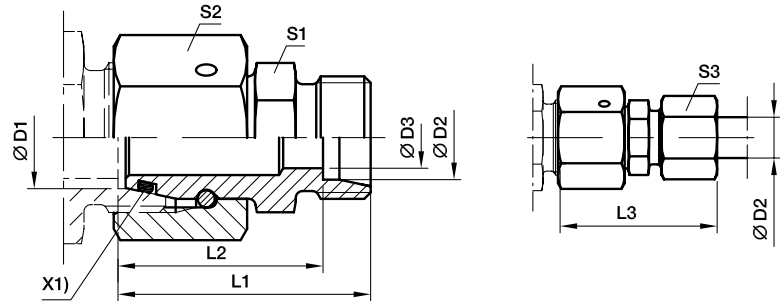
X1) O-ring OR

Series	Ø D1	Ø D2	D3	L1	L2	L3	S1	S2	S3	Weight g/1 piece	Order code	PN (bar)	
												CF	71
L	35	28	24.0	48.0	40.5	57.0	41	50	41	327	RED35/28L	250	160
L/S	35	30	25.0	55.0	41.5	68.0	46	50	50	435	RED35L/30S	250	160
L	42	10	8.0	48.5	41.5	56.0	50	60	19	537	RED42/10L	250	160
L	42	12	10.0	48.5	41.5	56.0	50	60	22	538	RED42/12L	250	160
L	42	15	12.0	49.5	42.5	58.0	50	60	27	534	RED42/15L	250	160
L	42	18	15.0	49.5	42.0	58.0	50	60	32	544	RED42/18L	250	160
L	42	22	19.0	51.5	44.0	60.0	50	60	36	543	RED42/22L	250	160
L	42	28	24.0	51.5	44.0	61.0	50	60	41	539	RED42/28L	250	160
L/S	42	30	25.0	57.5	44.0	70.5	50	60	50	588	RED42L/30S	250	160
L	42	35	30.0	53.5	43.0	65.0	50	60	50	541	RED42/35L	250	160
L/S	42	38	32.0	61.5	45.5	76.0	55	60	60	701	RED42L/38S	250	160

Order code suffixes			
	Stainless Steel		Body Only
Suffix	71		OMD
Example	RED15/12L71		RED15/12LOMD

RED - Tube end reducer

EO 24° DKO swivel / EO 24° cone end



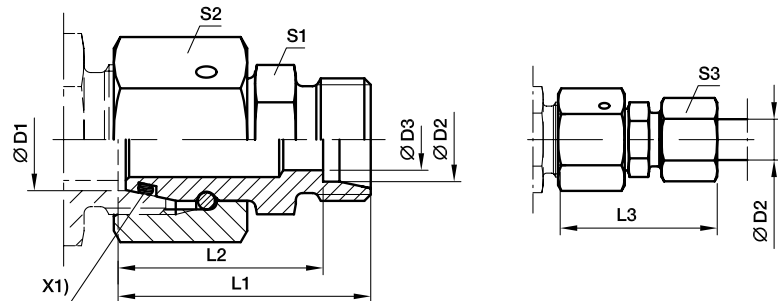
X1) O-ring OR

Series	Ø D1	Ø D2	D3	L1	L2	L3	S1	S2	S3	Weight g/1 piece	Order code	PN (bar)	
												CF	71
S	08	06	4	34.0	27.0	42	14	19	17	42	RED08/06S	800	630
S	10	06	4	34.5	27.5	42	17	22	17	55	RED10/06S	800	630
S	10	08	5	34.5	27.5	42	17	22	19	58	RED10/08S	800	630
S	12	06	4	36.0	29.0	44	17	24	17	66	RED12/06S	630	630
S	12	08	5	36.0	29.0	44	17	24	19	68	RED12/08S	630	630
S	12	10	7	37.0	29.5	46	19	24	22	75	RED12/10S	630	630
S	14	06	4	38.5	31.5	46	19	27	17	88	RED14/06S	630	630
S	14	08	5	38.5	31.5	46	19	27	19	90	RED14/08S	630	630
S	14	10	7	38.5	31.0	47	19	27	22	91	RED14/10S	630	630
S	14	12	8	38.5	31.0	47	22	27	24	100	RED14/12S	630	630
S	16	06	4	39.0	32.0	47	22	30	17	112	RED16/06S	630	400
S	16	08	5	39.0	32.0	47	22	30	19	114	RED16/08S	630	400
S	16	10	7	39.0	31.5	48	22	30	22	115	RED16/10S	630	400
S	16	12	8	39.0	31.5	48	22	30	24	118	RED16/12S	630	400
S	16	14	10	41.0	33.0	51	24	30	27	128	RED16/14S	630	400
S/L	16	15	11	39.0	32.0	47	24	30	27	120	RED16S/15L	400	315
S	20	06	4	43.0	36.0	51	27	36	17	172	RED20/06S	420	400
S	20	08	5	43.0	36.0	51	27	36	19	174	RED20/08S	420	400
S	20	10	7	43.0	35.5	52	27	36	22	174	RED20/10S	420	400
S	20	12	8	43.0	35.5	52	27	36	24	177	RED20/12S	420	400
S	20	14	10	45.0	37.0	55	27	36	27	182	RED20/14S	420	400
S/L	20	15	12	43.0	36.0	51	27	36	27	173	RED20S/15L	400	315
S	20	16	12	45.0	36.5	55	27	36	30	182	RED20/16S	420	400
S/L	20	18	14	43.0	35.5	51	27	36	32	178	RED20S/18L	400	315
S	25	06	4	45.5	38.5	53	32	46	17	294	RED25/06S	420	400
S	25	08	5	45.5	38.5	53	32	46	19	295	RED25/08S	420	400
S	25	10	7	45.5	38.0	54	32	46	22	296	RED25/10S	420	400
S	25	12	8	45.5	38.0	54	32	46	24	299	RED25/12S	420	400
S	25	14	10	47.5	39.5	57	32	46	27	303	RED25/14S	420	400
S	25	16	12	47.5	39.0	57	32	46	30	304	RED25/16S	420	400
S/L	25	18	15	45.5	38.0	54	32	46	32	299	RED25S/18L	400	315
S	25	20	16	49.5	39.0	61	32	46	36	315	RED25/20S	420	400
S/L	25	22	18	47.5	40.0	56	32	46	36	304	RED25S/22L	250	160
S	30	06	4	51.0	44.0	59	41	50	17	412	RED30/06S	420	400
S	30	08	5	51.0	44.0	59	41	50	19	404	RED30/08S	420	400
S	30	10	7	51.0	43.5	60	41	50	22	405	RED30/10S	420	400
S	30	12	8	51.0	43.5	60	41	50	24	405	RED30/12S	420	400
S	30	14	10	53.0	45.0	63	41	50	27	408	RED30/14S	420	400
S	30	16	12	53.0	44.5	63	41	50	30	412	RED30/16S	420	400
S	30	20	16	55.0	44.5	66	41	50	36	421	RED30/20S	420	400
S/L	30	22	19	53.0	45.5	61	41	50	36	406	RED30S/22L	250	160

continued on next page...

RED - Tube end reducer

EO 24° DKO swivel / EO 24° cone end



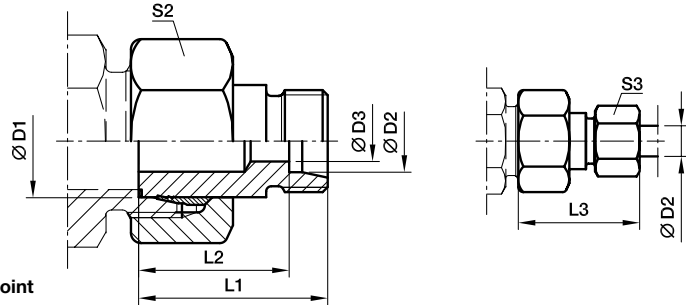
X1) O-ring OR

Series	Ø D1	Ø D2	D3	L1	L2	L3	S1	S2	S3	Weight g/1 piece	Order code	PN (bar)	
												CF	71
S	30	25	20	57.0	45.0	69	41	50	46	439	RED30/25S	420	400
S/L	30	28	23	53.0	45.5	62	41	50	41	406	RED30S/28L	250	160
S	38	06	4	54.5	47.5	62	50	60	17	556	RED38/06S	420	315
S	38	08	5	54.5	47.5	62	50	60	19	581	RED38/08S	420	315
S	38	10	7	54.5	47.0	63	50	60	22	579	RED38/10S	420	315
S	38	12	8	54.5	47.0	63	50	60	24	577	RED38/12S	420	315
S	38	14	10	56.5	48.5	66	50	60	27	579	RED38/14S	420	315
S	38	16	12	56.5	48.0	66	50	60	30	580	RED38/16S	420	315
S	38	20	16	58.5	48.0	70	50	60	36	601	RED38/20S	420	315
S	38	25	20	60.5	48.5	73	50	60	46	615	RED38/25S	420	315
S/L	38	28	24	56.5	49.0	65	50	60	41	573	RED38S/28L	250	160
S	38	30	25	62.5	49.0	76	50	60	50	625	RED38/30S	420	315
S/L	38	35	30	58.5	48.0	69	50	60	50	588	RED38S/35L	250	160

Order code suffixes			
	Stainless Steel		Body Only
Suffix	71		OMD
Example	RED16/12S71		RED16/12SOMD

KOR - Tube end reducer – Steel and Brass

EO stand pipe adjustable / EO 24° cone end



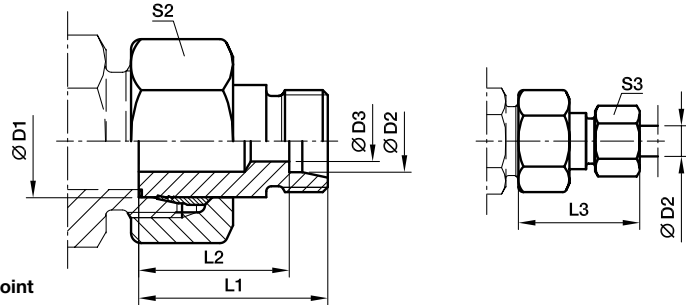
With pre-assembled nut and progressive ring for connection.
Final assembly (in appropriate body) at least 1/4 turn beyond the point of clearly perceptible resistance.

Series	∅ D1	∅ D2	D3	L1	L2	L3	S2	S3	Weight g/1 piece	Order code	PN (bar)	
											CF	MS
LL	06	04	3.0	28.5	24.5	34	12	10	16	KOR06/04LL	100	
LL	08	04	3.0	28.5	24.5	34	14	10	16	KOR08/04LL	100	
LL	08	06	4.5	23.0	17.5	29	14	12	14	KOR08/06LL	100	
L/LL	06	04	3.0	28.5	24.5	34	14	10	16	KOR06L/04LL	100	
L/LL	08	04	3.0	28.5	24.5	34	17	10	16	KOR08L/04LL	100	
L	08	06	4.0	30.5	23.5	38	17	14	27	KOR08/06L	315	200
L/LL	10	04	3.0	28.5	24.5	34	19	10	32	KOR10L/04LL	100	
L	10	06	4.0	30.5	23.5	38	19	14	34	KOR10/06L	315	200
L	10	08	6.0	30.5	23.5	38	19	17	35	KOR10/08L	315	200
L/LL	12	04	3.0	28.5	24.5	34	22	10	41	KOR12L/04LL	100	
L	12	06	4.0	30.5	23.5	38	22	14	45	KOR12/06L	315	200
L	12	08	6.0	30.5	23.5	38	22	17	45	KOR12/08L	315	200
L	12	10	8.0	31.5	24.5	39	22	19	46	KOR12/10L	315	200
L	15	06	4.0	30.5	23.5	38	27	14	68	KOR15/06L	315	200
L	15	08	6.0	30.5	23.5	38	27	17	69	KOR15/08L	315	200
L	15	10	8.0	31.5	24.5	39	27	19	70	KOR15/10L	315	200
L	15	12	10.0	31.5	24.5	39	27	22	70	KOR15/12L	315	200
L	18	06	4.0	31.5	24.5	39	32	14	100	KOR18/06L	315	200
L	18	08	6.0	31.5	24.5	39	32	17	102	KOR18/08L	315	200
L	18	10	8.0	32.5	25.5	40	32	19	102	KOR18/10L	315	200
L	18	12	10.0	32.5	25.5	40	32	22	101	KOR18/12L	315	200
L	18	15	12.0	33.5	26.5	42	32	27	106	KOR18/15L	315	200
L	22	06	4.0	32.5	25.5	40	36	14	137	KOR22/06L	160	100
L	22	08	6.0	32.5	25.5	40	36	17	136	KOR22/08L	160	100
L	22	10	8.0	33.5	26.5	41	36	19	138	KOR22/10L	160	100
L	22	12	10.0	33.5	26.5	41	36	22	138	KOR22/12L	160	100
L	22	15	12.0	34.5	27.5	43	36	27	143	KOR22/15L	160	100
L	22	18	15.0	34.5	27.0	43	36	32	143	KOR22/18L	160	100
L	28	06	4.0	33.5	26.5	41	41	14	177	KOR28/06L	160	100
L	28	08	6.0	33.5	26.5	41	41	17	179	KOR28/08L	160	100
L	28	10	8.0	34.5	27.5	42	41	19	180	KOR28/10L	160	100
L	28	12	10.0	34.5	27.5	42	41	22	180	KOR28/12L	160	100
L	28	15	12.0	35.5	28.5	44	41	27	185	KOR28/15L	160	100
L	28	18	15.0	35.5	28.0	44	41	32	184	KOR28/18L	160	100
L	28	22	19.0	37.5	30.0	46	41	36	188	KOR28/22L	160	100
L	35	06	4.0	38.5	31.5	46	50	14	302	KOR35/06L	160	
L	35	08	6.0	38.5	31.5	46	50	17	306	KOR35/08L	160	
L	35	10	8.0	39.5	32.5	47	50	19	305	KOR35/10L	160	100
L	35	12	10.0	39.5	32.5	47	50	22	304	KOR35/12L	160	100
L	35	15	12.0	40.5	33.5	49	50	27	308	KOR35/15L	160	100
L	35	18	15.0	40.5	33.0	49	50	32	316	KOR35/18L	160	100
L	35	22	19.0	42.5	35.0	51	50	36	310	KOR35/22L	160	100
L	35	28	24.0	42.5	35.0	52	50	41	305	KOR35/28L	160	100
L	42	10	8.0	40.5	33.5	48	60	19	455	KOR42/10L	160	

continued on next page...

KOR - Tube end reducer – Steel and Brass

EO stand pipe adjustable / EO 24° cone end



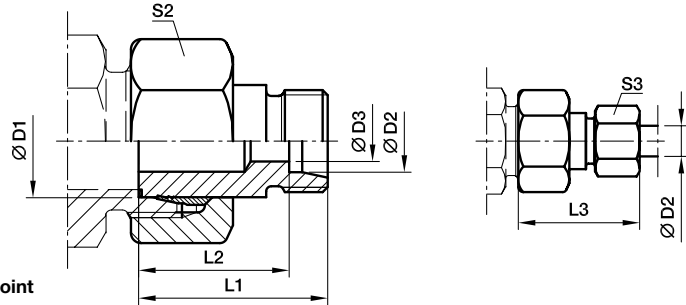
With pre-assembled nut and progressive ring for connection.
Final assembly (in appropriate body) at least 1/4 turn beyond the point of clearly perceptible resistance.

Series	Ø D1	Ø D2	D3	L1	L2	L3	S2	S3	Weight g/1 piece	Order code	PN (bar)	
											CF	MS
L	42	12	10.0	40.5	33.5	48	60	22	438	KOR42/12L	160	
L	42	15	12.0	41.5	34.5	50	60	27	438	KOR42/15L	160	100
L	42	18	15.0	41.5	34.0	50	60	32	449	KOR42/18L	160	100
L	42	22	19.0	43.5	36.0	52	60	36	461	KOR42/22L	160	100
L	42	28	24.0	43.5	36.0	53	60	41	443	KOR42/28L	160	100
L	42	35	30.0	45.5	35.0	57	60	50	444	KOR42/35L	160	100

Order code suffixes			
		Brass	Body Only
Suffix		MS	OMD
Example		KOR15/12LMS	KOR15/12LOMD

KOR - Tube end reducer – Steel and Brass

EO stand pipe adjustable / EO 24° cone end



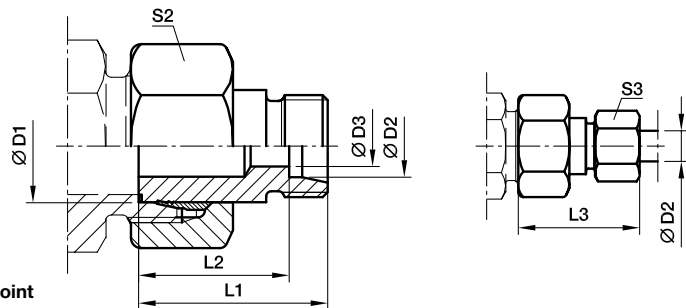
With pre-assembled nut and progressive ring for connection.
Final assembly (in appropriate body) at least 1/4 turn beyond the point of clearly perceptible resistance.

Series	Ø D1	Ø D2	D3	L1	L2	L3	S2	S3	Weight g/1 piece	Order code	PN (bar)	
											CF	MS
S	08	06	4	32	25.0	40	19	17	37	KOR08/06S	630	400
	10	06	4	33	26.0	41	22	17	53	KOR10/06S	630	400
	10	08	5	33	26.0	41	22	19	55	KOR10/08S	630	400
	12	06	4	34	27.0	42	24	17	61	KOR12/06S	630	400
	12	08	5	34	27.0	42	24	19	63	KOR12/08S	630	400
	12	10	7	34	26.5	43	24	22	64	KOR12/10S	630	400
	14	06	4	36	29.0	44	27	17	88	KOR14/06S	630	400
	14	08	5	36	29.0	44	27	19	89	KOR14/08S	630	400
	14	10	7	36	28.5	45	27	22	91	KOR14/10S	630	400
	14	12	8	36	28.5	45	27	24	92	KOR14/12S	630	400
	16	06	4	36	29.0	44	30	17	106	KOR16/06S	400	250
	16	08	5	36	29.0	44	30	19	108	KOR16/08S	400	250
	16	10	7	36	28.5	45	30	22	114	KOR16/10S	400	250
	16	12	8	36	28.5	45	30	24	115	KOR16/12S	400	250
	16	14	10	38	30.0	48	30	27	116	KOR16/14S	400	250
	20	06	4	41	34.0	49	36	17	175	KOR20/06S	400	250
	20	08	5	41	34.0	49	36	19	177	KOR20/08S	400	250
	20	10	7	41	33.5	50	36	22	178	KOR20/10S	400	250
	20	12	8	41	33.5	50	36	24	180	KOR20/12S	400	250
	20	14	10	41	33.0	51	36	27	180	KOR20/14S	400	250
	20	16	12	43	34.5	53	36	30	182	KOR20/16S	400	250
	25	06	4	44	37.0	52	46	17	306	KOR25/06S	400	
	25	08	5	44	37.0	52	46	19	311	KOR25/08S	400	250
	25	10	7	44	36.5	53	46	22	313	KOR25/10S	400	250
	25	12	8	44	36.5	53	46	24	317	KOR25/12S	400	250
	25	14	10	45	37.0	55	46	27	312	KOR25/14S	400	250
	25	16	12	45	36.5	55	46	30	315	KOR25/16S	400	250
	25	20	16	48	37.5	59	46	36	328	KOR25/20S	400	250
	30	06	4	46	39.0	54	50	17	373	KOR30/06S	400	
	30	08	5	46	39.0	54	50	19	376	KOR30/08S	400	
	30	10	7	46	38.5	55	50	22	376	KOR30/10S	400	250
	30	12	8	46	38.5	55	50	24	377	KOR30/12S	400	250
30	14	10	48	40.0	58	50	27	379	KOR30/14S	400	250	
30	16	12	48	39.5	58	50	30	381	KOR30/16S	400	250	
30	20	16	50	39.5	61	50	36	386	KOR30/20S	400	250	
30	25	20	52	40.0	64	50	46	406	KOR30/25S	400	250	
38	06	4	50	43.0	58	60	17	571	KOR38/06S	315		
38	08	5	50	43.0	58	60	19	567	KOR38/08S	315		
38	10	7	50	42.5	59	60	22	571	KOR38/10S	315	200	
38	12	8	50	42.5	59	60	24	571	KOR38/12S	315	200	

continued on next page...

KOR - Tube end reducer – Steel and Brass

EO stand pipe adjustable / EO 24° cone end



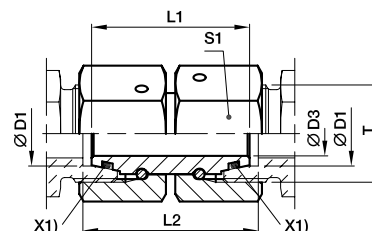
With pre-assembled nut and progressive ring for connection.
Final assembly (in appropriate body) at least 1/4 turn beyond the point of clearly perceptible resistance.

Series	Ø D1	Ø D2	D3	L1	L2	L3	S2	S3	Weight g/1 piece	Order code	PN (bar)	
											CF	MS
S	38	14	10	52	44.0	62	60	27	575	KOR38/14S	315	200
	38	16	12	52	43.5	62	60	30	580	KOR38/16S	315	200
	38	20	16	54	43.5	65	60	36	593	KOR38/20S	315	200
	38	25	20	56	44.0	68	60	46	605	KOR38/25S	315	200
	38	30	25	58	44.5	71	60	50	614	KOR38/30S	315	200

Order code suffixes			
		Brass	Body Only
Suffix		MS	OMD
Example		KOR16/12SMS	KOR16/12SOMD

GZ - Swivel union

EO 24° DKO swivel



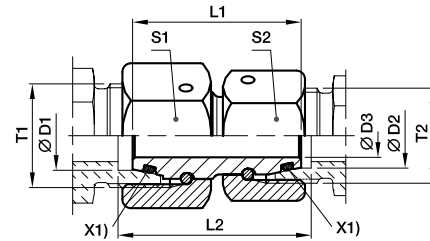
X1) O-ring OR

Series	Ø D1	T	D3	L1	L2	S1	Weight g/1 piece	Order code	PN (bar)	
									CF	71
L	06	M 12×1.5	2.5	32	32	14	28	GZ06L	500	315
	08	M 14×1.5	4.0	32	32	17	41	GZ08L	500	315
	10	M 16×1.5	6.0	33	33	19	53	GZ10L	500	315
	12	M 18×1.5	8.0	33	33	22	71	GZ12L	400	315
	15	M 22×1.5	10.0	38	38	27	129	GZ15L	400	315
	18	M 26×1.5	13.0	36	38	32	165	GZ18L	400	315
	22	M 30×2.0	17.0	42	44	36	243	GZ22L	250	160
	28	M 36×2.0	22.0	46	48	41	319	GZ28L	250	160
	35	M 45×2.0	28.0	48	52	50	449	GZ35L	250	160
42	M 52×2.0	34.0	52	57	60	737	GZ42L	250	160	
S	06	M 14×1.5	2.5	32	33	17	41	GZ06S	800	630
	08	M 16×1.5	4.0	33	34	19	54	GZ08S	800	630
	10	M 18×1.5	6.0	33	35	22	74	GZ10S	800	630
	12	M 20×1.5	8.0	36	38	24	95	GZ12S	630	630
	14	M 22×1.5	9.0	39	41	27	131	GZ14S	630	630
	16	M 24×1.5	11.0	39	42	30	172	GZ16S	630	400
	20	M 30×2.0	14.0	44	48	36	261	GZ20S	420	400
	25	M 36×2.0	18.0	46	53	46	477	GZ25S	420	400
	30	M 42×2.0	23.0	52	62	50	605	GZ30S	420	400
38	M 52×2.0	30.0	52	67	60	826	GZ38S	420	315	

Order code suffixes			
	Stainless Steel		
Suffix	71		
Example	GZ16S71		

GZR - Swivel reducer

EO 24° DKO swivel



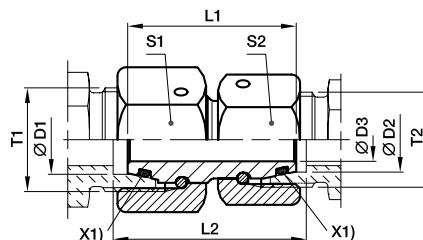
X1) O-ring OR

Series	Ø D1	Ø D2	T1	T2	D3	L1	L2	S1	S2	Weight g/1 piece	Order code	PN (bar)	
												CF	71
L/S	06	06	M 14×1.5	M 12×1.5	2.5	32	32.0	17	14	34	GZR06L/06S	500	500
L	08	06	M 14×1.5	M 12×1.5	2.5	32	32.0	17	14	36	GZR08/06L	500	500
L/S	08	08	M 16×1.5	M 14×1.5	4.0	33	33.0	19	17	48	GZR08L/08S	500	500
L	10	06	M 16×1.5	M 12×1.5	2.5	33	33.0	19	14	44	GZR10/06L	500	500
L	10	08	M 16×1.5	M 14×1.5	4.0	34	34.0	19	17	50	GZR10/08L	500	500
L/S	10	10	M 18×1.5	M 16×1.5	6.0	33.5	33.5	22	19	63	GZR10L/10S	500	500
L	12	06	M 18×1.5	M 12×1.5	2.5	33	33.0	22	14	56	GZR12/06L	400	400
L	12	08	M 18×1.5	M 14×1.5	4.0	33	33.0	22	17	62	GZR12/08L	400	400
L	12	10	M 18×1.5	M 16×1.5	6.0	33	33.0	22	19	65	GZR12/10L	400	400
L/S	12	12	M 20×1.5	M 18×1.5	8.0	36	36.0	24	22	85	GZR12L/12S	400	400
L	15	08	M 22×1.5	M 14×1.5	4.0	38	38.0	27	17	98	GZR15/08L	400	400
L	15	10	M 22×1.5	M 16×1.5	6.0	38	38.0	27	19	101	GZR15/10L	400	400
L	15	12	M 22×1.5	M 18×1.5	8.0	38	38.0	27	22	108	GZR15/12L	400	400
L	18	10	M 26×1.5	M 16×1.5	6.0	36	37.5	32	19	125	GZR18/10L	400	400
L	18	12	M 26×1.5	M 18×1.5	8.0	36	37.5	32	22	132	GZR18/12L	400	400
L	18	15	M 26×1.5	M 22×1.5	10.0	38	39.5	32	27	155	GZR18/15L	400	400
L/S	18	16	M 26×1.5	M 24×1.5	11.0	39	41.5	32	30	177	GZR18L/16S	400	400
L	22	12	M 30×2.0	M 18×1.5	8.0	42	43.5	36	22	195	GZR22/12L	250	250
L	22	15	M 30×2.0	M 22×1.5	10.0	42	43.5	36	27	215	GZR22/15L	250	250
L	22	18	M 30×2.0	M 26×1.5	13.0	42	44.0	36	32	228	GZR22/18L	250	250
L/S	22	20	M 30×2.0	M 30×2.0	14.0	44	47.0	36	36	266	GZR22L/20S	250	250
L	28	15	M 36×2.0	M 22×1.5	10.0	46	47.5	41	27	143	GZR28/15L	250	250
L	28	18	M 36×2.0	M 26×1.5	13.0	46	48.0	41	32	311	GZR28/18L	250	250
L	28	22	M 36×2.0	M 30×2.0	17.0	46	46.0	41	36	309	GZR28/22L	250	250
L/S	28	25	M 36×2.0	M 36×2.0	18.0	46	50.5	41	46	419	GZR28L/25S	250	250
L	35	18	M 45×2.0	M 26×1.5	13.0	48	51.0	50	32	430	GZR35/18L	250	250
L	35	22	M 45×2.0	M 30×2.0	17.0	48	51.0	50	36	429	GZR35/22L	250	250
L	35	28	M 45×2.0	M 36×2.0	22.0	48	51.0	50	41	415	GZR35/28L	250	250
L/S	35	30	M 45×2.0	M 42×2.0	23.0	52	59.0	50	50	577	GZR35L/30S	250	250
L	42	22	M 52×2.0	M 30×2.0	17.0	52	55.5	60	36	653	GZR42/22L	250	250
L	42	28	M 52×2.0	M 36×2.0	22.0	52	55.5	60	41	648	GZR42/28L	250	250
L	42	35	M 52×2.0	M 45×2.0	28.0	52	56.5	60	50	662	GZR42/35L	250	250
L/S	42	38	M 52×2.0	M 52×2.0	30.0	52	62.0	60	60	822	GZR42L/38S	250	250
S	08	06	M 16×1.5	M 14×1.5	2.5	33	34.0	19	17	49	GZR08/06S	800	800
S	10	06	M 18×1.5	M 14×1.5	2.5	33	34.5	22	17	60	GZR10/06S	800	800
S	10	08	M 18×1.5	M 16×1.5	4.0	33	34.5	22	19	66	GZR10/08S	800	800
S	12	06	M 20×1.5	M 14×1.5	2.5	36	37.5	24	17	77	GZR12/06S	630	630
S	12	08	M 20×1.5	M 16×1.5	4.0	36	37.5	24	19	82	GZR12/08S	630	630
S	12	10	M 20×1.5	M 18×1.5	6.0	36	38.0	24	22	89	GZR12/10S	630	630
S	16	10	M 24×1.5	M 18×1.5	6.0	39	41.5	30	22	138	GZR16/10S	630	630
S	16	12	M 24×1.5	M 20×1.5	8.0	39	41.5	30	24	143	GZR16/12S	630	630
S/L	16	15	M 24×1.5	M 22×1.5	10.0	39	41.0	30	27	153	GZR16S/15L	400	400
S	20	12	M 30×2.0	M 20×1.5	8.0	44	47.0	36	24	204	GZR20/12S	420	420
S	20	16	M 30×2.0	M 24×1.5	11.0	44	47.5	36	30	232	GZR20/16S	420	420

continued on next page...

GZR - Swivel reducer

EO 24° DKO swivel



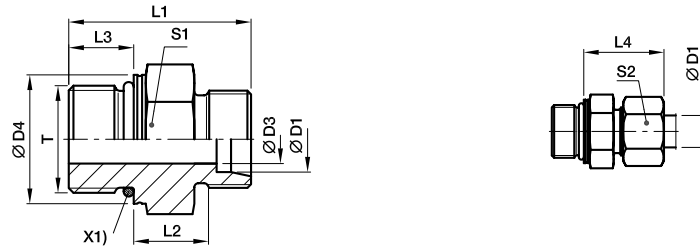
X1) O-ring OR

Series	Ø D1	Ø D2	T1	T2	D3	L1	L2	S1	S2	Weight g/1 piece	Order code	PN (bar)	
												CF	71
S/L	20	18	M 30×2.0	M 26×1.5	13.0	44	47.0	36	32	224	GZR20S/18L	400	400
S	25	16	M 36×2.0	M 24×1.5	11.0	46	51.0	46	30	224	GZR25/16S	420	420
S	25	20	M 36×2.0	M 30×2.0	14.0	46	51.5	46	36	364	GZR25/20S	420	420
S/L	25	22	M 36×2.0	M 30×2.0	17.0	46	50.5	46	36	475	GZR25S/22L	250	250
S	30	16	M 42×2.0	M 24×1.5	11.0	52	58.5	50	30	475	GZR30/16S	420	420
S	30	20	M 42×2.0	M 30×2.0	14.0	52	59.0	50	36	500	GZR30/20S	420	420
S	30	25	M 42×2.0	M 36×2.0	18.0	52	60.5	50	46	589	GZR30/25S	420	420
S/L	30	28	M 42×2.0	M 36×2.0	22.0	52	58.0	50	41	476	GZR30S/28L	250	250
S	38	20	M 52×2.0	M 30×2.0	14.0	52	61.5	60	36	671	GZR38/20S	420	420
S	38	25	M 52×2.0	M 36×2.0	18.0	52	63.0	60	46	759	GZR38/25S	420	420
S	38	30	M 52×2.0	M 42×2.0	23.0	52	64.5	60	50	767	GZR38/30S	420	420
S/L	38	35	M 52×2.0	M 45×2.0	28.0	52	61.5	60	50	662	GZR38S/35L	250	250

Order code suffixes			
	Stainless Steel		
Suffix	71		
Example	GZR16/12S71		

GEO - Male stud connector

Male metric thread – O-ring (ISO 6149) / EO 24° cone end



X1) O-ring OR

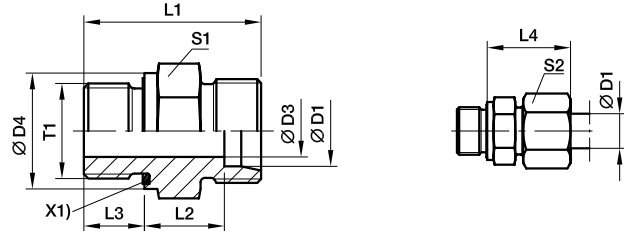
Series	Ø D1	T	D3	D4	L1	L2	L3	L4	S1	S2	Weight g/1 piece	Order code	PN (bar)	
													CF	71
LL	04	M 08×1.0	3.0	10.8	20.0	9.5	6.5	19.0	11*	10	8	GE004LLM	100	100
	04	M 10×1.0	3.0	12.8	20.0	9.5	6.5	19.0	13	10	11	GE004LLM10X1	100	
	06	M 10×1.0	4.5	12.8	20.0	8.0	6.5	19.5	13	12	10	GE006LLM	100	
L	06	M 10×1.5	4.5	14.0	24.0	8.5	8.5	23.0	14	14	15	GE006LM	500	315
	08	M 12×1.5	6.0	17.0	28.0	10.0	11.0	25.0	17	17	23	GE008LM	500	315
	10	M 14×1.5	7.5	19.0	29.0	11.0	11.0	26.0	19	19	28	GE010LM	500	315
	12	M 16×1.5	9.0	22.0	31.0	12.5	11.5	27.0	22	22	40	GE012LM	400	315
	15	M 18×1.5	11.0	24.0	33.0	13.5	12.5	29.0	24	27	56	GE015LM	400	315
	18	M 22×1.5	14.0	27.0	35.0	14.5	13.0	31.0	27	32	80	GE018LM	400	315
	22	M 27×2.0	18.0	32.0	40.0	16.5	16.0	33.0	32	36	104	GE022LM27X2	250	160
	28	M 33×2.0	23.0	41.0	41.0	17.5	16.0	34.0	41	41	171	GE028LM	250	160
	35	M 42×2.0	30.0	50.0	44.0	17.5	16.0	39.0	50	50	278	GE035LM	250	160
42	M 48×2.0	36.0	55.0	47.5	19.0	17.5	42.0	55	60	340	GE042LM	250	160	
S	06	M 12×1.5	4.0	17.0	31.0	13.0	11.0	28.0	17	17	29	GE006SM	800	630
	08	M 14×1.5	6.0	19.0	33.0	15.0	11.0	30.0	19	19	41	GE008SM	800	630
	10	M 16×1.5	7.0	22.0	35.0	15.0	12.5	31.0	22	22	55	GE010SM	800	630
	12	M 18×1.5	9.0	24.0	38.5	17.0	14.0	33.0	24	24	73	GE012SM	630	630
	16	M 22×1.5	12.0	27.0	42.0	18.5	15.0	37.0	27	30	102	GE016SM	630	400
	20	M 27×2.0	15.0	32.0	49.5	20.5	18.5	42.0	32	36	169	GE020SM	420	400
	25	M 33×2.0	20.0	41.0	53.5	23.0	18.5	47.0	41	46	274	GE025SM	420	400
	30	M 42×2.0	26.0	50.0	56.0	23.5	19.0	50.0	50	50	412	GE030SM	420	400
38	M 48×2.0	32.0	55.0	63.5	26.0	21.5	57.0	55	60	580	GE038SM	420	315	

*S1=SW12 in 1.4571

Order code suffixes		
	Stainless Steel	
Suffix	71	
Example	GE016SM71	

GE-M-ED - Male stud connector

Male metric thread – ED (ISO 9974) / EO 24° cone end



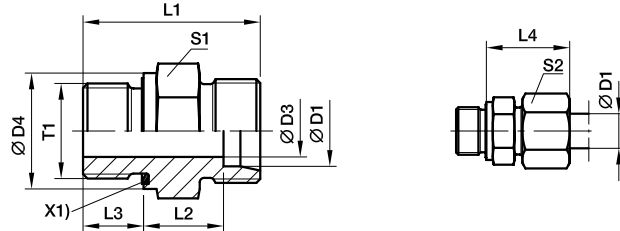
X1) Eolastic-sealing ED

Series	Ø D1	T1	D3	D4	L1	L2	L3	L4	S1	S2	Weight g/1 piece	Order code	PN (bar)	
													CF	71
L	06	M 10×1.0	4	14	23.5	8.5	8	23	14	14	13	GE06LMED	500	315
	08	M 12×1.5	6	17	29.0	10.0	12	25	17	17	22	GE08LMED	500	315
	10	M 14×1.5	7	19	30.0	11.0	12	26	19	19	29	GE10LMED	500	315
	10	M 12×1.5	6	17	30.0	11.0	12	26	17	19	23	GE10LM12X1.5ED	315	315
	10	M 16×1.5	8	22	31.5	12.5	12	24	22	19	40	GE10LM16X1.5ED	420	315
	10	M 18×1.5	8	24	31.5	12.5	12	27	24	19	50	GE10LM18X1.5ED	400	315
	10	M 22×1.5	8	27	35.0	14.0	14	29	27	19	80	GE10LM22X1.5ED	400	315
	12	M 16×1.5	9	22	31.5	12.5	12	27	22	22	40	GE12LMED	400	315
	12	M 14×1.5	7	19	30.0	11.0	12	26	19	22	30	GE12LM14X1.5ED	400	315
	12	M 18×1.5	10	24	31.5	12.5	12	27	24	22	47	GE12LM18X1.5ED	400	315
	12	M 22×1.5	10	27	35.0	14.0	14	29	27	22	75	GE12LM22X1.5ED	400	315
	15	M 18×1.5	11	24	32.5	13.5	12	29	24	27	51	GE15LMED	400	315
	15	M 16×1.5	9	22	32.0	13.0	12	28	24	27	64	GE15LM16X1.5ED	400	315
	15	M 22×1.5	12	27	36.0	15.0	14	30	27	27	77	GE15LM22X1.5ED	400	315
	18	M 22×1.5	14	27	36.0	14.5	14	31	27	32	74	GE18LMED	400	315
	18	M 18×1.5	11	24	33.5	14.0	12	30	27	32	68	GE18LM18X1.5ED	400	315
	22	M 26×1.5	18	32	40.0	16.5	16	33	32	36	103	GE22LMED	250	160
	22	M 22×1.5	14	32	38.0	16.5	14	33	32	36	97	GE22LM22X1.5ED	250	160
	28	M 33×2.0	23	40	43.0	17.5	18	34	41	41	168	GE28LMED	250	160
	35	M 42×2.0	30	50	48.0	17.5	20	39	50	50	281	GE35LMED	250	160
42	M 48×2.0	36	55	52.0	19.0	22	42	55	60	356	GE42LMED	250	160	
S	06	M 12×1.5	4	17	32.0	13.0	12	28	17	17	30	GE06SMED	800	630
	08	M 14×1.5	5	19	34.0	15.0	12	30	19	19	42	GE08SMED	800	630
	10	M 16×1.5	7	22	34.5	15.0	12	31	22	22	54	GE10SMED	800	630
	12	M 18×1.5	8	24	36.5	17.0	12	33	24	24	71	GE12SMED	630	630
	12	M 14×1.5	5	19	36.0	16.5	12	33	22	24	60	GE12SM14X1.5ED	630	630
	12	M 22×1.5	8	27	39.0	17.5	14	34	27	24	102	GE12SM22X1.5ED	630	400
	14	M 20×1.5	10	26	41.0	19.0	14	37	27	27	98	GE14SMED	630	630
	16	M 22×1.5	12	27	41.0	18.5	14	37	27	30	95	GE16SMED	630	400
	16	M 18×1.5	8	24	38.5	18.0	12	36	27	30	88	GE16SM18X1.5ED	630	400
	20	M 27×2.0	16	32	47.0	20.5	16	42	32	36	150	GE20SMED	420	400
	25	M 33×2.0	20	40	53.0	23.0	18	47	41	46	264	GE25SMED	420	400
	30	M 42×2.0	25	50	57.0	23.5	20	50	50	50	422	GE30SMED	420	400
	38	M 48×2.0	32	55	64.0	26.0	22	57	55	60	569	GE38SMED	420	315

Order code suffixes			
	Stainless Steel		Body Only
Suffix	71		OMD
Example	GE16SMED71		GE16SMEDOMD

GE-R-ED - Male stud connector

Male BSPP thread – ED-seal (ISO 1179) / EO 24° cone end



X1) Eolastic-sealing ED

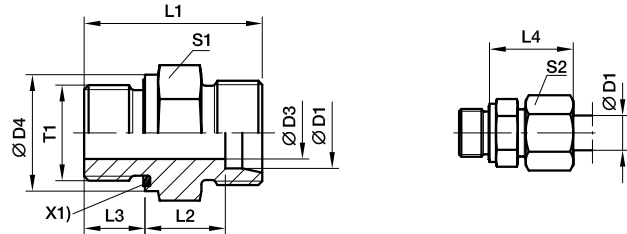
Series	Ø D1	T1	D3	D4	L1	L2	L3	L4	S1	S2	Weight g/1 piece	Order code	PN (bar)		
													CF	71	MS
LL	04	G 1/8 A	3	14	20.0	9.5	6.5	19	14	10	10	GE04LLRED	100	100	63
	06	G 1/8 A	4	14	20.0	8.0	6.5	20	14	12	11	GE06LLRED	100	100	63
L	06	G 1/8 A	4	14	23.5	8.5	8.0	23	14	14	13	GE06LRED	500	315	200
	06	G 1/4 A	4	19	29.0	10.0	12.0	25	19	14	28	GE06LR1/4ED	500	315	200
	06	G 3/8 A	4	22	30.5	11.5	12.0	26	22	14	44	GE06LR3/8ED	420	315	200
	06	G 1/2 A	4	27	33.0	12.0	14.0	27	27	14	61	GE06LR1/2ED	400	315	200
	08	G 1/4 A	6	19	29.0	10.0	12.0	25	19	17	27	GE08LRED	500	315	200
	08	G 1/8 A	4	14	24.5	9.5	8.0	24	14	17	16	GE08LR1/8ED	500	315	200
	08	G 3/8 A	6	22	30.5	11.5	12.0	26	22	17	45	GE08LR3/8ED	420	315	200
	08	G 1/2 A	6	27	33.0	12.0	14.0	27	27	17	74	GE08LR1/2ED	400	315	200
	10	G 1/4 A	6	19	30.0	11.0	12.0	26	19	19	29	GE10LRED	500	315	200
	10	G 1/8 A	4	14	25.5	10.5	8.0	25	17	19	21	GE10LR1/8ED	500	315	200
	10	G 3/8 A	8	22	31.5	12.5	12.0	27	22	19	43	GE10LR3/8ED	420	315	200
	10	G 1/2 A	8	27	34.0	13.0	14.0	28	27	19	71	GE10LR1/2ED	400	315	200
	12	G 3/8 A	9	22	31.5	12.5	12.0	27	22	22	41	GE12LRED	420	315	200
	12	G 1/8 A	4	14	26.5	11.5	8.0	26	19	22	26	GE12LR1/8ED	420	315	200
	12	G 1/4 A	6	19	31.0	12.0	12.0	27	19	22	31	GE12LR1/4ED	400	315	200
	12	G 1/2 A	10	27	34.0	13.0	14.0	28	27	22	67	GE12LR1/2ED	400	315	200
	12	G 3/4 A	10	32	37.0	14.0	16.0	29	32	22	118	GE12LR3/4ED	250	160	100
	15	G 1/2 A	11	27	35.0	14.0	14.0	29	27	27	72	GE15LRED	400	315	200
	15	G 3/8 A	9	22	32.5	13.5	12.0	29	24	27	54	GE15LR3/8ED	400	315	200
	15	G 3/4 A	12	32	38.0	15.0	16.0	30	32	27	116	GE15LR3/4ED	250	160	100
	18	G 1/2 A	14	27	36.0	14.5	14.0	31	27	32	71	GE18LRED	400	315	200
	18	G 3/8 A	9	22	33.5	14.0	12.0	30	27	32	66	GE18LR3/8ED	400	315	200
	18	G 3/4 A	15	32	38.0	14.5	16.0	31	32	32	110	GE18LR3/4ED	250	160	100
	22	G 3/4 A	18	32	40.0	16.5	16.0	33	32	36	102	GE22LRED	250	160	100
	22	G 1/2 A	14	27	38.0	16.5	14.0	33	32	36	91	GE22LR1/2ED	250	160	100
	22	G 1 A	19	40	43.0	17.5	18.0	34	41	36	189	GE22LR1ED	250	160	100
	28	G 1 A	23	40	43.0	17.5	18.0	34	41	41	170	GE28LRED	250	160	100
	28	G 3/4 A	18	32	41.0	17.5	16.0	34	41	41	159	GE28LR3/4ED	250	160	100
	28	G 1 1/4 A	24	50	46.0	18.5	20.0	35	50	41	316	GE28LR11/4ED	250	160	100
	35	G 1 1/4 A	30	50	48.0	17.5	20.0	39	50	50	272	GE35LRED	250	160	100
	35	G 1 A	23	40	46.0	17.5	18.0	39	46	50	226	GE35LR1ED	250	160	100
	35	G 1 1/2 A	30	55	52.0	19.5	22.0	41	55	50	423	GE35LR11/2ED	250	160	100
42	G 1 1/2 A	36	55	52.0	19.0	22.0	42	55	60	343	GE42LRED	250	160	100	
42	G 1 A	23	40	48.0	19.0	18.0	42	55	60	324	GE42LR1ED	250	160	100	
42	G 1 1/4 A	30	50	50.0	19.0	20.0	42	55	60	348	GE42LR11/4ED	250	160	100	

continued on next page...

Order code suffixes			
	Stainless Steel	Brass	Body Only
Suffix	71	MS	OMD
Example	GE15LRED71	GE15LREDMS	GE15LREDOMD

GE-R-ED - Male stud connector

Male BSPP thread – ED-seal (ISO 1179) / EO 24° cone end



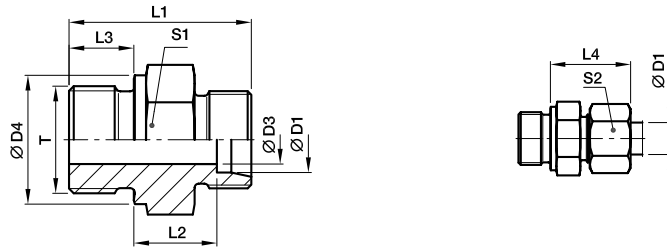
X1) Eolastic-sealing ED

Series	Ø D1	T1	D3	D4	L1	L2	L3	L4	S1	S2	Weight g/1 piece	Order code	PN (bar)		
													CF	71	MS
S	06	G 1/4 A	4	19	32.0	13.0	12	28	19	17	35	GE06SRED	800	630	400
	06	G 1/8 A	4	14	27.5	12.5	8	27	14	17	21	GE06SR1/8ED	500	315	
	06	G 3/8 A	4	22	34.5	15.5	12	30	22	17	52	GE06SR3/8ED	630	630	
	06	G 1/2 A	4	27	39.0	18.0	14	33	27	17	83	GE06SR1/2ED	630	400	
	08	G 1/4 A	5	19	34.0	15.0	12	30	19	19	41	GE08SRED	800	630	400
	08	G 3/8 A	5	22	34.5	15.5	12	30	22	19	57	GE08SR3/8ED	800	630	
	08	G 1/2 A	5	27	39.0	18.0	14	33	27	19	89	GE08SR1/2ED	630	400	
	10	G 3/8 A	7	22	34.5	15.0	12	31	22	22	55	GE10SRED	800	630	400
	10	G 1/4 A	5	19	34.0	14.5	12	31	19	22	42	GE10SR1/4ED	800	630	
	10	G 1/2 A	7	27	39.0	17.5	14	34	27	22	97	GE10SR1/2ED	630	630	
	12	G 3/8 A	8	22	36.5	17.0	12	33	22	24	62	GE12SRED	630	630	400
	12	G 1/4 A	5	19	36.0	16.5	12	33	22	24	61	GE12SR1/4ED	630	630	
	12	G 1/2 A	8	27	39.0	17.5	14	34	27	24	99	GE12SR1/2ED	630	630	
	14	G 1/2 A	10	27	41.0	19.0	14	37	27	27	96	GE14SRED	630	630	400
	14	G 3/8 A	8	22	38.5	18.5	12	36	24	27	74	GE14SR3/8ED	630	630	
	14	G 3/4 A	10	32	45.0	21.0	16	39	32	27	138	GE14SR3/4ED	420	400	
	16	G 1/2 A	12	27	41.0	18.5	14	37	27	30	91	GE16SRED	630	400	250
	16	G 3/8 A	8	22	38.5	18.0	12	36	27	30	83	GE16SR3/8ED	630	400	
	16	G 3/4 A	12	32	45.0	20.5	16	39	32	30	152	GE16SR3/4ED	420	400	
	20	G 3/4 A	16	32	47.0	20.5	16	42	32	36	149	GE20SRED	420	400	250
	20	G 1/2 A	12	27	45.0	20.5	14	42	32	36	142	GE20SR1/2ED	420	400	
	20	G 1 A	16	40	51.0	22.5	18	44	41	36	265	GE20SR1ED	420	400	
	20	G 1 1/4 A	16	50	53.0	22.5	20	44	50	36	404	GE20SR11/4ED	420	400	
	25	G 1 A	20	40	53.0	23.0	18	47	41	46	266	GE25SRED	420	400	250
	25	G 1/2 A	12	27	49.0	23.0	14	47	41	46	228	GE25SR1/2ED	420	400	
	25	G 3/4 A	16	32	51.0	23.0	16	47	41	46	255	GE25SR3/4ED	420	400	
	25	G 1 1/4 A	20	50	55.0	23.0	20	47	50	46	411	GE25SR11/4ED	420	400	
	25	G 1 1/2 A	20	55	60.0	26.0	22	50	55	46	549	GE25SR11/2ED	315	315	
	30	G 1 1/4 A	25	50	57.0	23.5	20	50	50	50	418	GE30SRED	420	400	250
	30	G 1 A	20	40	55.0	23.5	18	50	46	50	344	GE30SR1ED	420	400	
30	G 1 1/2 A	25	55	62.0	26.5	22	53	55	50	530	GE30SR11/2ED	315	315		
38	G 1 1/2 A	32	55	64.0	26.0	22	57	55	60	563	GE38SRED	420	315	200	
38	G 1 1/4 A	25	50	62.0	26.0	20	57	55	60	575	GE38SR11/4ED	420	315		

Order code suffixes			
	Stainless Steel	Brass	Body Only
Suffix	71	MS	OMD
Example	GE16SRED71	GE16SREDMS	GE16SREDOMD

GE-R - Male stud connector

Male BSPP thread – metal sealing edge (ISO 1179) / EO 24° cone end



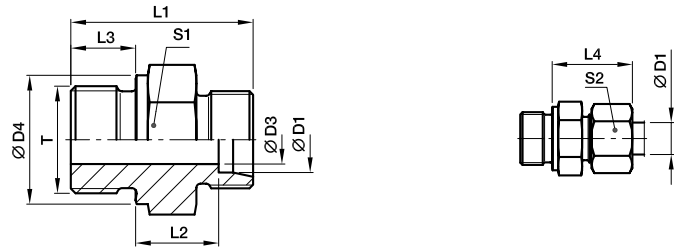
Series	Ø D1	T	D3	D4	L1	L2	L3	L4	S1	S2	Weight g/1 piece	Order code	PN (bar)		
													CF	71	MS
L	06	G 1/8 A	4	14	23.5	8.5	8	23.0	14	14	14	GE06LR	315	315	200
	06	G 1/4 A	4	18	29.0	10.0	12	25.0	19	14	60	GE06LR1/4	315	315	200
	06	G 3/8 A	4	22	30.5	11.5	12	26.0	22	14	45	GE06LR3/8	315	315	200
	06	G 1/2 A	4	26	33.0	12.0	14	27.0	27	14	60	GE06LR1/2	315	315	200
	08	G 1/4 A	6	18	29.0	10.0	12	25.0	19	17	26	GE08LR	315	315	200
	08	G 1/8 A	4	14	24.5	8.5	8	23.0	14	17	16	GE08LR1/8	315	315	200
	08	G 3/8 A	6	22	30.5	11.5	12	26.0	22	17	44	GE08LR3/8	315	315	200
	08	G 1/2 A	6	26	33.0	12.0	14	27.0	27	17	74	GE08LR1/2	315	315	200
	10	G 1/4 A	6	18	30.0	11.0	12	26.0	19	19	31	GE10LR	315	315	200
	10	G 1/8 A	4	14	25.5	10.5	8	25.0	17	19	21	GE10LR1/8	315	315	200
	10	G 3/8 A	8	22	31.5	12.5	12	27.0	22	19	44	GE10LR3/8	315	315	200
	10	G 1/2 A	8	26	34.0	13.0	14	28.0	27	19	72	GE10LR1/2	315	315	200
	12	G 3/8 A	9	22	31.5	12.5	12	27.0	22	22	43	GE12LR	315	315	200
	12	G 1/8 A	4	14	26.5	11.5	8	26.0	19	22	27	GE12LR1/8	315	315	200
	12	G 1/4 A	6	18	31.0	12.0	12	27.0	19	22	32	GE12LR1/4	315	315	200
	12	G 1/2 A	10	26	34.0	13.0	14	28.0	27	22	67	GE12LR1/2	315	315	200
	12	G 3/4 A	10	32	37.0	14.0	16	29.0	32	22	120	GE12LR3/4	315	315	200
	15	G 1/2 A	11	26	35.0	14.0	14	29.0	27	27	72	GE15LR	250	250	160
	15	G 3/8 A	9	22	32.5	13.5	12	29.0	24	27	56	GE15LR3/8	250	250	160
	15	G 3/4 A	12	32	38.0	15.0	16	30.0	32	27	118	GE15LR3/4	250	250	160
	18	G 1/2 A	14	26	36.0	14.5	14	31.0	27	32	72	GE18LR	250	250	160
	18	G 3/8 A	9	22	33.5	14.0	12	29.5	27	32	69	GE18LR3/8	250	250	160
	18	G 3/4 A	15	32	38.0	14.5	16	30.0	32	32	112	GE18LR3/4	250	250	160
	22	G 3/4 A	18	32	40.0	16.5	16	33.0	32	36	103	GE22LR	160	160	100
	22	G 1/2 A	14	26	38.0	16.5	14	33.0	32	36	91	GE22LR1/2	160	160	100
	22	G 1 A	19	39	43.0	17.5	18	33.5	41	36	184	GE22LR1	160	160	100
	28	G 1 A	23	39	43.0	17.5	18	34.0	41	41	168	GE28LR	160	160	100
	28	G 1/2 A	14	26	39.0	17.5	14	34.0	41	41	141	GE28LR1/2	160	160	100
	28	G 3/4 A	18	32	41.0	17.5	16	34.0	41	41	156	GE28LR3/4	160	160	100
	28	G 1 1/4 A	24	50	46.0	18.3	20	35.0	50	41	314	GE28LR11/4	160	160	100
	35	G 1 1/4 A	30	49	48.0	17.5	20	39.0	50	50	276	GE35LR	160	160	100
	35	G 1/2 A	14	26	42.0	17.5	14	39.0	46	50	194	GE35LR1/2	160	160	100
35	G 3/4 A	18	32	44.0	17.5	16	39.0	46	50	202	GE35LR3/4	160	160	100	
35	G 1 A	23	39	46.0	17.5	18	39.0	46	50	234	GE35LR1	160	160	100	
35	G 1 1/2 A	30	55	52.0	19.5	22	41.0	55	50	355	GE35LR11/2	160	160	100	
42	G 1 1/2 A	36	55	52.0	19.0	22	42.0	55	60	349	GE42LR	160	160	100	
42	G 1 A	23	39	48.0	19.0	18	42.0	55	60	327	GE42LR1	160	160	100	
42	G 1 1/4 A	30	49	50.0	19.0	20	42.0	55	60	336	GE42LR11/4	160	160	100	

continued on next page...

Order code suffixes			
	Stainless Steel	Brass	Body Only
Suffix	71	MS	X
Example	GE15LR71	GE15LRMS	GE15LRX

GE-R - Male stud connector

Male BSPP thread – metal sealing edge (ISO 1179) / EO 24° cone end

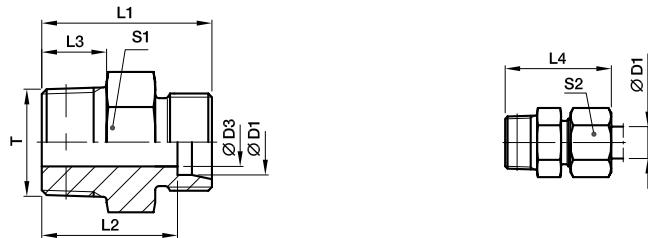


Series	Ø D1	T	D3	D4	L1	L2	L3	L4	S1	S2	Weight g/1 piece	Order code	PN (bar)		
													CF	71	MS
S	06	G 1/4 A	4	18	32.0	13.0	12	28	19	17	35	GE06SR	400	400	250
	06	G 1/8 A	3	14	27.5	12.5	8	27	14	17	22	GE06SR1/8	400	400	
	06	G 3/8 A	4	22	34.5	15.5	12	30	22	17	57	GE06SR3/8	400	400	
	06	G 1/2 A	4	26	39.0	18.0	14	33	27	17	83	GE06SR1/2	400	400	
	08	G 1/4 A	5	18	34.0	15.0	12	30	19	19	41	GE08SR	400	400	250
	08	G 3/8 A	5	22	34.5	15.5	12	30	22	19	59	GE08SR3/8	400	400	
	08	G 1/2 A	5	26	39.0	18.0	14	33	27	19	100	GE08SR1/2	400	400	
	10	G 3/8 A	7	22	34.5	15.0	12	31	22	22	56	GE10SR	400	400	250
	10	G 1/4 A	5	18	34.0	14.5	12	31	19	22	43	GE10SR1/4	400	400	
	10	G 1/2 A	7	26	39.0	17.5	14	34	27	22	97	GE10SR1/2	400	400	
	12	G 3/8 A	8	22	36.5	17.0	12	33	22	24	62	GE12SR	400	400	250
	12	G 1/4 A	5	18	36.0	16.5	12	33	22	24	57	GE12SR1/4	400	400	
	12	G 1/2 A	8	26	39.0	17.5	14	34	27	24	57	GE12SR1/2	400	400	
	14	G 1/2 A	10	26	41.0	19.0	14	37	27	27	96	GE14SR	400	400	250
	14	G 3/8 A	8	22	38.5	18.5	12	36	24	27	74	GE14SR3/8	400	400	
	16	G 1/2 A	12	26	41.0	18.5	14	37	27	30	92	GE16SR	400	400	250
	16	G 3/8 A	8	22	38.5	18.0	12	36	27	30	83	GE16SR3/8	400	400	
	16	G 3/4 A	12	32	45.0	20.5	16	39	32	30	157	GE16SR3/4	400	400	
	20	G 3/4 A	16	32	47.0	20.5	16	42	32	36	151	GE20SR	400	400	250
	20	G 1/2 A	12	26	45.0	20.5	14	42	32	36	142	GE20SR1/2	400	400	
	20	G 1 A	16	39	51.0	22.5	18	44	41	36	273	GE20SR1	250	250	
	20	G 1 1/4 A	16	49	53.0	22.5	20	44	50	36	387	GE20SR11/4	160	160	
	25	G 1 A	20	39	53.0	23.0	18	47	41	46	267	GE25SR	250	250	160
	25	G 3/4 A	16	32	51.0	23.0	16	47	41	46	245	GE25SR3/4	250	250	
	25	G 1 1/4 A	20	49	55.0	23.0	20	47	50	46	422	GE25SR11/4	160	160	
	30	G 1 1/4 A	25	49	57.0	23.5	20	50	50	50	422	GE30SR	160	160	100
	30	G 1 A	20	39	55.0	23.5	18	50	46	50	337	GE30SR1	160	160	
	38	G 1 1/2 A	32	55	64.0	26.0	22	57	55	60	560	GE38SR	160	160	100
	38	G 1 1/4 A	25	49	62.0	26.0	20	57	55	60	578	GE38SR11/4	160	160	

Order code suffixes			
	Stainless Steel	Brass	Body Only
Suffix	71	MS	X
Example	GE16SR71	GE16SRMS	GE16SRX

GE-R(KEG) - Male stud connector

Male short BSPT taper thread (DIN 3852-2, type C) / EO 24° cone end



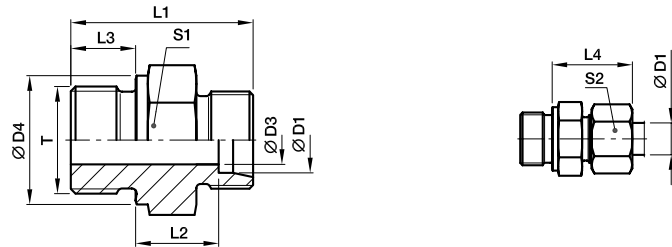
Series	Ø D1	T	D3	L1	L2	L3	L4	S1	S2	Weight g/1 piece	Order code	PN (bar)		
												CF	71	MS
LL	04	R 1/8 tap.	3.0	20	16.0	8	26	11*	10	8	GE04LLR	100	100	63
	06	R 1/8 tap.	4.5	20	14.5	8	26	11*	12	8	GE06LLR	100	100	63
	08	R 1/8 tap.	6.0	22	16.5	8	28	12	14	10	GE08LLR	100	100	63
	08	R 1/4 tap.	6.0	26	20.5	12	32	14	14	18	GE08LLR1/4	100	100	63
	10	R 1/4 tap.	8.0	26	20.5	12	32	14	17	15	GE10LLR	100		63
	12	R 1/4 tap.	8.0	26	20.0	12	32	17	19	18	GE12LLR	100		63
	12	R 3/8 tap.	10.0	26	20.0	12	32	17	19	23	GE12LLR3/8	100		63
L	06	R 1/8 tap.	4.0	22	15.0	8	30	12	14	11	GE06LR1/8KEG	315	315	
	06	R 1/4 tap.	4.0	27	20.0	12	35	17	14	24	GE06LR1/4KEG	315	315	200
	08	R 1/8 tap.	4.0	23	16.0	8	31	14	17	15	GE08LR1/8KEG	315	315	200
	08	R 1/4 tap.	6.0	27	20.0	12	35	17	17	22	GE08LR1/4KEG	315	315	
	10	R 1/4 tap.	7.0	28	21.0	12	36	17	19	24	GE10LR1/4KEG	315	315	
	12	R 1/4 tap.	7.0	29	22.0	12	37	19	22	53	GE12LR1/4KEG	315	315	200
	12	R 3/8 tap.	9.0	29	22.0	12	37	19	22	33	GE12LR3/8KEG	315	315	
	12	R 1/2 tap.	10.0	31	24.0	14	39	24	22	53	GE12LR1/2KEG	315	315	200
	15	R 3/8 tap.	9.0	30	23.0	12	38	24	27	49	GE15LR3/8KEG	315	315	200
	15	R 1/2 tap.	11.0	32	25.0	14	40	24	27	59	GE15LR1/2KEG	315	315	
	18	R 1/2 tap.	14.0	33	25.5	14	42	27	32	64	GE18LR1/2KEG	315	315	
	22	R 3/4 tap.	17.0	37	29.5	16	46	32	36	99	GE22LR3/4KEG	160	160	
	28	R 1 tap.	23.0	40	32.5	18	49	41	41	154	GE28LR1KEG	160	160	
	35	R 1 1/4 tap.	30.0	45	34.5	20	56	46	50	238	GE35LR11/4KEG	160	160	
	42	R 1 1/2 tap.	36.0	49	38.0	22	61	55	60	335	GE42LR11/2KEG	160	160	

*S1=SW12 in 1.4571

Order code suffixes			
	Stainless Steel	Brass	Body Only
Suffix	71	MS	X
Example	GE12LR1/2KEG71	GE12LR1/2KEGMS	GE12LR1/2KEGX

GE-M - Male stud connector

Male metric thread – metal sealing edge (ISO 9974) / EO 24° cone end

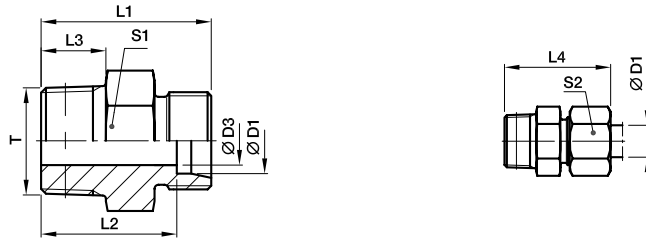


Series	Ø D1	T	D3	D4	L1	L2	L3	L4	S1	S2	Weight g/1 piece	Order code	PN (bar)		
													CF	71	MS
L	06	M 10×1.0	4	14	23.5	8.5	8	23	14	14	13	GE06LM	315	315	200
	08	M 12×1.5	6	17	29.0	10.0	12	25	17	17	22	GE08LM	315	315	200
	10	M 14×1.5	7	19	30.0	11.0	12	26	19	19	31	GE10LM	315	315	200
	10	M 10×1.0	4	14	25.5	10.5	8	25	17	19	20	GE10LM10X1	315	315	
	10	M 12×1.5	6	17	30.0	11.0	12	26	17	19	25	GE10LM12X1.5	315	315	
	10	M 16×1.5	8	21	31.5	12.0	12	27	22	19	41	GE10LM16X1.5	315	315	
	10	M 18×1.5	8	23	31.5	12.5	12	27	24	19	50	GE10LM18X1.5	315	315	
	10	M 22×1.5	8	27	35.0	14.0	14	29	27	19	72	GE10LM22X1.5	315	315	
	12	M 14×1.5	7	19	30.0	11.0	12	26	19	22	30	GE12LM14X1.5	315	315	
	12	M 16×1.5	9	21	31.5	12.5	12	27	22	22	40	GE12LM	315	315	
	12	M 18×1.5	10	23	31.5	12.5	12	27	24	22	47	GE12LM18X1.5	315	315	
	12	M 22×1.5	10	27	35.0	14.0	14	29	27	22	76	GE12LM22X1.5	315	315	
	15	M 16×1.5	9	21	32.0	13.0	12	28	24	27	50	GE15LM16X1.5	250	250	
	15	M 18×1.5	11	23	32.5	13.5	12	29	24	27	52	GE15LM	250	250	160
	15	M 22×1.5	12	27	36.0	15.0	14	30	27	27	77	GE15LM22X1.5	250	250	
	18	M 18×1.5	11	23	33.5	14.0	12	30	27	32	68	GE18LM18X1.5	250	250	
	18	M 22×1.5	14	27	36.0	14.5	14	31	27	32	77	GE18LM	250	250	160
	22	M 22×1.5	14	27	38.0	16.5	14	33	32	36	92	GE22LM22X1.5	160	160	
	22	M 26×1.5	18	31	40.0	16.5	16	33	32	36	102	GE22LM	160	160	100
	28	M 33×2.0	23	39	43.0	17.5	18	34	41	41	168	GE28LM	160	160	100
35	M 42×2.0	30	49	48.0	17.5	20	39	50	50	280	GE35LM	160	160	100	
42	M 48×2.0	36	55	52.0	19.0	22	42	55	60	354	GE42LM	160	160	100	
S	06	M 12×1.5	4	17	32.0	13.0	12	28	17	17	30	GE06SM	400	400	250
	06	M 14×1.5	4	19	34.0	15.0	12	30	19	17	42	GE06SM14X1.5	400	400	
	08	M 14×1.5	5	19	34.0	15.0	12	30	19	19	43	GE08SM	400	400	250
	10	M 16×1.5	7	21	34.5	15.0	12	31	22	22	54	GE10SM	400	400	250
	12	M 18×1.5	8	23	36.5	17.0	12	33	24	24	72	GE12SM	400	400	250
	12	M 14×1.5	5	19	36.0	16.5	12	33	22	24	60	GE12SM14X1.5	400	400	
	12	M 22×1.5	8	27	39.0	17.5	14	34	27	24	103	GE12SM22X1.5	400	400	
	14	M 20×1.5	10	25	41.0	19.0	14	37	27	27	95	GE14SM	400	400	250
	16	M 18×1.5	8	23	38.5	18.0	12	36	27	30	88	GE16SM18X1.5	400	400	
	16	M 22×1.5	12	27	41.0	18.5	14	37	27	30	97	GE16SM	400	400	250
	20	M 27×2.0	16	32	47.0	20.5	16	42	32	36	155	GE20SM	400	400	250
	25	M 33×2.0	20	39	53.0	23.0	18	47	41	46	268	GE25SM	250	250	160
	30	M 42×2.0	25	49	57.0	23.5	20	50	50	50	421	GE30SM	160	160	100
38	M 48×2.0	32	55	64.0	26.0	22	57	55	60	568	GE38SM	160	160	100	

Order code suffixes			
	Stainless Steel	Brass	Body Only
Suffix	71	MS	X
Example	GE16SM71	GE16SMMS	GE16SMX

GE-M(KEG) - Male stud connector

Male short metric taper thread (DIN 3852-1, type C) / EO 24° cone end



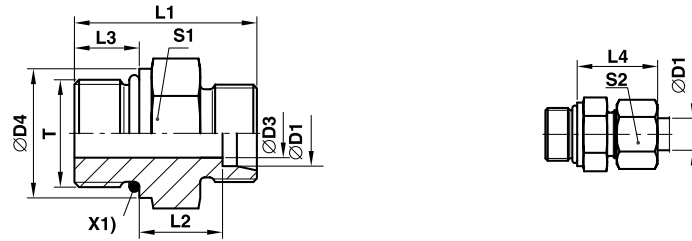
Series	∅ D1	T	D3	L1	L2	L3	L4	S1	S2	Weight g/1 piece	Order code	PN (bar)		
												CF	71	MS
LL	04	M 06×1.0 tap.	2.0	20	16.0	8	26	9*	10	5	GE04LLM6X1KEG	100		
	04	M 08×1.0 tap.	3.0	20	16.0	8	26	10*	10	7	GE04LLM	100	100	63
	06	M 10×1.0 tap.	4.5	20	14.5	8	26	11*	12	9	GE06LLM	100	100	63
	06	M 08×1.0 tap.	3.5	20	14.5	8	26	11*	12	9	GE06LLM8X1KEG	100		
	08	M 10×1.0 tap.	6.0	22	16.5	8	28	12*	14	10	GE08LLM	100	100	63

*S1=SW12 in 1.4571

Order code suffixes			
	Stainless Steel	Brass	Body Only
Suffix	71	MS	X
Example	GE06LLM71	GE06LLMMS	GE06LLMX

GE-UNF/UN - Male stud connector

Male UNF/UN thread – O-ring (ISO 11926) / EO 24° cone end



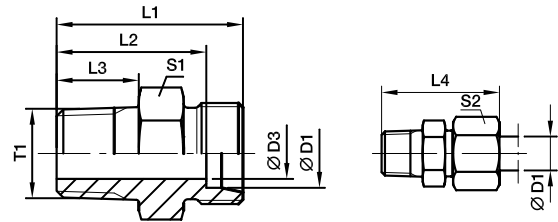
X1) O-ring OR

Series	Ø D1	T	D3	D4	L1	L2	L3	L4	S1	S2	Weight g/1 piece	Order code	PN (bar)	
													CF	71
L	08	7/16-20UNF	5.0	–	26	10.0	9.0	25	17	17	21	GE08L7/16UNF	315	315
	10	7/16-20UNF	5.0	–	27	11.0	9.0	26	17	19	23	GE10L7/16UNF	315	315
	12	9/16-18UNF	7.0	–	28	11.0	10.0	26	19	22	32	GE12L9/16UNF	315	315
	12	3/4-16UNF	10.0	–	31	13.0	11.0	28	24	22	52	GE12L3/4UNF	315	315
	12	7/8-14UNF	10.0	–	34	14.3	12.7	29	27	22	77	GE12L7/8UNF	315	315
	15	3/4-16UNF	11.0	–	32	14.0	11.0	29	24	27	57	GE15L3/4UNF	315	315
	15	7/8-14UNF	12.0	–	35	15.3	12.7	30	27	27	81	GE15L7/8UNF	315	315
	18	3/4-16UNF	11.0	23.9	33	14.5	11.0	31	27	32	68	GE18L3/4UNF	315	315
	18	7/8-14UNF	14.0	–	35	14.8	12.7	31	27	32	72	GE18L7/8UNF	315	315
	22	7/8-14UNF	14.0	26.9	37	16.8	12.7	33	32	36	94	GE22L7/8UNF	160	160
	22	1 1/16-12UN	18.0	–	39	16.5	15.0	33	32	36	103	GE22L11/16UN	160	160
	22	1 5/16-12UN	19.0	–	40	17.5	15.0	34	41	36	163	GE22L15/16UN	160	160
	28	1 1/16-12UN	18.0	33.3	40	17.5	15.0	34	41	41	152	GE28L11/16UN	160	160
	28	1 5/16-12UN	23.0	–	40	17.5	15.0	34	41	41	163	GE28L15/16UN	160	160
	35	1 5/16-12UN	23.0	39.6	43	17.5	15.0	39	46	50	222	GE35L15/16UN	160	160
	35	1 5/8-12UN	29.0	–	43	17.5	15.0	39	50	50	257	GE35L15/8UN	160	160
42	1 5/8-12UN	29.0	47.7	45	19.0	15.0	42	55	60	339	GE42L15/8UN	160	160	
S	08	7/16-20UNF	4.0	–	31	13.0	11.0	30	17	19	33	GE08S7/16UNF	630	630
	10	9/16-18UNF	6.0	–	32	12.5	12.0	31	19	22	42	GE10S9/16UNF	630	630
	12	9/16-18UNF	6.0	19.0	32	12.5	12.0	31	22	24	50	GE12S9/16UNF	630	630
	12	3/4-16UNF	8.0	–	36	14.5	14.0	34	24	24	73	GE12S3/4UNF	630	630
	16	3/4-16UNF	10.0	–	35	12.5	14.0	34	24	30	90	GE16S3/4UNF	400	400
	16	7/8-14UNF	12.0	–	40	15.5	16.0	37	27	30	95	GE16S7/8UNF	400	400
	20	3/4-16UNF	10.0	23.9	42	17.5	14.0	42	32	36	132	GE20S3/4UNF	400	400
	20	7/8-14UNF	12.0	26.9	44	17.5	16.0	42	32	36	141	GE20S7/8UNF	400	400
	20	1 1/16-12UN	16.0	–	46	17.0	18.5	42	32	36	163	GE20S11/16UN	400	400
	25	1 1/16-12UN	16.0	33.3	50	19.5	18.5	47	36	46	206	GE25S11/16UN	400	400
	25	1 5/16-12UN	20.0	–	50	19.5	18.5	47	41	46	258	GE25S15/16UN	400	400
	30	1 5/16-12UN	20.0	39.6	52	20.0	18.5	50	46	50	327	GE30S15/16UN	400	400
	30	1 5/8-12UN	24.0	–	52	20.0	18.5	50	50	50	422	GE30S15/8UN	400	400
	38	1 5/8-12UN	24.0	47.7	57	22.5	18.5	57	55	60	554	GE38S15/8UN	315	315

Order code suffixes			
	Stainless Steel		Body Only
Suffix	71		OMD
Example	GE16S3/4UNF71		GE16S3/4UNFOMD

GE-NPT - Male stud connector

Male NPT thread (SAE J476) / EO 24° cone end



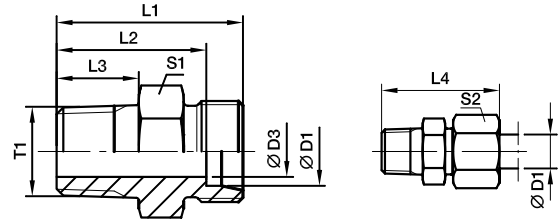
Series	Ø D1	T1	D3	L1	L2	L3	L4	S1	S2	Weight g/1 piece	Order code	PN (bar)		
												CF	71	MS
LL	04	1/8-27 NPT	3.0	22.0	18.0	10.0	28	11*	10	9	GE04LL1/8NPT	100	100	
	06	1/8-27 NPT	4.5	22.0	16.5	10.0	28	11*	12	9	GE06LL1/8NPT	100	100	63
	08	1/8-27 NPT	5.0	24.0	18.5	10.0	30	12	14	11	GE08LL1/8NPT	100	100	63
L	06	1/8-27 NPT	4.0	24.0	17.0	10.0	32	12	14	12	GE06L1/8NPT	315	315	200
	06	1/4-18 NPT	4.0	30.0	23.0	14.5	38	17	14	27	GE06L1/4NPT	315	315	200
	06	3/8-18 NPT	4.0	30.0	23.0	14.5	38	19	14	32	GE06L3/8NPT	315	315	
	06	1/2-14 NPT	4.0	36.0	29.0	19.5	44	22	14	53	GE06L1/2NPT	315	315	
	08	1/8-27 NPT	4.0	25.0	18.0	10.0	33	14	17	16	GE08L1/8NPT	315	315	
	08	1/4-18 NPT	6.0	30.0	23.0	14.5	38	17	17	25	GE08L1/4NPT	315	315	200
	08	3/8-18 NPT	6.0	30.0	23.0	14.5	38	19	17	34	GE08L3/8NPT	315	315	
	08	1/2-14 NPT	6.0	36.0	29.0	19.5	44	22	17	54	GE08L1/2NPT	315	315	
	10	1/8-27 NPT	4.0	25.0	18.0	10.0	33	17	19	19	GE10L1/8NPT	315	315	
	10	1/4-18 NPT	7.0	31.0	24.0	14.5	39	17	19	25	GE10L1/4NPT	315	315	200
	10	3/8-18 NPT	7.0	32.0	25.0	14.5	40	19	19	40	GE10L3/8NPT	315	315	
	10	1/2-14 NPT	8.0	37.0	30.0	19.5	45	22	19	54	GE10L1/2NPT	315	315	
	10	3/4-14 NPT	8.0	38.0	31.0	19.5	46	30	19	93	GE10L3/4NPT	315	315	
	12	1/8-27 NPT	4.0	26.0	19.0	10.0	34	19	22	52	GE12L1/8NPT	315	315	
	12	1/4-18 NPT	7.0	32.0	25.0	14.5	40	19	22	31	GE12L1/4NPT	315	315	200
	12	3/8-18 NPT	8.0	32.0	25.0	14.5	40	19	22	37	GE12L3/8NPT	315	315	200
	12	1/2-14 NPT	10.0	37.0	30.0	19.5	45	22	22	62	GE12L1/2NPT	315	315	200
	15	3/8-18 NPT	8.0	33.0	26.0	14.5	41	24	27	53	GE15L3/8NPT	315	315	
	15	1/2-14 NPT	12.0	38.0	31.0	19.5	46	24	27	63	GE15L1/2NPT	315	315	200
	15	3/4-14 NPT	12.0	39.0	32.0	19.5	47	30	27	112	GE15L3/4NPT	315	315	
	15	1-11.5 NPT	12.0	45.0	38.0	24.5	53	36	27	158	GE15L1NPT	315	315	
	18	3/8-18 NPT	8.0	34.0	26.5	14.5	43	27	32	69	GE18L3/8NPT	315	315	
	18	1/2-14 NPT	12.0	39.0	31.5	19.5	48	27	32	79	GE18L1/2NPT	315	315	200
	18	3/4-14 NPT	15.0	39.0	31.5	19.5	48	30	32	104	GE18L3/4NPT	315	315	
	18	1-11.5 NPT	15.0	45.0	37.5	24.5	54	36	32	159	GE18L1NPT	315	315	
	22	3/8-18 NPT	8.0	36.5	29.0	14.5	45	32	36	91	GE22L3/8NPT	160	160	
	22	1/2-14 NPT	12.0	41.0	33.5	19.5	50	32	36	96	GE22L1/2NPT	160	160	
	22	3/4-14 NPT	16.0	41.0	33.5	19.5	50	32	36	108	GE22L3/4NPT	160	160	100
	22	1-11.5 NPT	19.0	47.0	39.5	24.5	56	36	36	174	GE22L1NPT	160	160	
	28	3/4-14 NPT	16.0	42.0	34.5	19.5	51	41	41	157	GE28L3/4NPT	160	160	
	28	1-11.5 NPT	21.0	47.0	39.5	24.5	56	41	41	197	GE28L1NPT	160	160	100
	28	1 1/4-11.5 NPT	24.0	49.0	41.5	25.0	58	46	41	266	GE28L11/4NPT	160	160	
35	1-11.5 NPT	22.0	50.0	39.5	24.5	61	46	50	280	GE35L1NPT	160	160		
35	1 1/4-11.5 NPT	28.0	51.0	40.5	25.0	62	46	50	285	GE35L11/4NPT	160	160		
42	1 1/4-11.5 NPT	28.0	53.0	42.0	25.0	65	55	60	382	GE42L11/4NPT	160	160		
42	1 1/2-11.5 NPT	36.0	53.0	42.0	26.0	65	55	60	377	GE42L11/2NPT	160	160		

*S1=SW12 in 1.4571
continued on next page...

Order code suffixes			
	Stainless Steel	Brass	Body Only
Suffix	71	MS	X
Example	GE15L1/2NPT71	GE15L1/2NPTMS	GE15L1/2NPTX

GE-NPT - Male stud connector

Male NPT thread (SAE J476) / EO 24° cone end

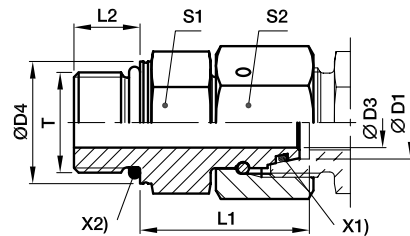


Series	Ø D1	T1	D3	L1	L2	L3	L4	S1	S2	Weight g/1 piece	Order code	PN (bar)		
												CF	71	MS
S ⁴⁾	06	1/8-27 NPT	4	28	21.0	10.0	36	14	17	21	GE06S1/8NPT	630	630	
	06	1/4-18 NPT	4	35	28.0	14.5	43	17	17	37	GE06S1/4NPT	630	630	400
	06	3/8-18 NPT	4	33	26.0	14.5	41	19	17	40	GE06S3/8NPT	630	630	
	06	1/2-14 NPT	4	42	35.0	19.5	50	22	17	71	GE06S1/2NPT	630	630	
	08	1/4-18 NPT	5	35	28.0	14.5	43	17	19	38	GE08S1/4NPT	630	630	400
	08	3/8-18 NPT	5	35	28.0	14.5	43	19	19	46	GE08S3/8NPT	630	630	
	08	1/2-14 NPT	5	42	35.0	19.5	50	22	19	73	GE08S1/2NPT	630	630	400
	10	1/4-18 NPT	5	35	27.5	14.5	44	19	22	45	GE10S1/4NPT	630	630	
	10	3/8-18 NPT	7	35	27.5	14.5	44	19	22	49	GE10S3/8NPT	630	630	400
	10	1/2-14 NPT	7	42	34.5	19.5	51	22	22	73	GE10S1/2NPT	630	630	400
	10	3/4-14 NPT	7	44	36.5	19.5	53	30	22	125	GE10S3/4NPT	630	630	
	12	1/4-18 NPT	5	37	29.5	14.5	46	22	24	57	GE12S1/4NPT	630	630	
	12	3/8-18 NPT	8	37	29.5	14.5	46	22	24	62	GE12S3/8NPT	630	630	400
	12	1/2-14 NPT	8	42	34.5	19.5	51	22	24	83	GE12S1/2NPT	630	630	400
	12	3/4-14 NPT	8	44	36.5	19.5	53	30	24	126	GE12S3/4NPT	630	630	
	14	3/8-18 NPT	8	39	31.0	14.5	49	24	27	77	GE14S3/8NPT	630	630	
	14	1/2-14 NPT	10	44	36.0	19.5	54	24	27	89	GE14S1/2NPT	630	630	400
	14	3/4-14 NPT	10	46	38.0	19.5	56	30	27	130	GE14S3/4NPT	630	630	
	14	1-11.5 NPT	10	51	43.0	24.5	61	36	27	180	GE14S1NPT	630	630	
	16	3/8-18 NPT	8	39	30.5	14.5	49	27	30	84	GE16S3/8NPT	400	400	
	16	1/2-14 NPT	12	48	39.5	19.5	58	32	30	97	GE16S1/2NPT	400	400	250
	16	3/4-14 NPT	12	46	37.5	19.5	56	30	30	130	GE16S3/4NPT	400	400	
	16	1-11.5 NPT	12	51	42.5	24.5	61	36	30	178	GE16S1NPT	400	400	
	20	1/2-14 NPT	12	48	37.5	19.5	59	32	36	144	GE20S1/2NPT	400	400	
	20	3/4-14 NPT	16	48	37.5	19.5	59	32	36	149	GE20S3/4NPT	400	400	250
	20	1-11.5 NPT	16	55	44.5	24.5	66	36	36	243	GE20S1NPT	400	400	
	25	3/4-14 NPT	16	52	40.0	19.5	64	41	46	240	GE25S3/4NPT	400	400	
	25	1-11.5 NPT	20	57	45.0	24.5	69	41	46	278	GE25S1NPT	400	400	
	25	1 1/4-11.5 NPT	20	58	46.0	25.0	70	46	46	396	GE25S11/4NPT	400	400	
	25	1 1/2-11.5 NPT	20	61	49.0	26.0	73	50	46	469	GE25S11/2NPT	400	400	
	30	3/4-14 NPT	16	54	40.5	19.5	67	46	50	307	GE30S3/4NPT	400	400	
	30	1-11.5 NPT	20	59	45.5	24.5	72	46	50	343	GE30S1NPT	400	400	100
	30	1 1/4-11.5 NPT	25	60	46.5	25.0	73	46	50	397	GE30S11/4NPT	400	400	
	30	1 1/2-11.5 NPT	25	60	46.5	26.0	73	50	50	440	GE30S11/2NPT	400	400	
38	1-11.5 NPT	22	64	48.0	24.5	79	55	60	510	GE38S1NPT	315	315		
38	1 1/4-11.5 NPT	25	65	49.0	25.0	80	55	60	535	GE38S11/4NPT	315	315		
38	1 1/2-11.5 NPT	32	65	49.0	26.0	80	55	60	571	GE38S11/2NPT	315	315		

Order code suffixes			
	Stainless Steel	Brass	Body Only
Suffix	71	MS	X
Example	GE15L1/2NPT71	GE15L1/2NPTMS	GE15L1/2NPTX

EGEO - Swivel connector

Male metric thread – O-ring (ISO 6149) / EO 24° DKO swivel

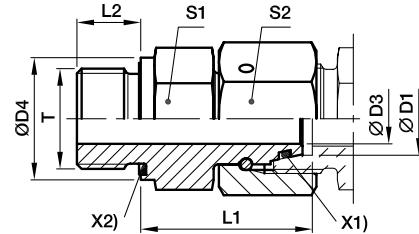


X1) O-ring OR
X2) O-ring OR

Series	Ø D1	T	D3	D4	L1	L2	S1	S2	Weight g/1 piece	Order code	PN (bar) CF
L	06	M 10×1.0	2.5	13.8	24.5	8.5	14	14	29	EGEO06LM	500
	08	M 12×1.5	4.0	16.8	26.5	11.0	17	17	43	EGEO08LM	500
	10	M 14×1.5	6.0	18.8	27.5	11.0	19	19	57	EGEO10LM	500
	12	M 16×1.5	8.0	21.8	30.5	11.5	22	22	85	EGEO12LM	400
	15	M 18×1.5	10.0	23.8	31.5	12.5	24	27	115	EGEO15LM	400
	18	M 22×1.5	13.0	26.8	31.5	13.0	27	32	152	EGEO18LM	400
	22	M 27×2.0	17.0	31.8	32.5	16.0	32	36	207	EGEO22LM27X2	250
	28	M 33×2.0	22.0	40.8	35.0	16.0	41	41	294	EGEO28LM	250
	35	M 42×2.0	28.0	49.8	42.5	16.0	50	50	516	EGEO35LM	250
	42	M 48×2.0	34.0	54.8	46.5	17.5	55	60	718	EGEO42LM	250
S	06	M 12×1.5	2.5	16.8	27.0	11.0	17	17	49	EGEO06SM	800
	08	M 14×1.5	4.0	18.8	29.5	11.0	19	19	69	EGEO08SM	800
	10	M 16×1.5	6.0	21.8	32.0	12.5	22	22	96	EGEO10SM	800
	12	M 18×1.5	8.0	23.8	34.0	14.0	24	24	116	EGEO12SM	630
	16	M 22×1.5	11.0	26.8	37.0	15.0	27	30	179	EGEO16SM	630
	20	M 27×2.0	14.0	31.8	43.0	18.5	32	36	280	EGEO20SM	420
	25	M 33×2.0	18.0	40.8	48.0	18.5	41	46	502	EGEO25SM	420
	30	M 42×2.0	23.0	49.8	51.0	19.0	50	50	697	EGEO30SM	420
		38	M 48×2.0	30.0	54.8	60.0	21.5	55	60	965	EGEO38SM

EGE-M-ED - Swivel connector

Male metric thread – ED-seal (ISO 9974) / EO 24° DKO swivel



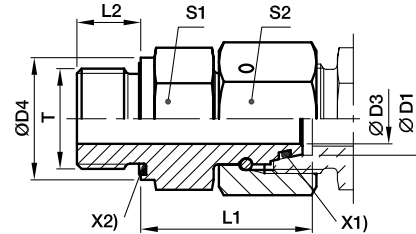
X1) O-ring OR
X2) Eolastic-sealing ED

Series	Ø D1	T	D3	D4	L1	L2	S1	S2	Weight g/1 piece	Order code	PN (bar)	
											CF	71
L	06	M 10×1.0	2.5	14	24.5	8	14	14	27	EGE06LMED	500	315
	08	M 12×1.5	4.0	17	26.5	12	17	17	45	EGE08LMED	500	315
	10	M 14×1.5	6.0	19	27.5	12	19	19	57	EGE10LMED	500	315
	12	M 16×1.5	8.0	22	30.5	12	22	22	82	EGE12LMED	400	315
	12	M 22×1.5	8.0	27	27.0	14	27	22	92	EGE12LM22X1.5ED	400	315
	15	M 18×1.5	10.0	24	31.5	12	24	27	113	EGE15LMED	400	315
	15	M 22×1.5	10.0	27	32.0	14	27	27	142	EGE15LM22X1.5ED	400	315
	18	M 22×1.5	13.0	27	31.5	14	27	32	148	EGE18LMED	400	315
	22	M 26×1.5	17.0	32	32.5	16	32	36	203	EGE22LMED	250	160
	28	M 33×2.0	22.0	40	35.0	18	41	41	289	EGE28LMED	250	160
	35	M 42×2.0	28.0	50	42.5	20	50	50	511	EGE35LMED	250	160
42	M 48×2.0	34.0	55	46.5	22	55	60	711	EGE42LMED	250	160	
S	06	M 12×1.5	2.5	17	27.0	12	17	17	47	EGE06SMED	800	630
	08	M 14×1.5	4.0	19	29.5	12	19	19	65	EGE08SMED	800	630
	10	M 16×1.5	6.0	22	32.0	12	22	22	91	EGE10SMED	800	630
	12	M 18×1.5	8.0	24	34.0	12	24	24	112	EGE12SMED	630	630
	14	M 20×1.5	9.0	26	36.5	14	27	27	153	EGE14SMED	630	630
	16	M 22×1.5	11.0	27	37.0	14	27	30	174	EGE16SMED	630	400
	20	M 27×2.0	14.0	32	43.0	16	32	36	274	EGE20SMED	420	400
	25	M 33×2.0	18.0	40	48.0	18	41	46	497	EGE25SMED	420	400
	30	M 42×2.0	23.0	50	51.0	20	50	50	691	EGE30SMED	420	400
	38	M 48×2.0	30.0	55	60.0	22	55	60	957	EGE38SMED	420	315

Order code suffixes			
	Stainless Steel		
Suffix	71		
Example	EGE15LMED71		

EGE-R-ED - Swivel connector

Male BSPP thread – ED-seal (ISO 1179) / EO 24° DKO swivel

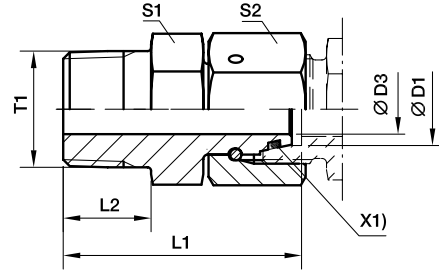

 X1) O-ring OR
 X2) Eolastic-sealing ED

Series	Ø D1	T	D3	D4	L1	L2	S1	S2	Weight g/1 piece	Order code	PN (bar)	
											CF	71
L	06	G 1/8 A	2.5	14	24.5	8	14	14	27	EGE06LRED	500	315
	08	G 1/4 A	4.0	19	29.5	12	19	17	28	EGE08LRED	500	315
	10	G 1/4 A	6.0	19	27.5	12	19	19	54	EGE10LRED	500	315
	10	G 3/8 A	6.0	22	29.0	12	22	19	70	EGE10LR3/8ED	400	
	12	G 3/8 A	8.0	22	34.0	12	22	22	95	EGE12LRED	400	315
	12	G 1/4 A	6.0	19	27.5	12	19	22	65	EGE12LR1/4ED	400	
	12	G 1/2 A	8.0	27	29.5	14	27	22	114	EGE12LR1/2ED	400	
	15	G 1/2 A	10.0	27	32.0	14	27	27	137	EGE15LRED	400	315
	18	G 1/2 A	13.0	27	31.5	14	27	32	143	EGE18LRED	400	315
	18	G 3/4 A	13.0	32	29.5	16	32	32	182	EGE18LR3/4ED	250	
	22	G 3/4 A	17.0	32	32.5	16	32	36	200	EGE22LRED	250	160
	28	G 1 A	22.0	40	35.0	18	41	41	289	EGE28LRED	250	160
35	G 1 1/4 A	28.0	50	42.5	20	50	50	500	EGE35LRED	250	160	
42	G 1 1/2 A	34.0	55	46.5	22	55	60	718	EGE42LRED	250	160	
S	06	G 1/4 A	2.5	19	27.0	12	19	17	53	EGE06SRED	800	630
	08	G 1/4 A	4.0	19	29.5	12	19	19	64	EGE08SRED	800	630
	10	G 3/8 A	6.0	22	32.0	12	22	22	93	EGE10SRED	800	630
	12	G 3/8 A	8.0	22	34.0	12	22	24	100	EGE12SRED	630	630
	12	G 1/4 A	5.0	19	31.5	12	19	24	140	EGE12SR1/4ED	630	
	12	G 1/2 A	8.0	27	35.0	14	27	24	140	EGE12SR1/2ED	630	630
	14	G 1/2 A	9.0	27	36.5	14	27	27	157	EGE14SRED	630	630
	16	G 1/2 A	11.0	27	37.0	14	27	30	170	EGE16SRED	630	400
	20	G 3/4 A	14.0	32	43.0	16	32	36	273	EGE20SRED	420	400
	25	G 1 A	18.0	40	48.0	18	41	46	493	EGE25SRED	420	400
	30	G 1 1/4 A	23.0	50	51.0	20	50	50	691	EGE30SRED	420	
	38	G 1 1/2 A	30.0	55	60.0	22	55	60	934	EGE38SRED	420	315

Order code suffixes		
	Stainless Steel	
Suffix	71	
Example	EGE15LRED71	

EGE-NPT - Swivel connector

Male NPT thread (SAE J476) / EO 24° DKO swivel

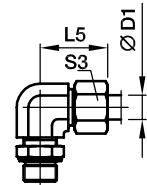
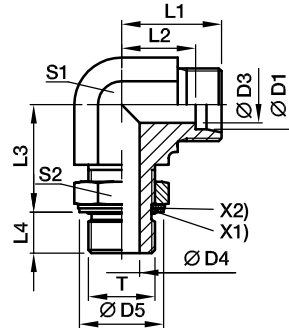


X1) O-ring OR

Series	∅ D1	T1	D3	L1	L2	S1	S2	Weight g/1 piece	Order code	PN (bar) CF
L	06	1/8-27 NPT	2.5	31.5	10.0	11	14	23	EGE06L1/8NPT	315
	08	1/4-18 NPT	4.0	37.5	14.5	14	17	41	EGE08L1/4NPT	315
	10	1/4-18 NPT	6.0	38.0	14.5	14	19	44	EGE10L1/4NPT	315
	12	3/8-18 NPT	8.0	40.0	14.5	19	22	69	EGE12L3/8NPT	315
	15	1/2-14 NPT	10.0	49.5	19.5	22	27	127	EGE15L1/2NPT	315
	18	1/2-14 NPT	12.0	49.0	19.5	24	32	142	EGE18L1/2NPT	315
	22	3/4-14 NPT	16.0	52.0	19.5	27	36	200	EGE22L3/4NPT	160
	28	1-11.5 NPT	22.0	61.0	24.5	36	41	306	EGE28L1NPT	160
	35	1 1/4-11.5 NPT	28.0	65.5	25.0	46	50	486	EGE35L11/4NPT	160
42	1 1/2-11.5 NPT	34.0	68.5	26.0	50	60	662	EGE42L11/2NPT	160	
S	06	1/4-18 NPT	2.5	37.5	14.5	14	17	42	EGE06S1/4NPT	630
	08	1/4-18 NPT	4.0	38.0	14.5	14	19	47	EGE08S1/4NPT	630
	10	3/8-18 NPT	6.0	40.5	14.5	19	22	75	EGE10S3/8NPT	630
	12	3/8-18 NPT	8.0	42.0	14.5	19	24	81	EGE12S3/8NPT	630
	14	1/2-14 NPT	9.0	50.5	19.5	22	27	131	EGE14S1/2NPT	630
	16	1/2-14 NPT	11.0	51.0	19.5	22	30	145	EGE16S1/2NPT	400
	20	3/4-14 NPT	14.0	54.0	19.5	27	36	221	EGE20S3/4NPT	400
	25	1-11.5 NPT	18.0	63.5	24.5	36	46	422	EGE25S1NPT	400
	30	1 1/4-11.5 NPT	23.0	70.5	25.0	46	50	628	EGE30S11/4NPT	400
38	1 1/2-11.5 NPT	30.0	73.5	26.0	50	60	770	EGE38S11/2NPT	315	

WEE-R - Adjustable locknut elbow

EO 24° cone end / Adjustable BSPP thread – O-ring + retaining ring (ISO 1179)



X1) O-ring OR
X2) retaining ring

Series	Ø D1	T	D3	D4	D5 ⁵⁾	D5 ⁶⁾	L1	L2	L3	L4	L5	S1	S2	S3	Weight g/1 piece	Order code	PN (bar)	
																	CF	71
LL	04	G 1/8 A	3.0	4.5	15		15	11.3	20	7.1	21	11	14	10	27	WEE04LLR	100	
	06	G 1/8 A	4.5	4.5	15		15	11.3	20	7.1	21	11	14	12	27	WEE06LLR	100	
L	06	G 1/8 A	4.0	4.5	15	15.0	21	14.0	19	7.0	29	14	14	14	40	WEE06LR	315	315
	08	G 1/4 A	6.0	7.5	20	19.5	23	16.0	23	9.0	31	14	19	17	59	WEE08LR	315	315
	10	G 1/4 A	8.0	7.5	20	19.5	24	17.0	25	9.0	32	19	19	19	82	WEE10LR	315	315
	12	G 3/8 A	10.0	10.0	23	23.5	26	19.0	28	9.0	34	19	22	22	96	WEE12LR	250	250
	15	G 1/2 A	12.0	12.5	28	28.5	28	21.0	30	13.0	36	22	27	27	149	WEE15LR	250	250
	18	G 1/2 A	15.0	12.5	28	28.5	31	24.0	36	13.0	40	27	27	32	221	WEE18LR	250	250
	22	G 3/4 A	19.0	15.5	33	34.5	35	28.0	36	13.0	44	30	36	36	310	WEE22LR	160	160
	28	G 1 A	24.0	21.5	41	43.5	38	31.0	44	15.0	47	36	41	41	455	WEE28LR	160	160
	35	G 1 1/4 A	30.0	27.5	51	52.5	48	38.0	50	15.0	59	50	50	50	1043	WEE35LR	160	160
42	G 1 1/2 A	36.0	33.0	56	60.0	49	38.0	52	15.0	61	50	55	60	994	WEE42LR	160	160	
S	06	G 1/4 A	4.0	7.5	20	19.5	22	15.0	23	9.0	30	14	19	17	56	WEE06SR	315	315
	08	G 1/4 A	5.0	7.5	20	19.5	24	17.0	27	9.0	32	19	19	19	88	WEE08SR	315	315
	10	G 3/8 A	7.0	10.0	23	23.5	25	18.0	29	9.0	34	19	22	22	98	WEE10SR	250	250
	12	G 3/8 A	8.0	10.0	23	23.5	29	22.0	29	9.0	38	22	22	24	128	WEE12SR	250	250
	16	G 1/2 A	12.0	12.5	28	28.5	33	25.0	36	13.0	43	27	27	30	234	WEE16SR	250	250
	20	G 3/4 A	16.0	15.5	33	34.5	38	28.0	39	12.0	49	30	36	36	344	WEE20SR	250	250
	25	G 1 A	20.0	21.5	41	43.5	42	30.0	44	14.0	54	36	41	46	533	WEE25SR	250	250
30	G 1 1/4 A	25.0	27.5	51	52.5	49	36.0	49	15.0	62	50	50	50	1085	WEE30SR	160	160	
38	G 1 1/2 A	32.0	33.0	56	60.0	50	34.0	55	15.0	65	50	55	60	1116	WEE38SR	160	160	

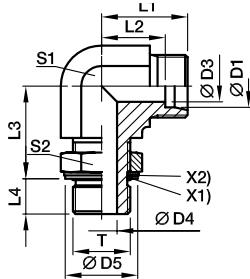
⁵⁾ Steel; ⁶⁾ Stainless Steel

Order code suffixes			
	Stainless Steel		Body Only
Suffix	71		OMD
Example	WEE15LRB71		WEE15LROMD

Adjustable locknut elbow, branch tee, run tee or 45° elbow

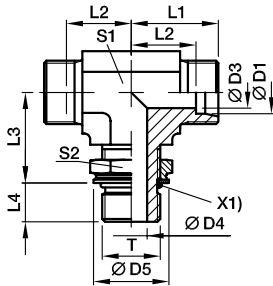
On customer request!

WEE Adjustable locknut elbow EO 24° cone end/Adjustable thread



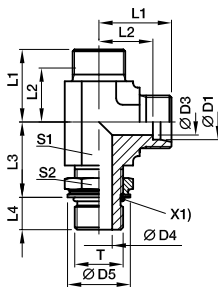
T	Order code
metric thread – O-ring + retaining ring	WEE...M
metric thread – O-ring (ISO 6149)	WEE...MOR
UN/UNF thread – O-ring (ISO 11926)	WEE...UNF

TEE Adjustable locknut branch tee EO 24° cone end/Adjustable thread



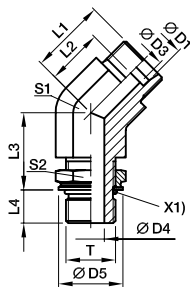
T	Order code
metric thread – O-ring + retaining ring	TEE...M
metric thread – O-ring (ISO 6149)	TEE...MOR
UN/UNF thread – O-ring (ISO 11926)	TEE...UNF
BSPP thread – O-ring + retaining ring (ISO 1179)	TEE...R

LEE Adjustable locknut run tee EO 24° cone end/Adjustable thread



T	Order code
metric thread – O-ring + retaining ring	LEE...M
metric thread – O-ring (ISO 6149)	LEE...MOR
UN/UNF thread – O-ring (ISO 11926)	LEE...UNF
BSPP thread – O-ring + retaining ring (ISO 1179)	LEE...R

VEE Adjustable locknut 45° elbow EO 24° cone end/Adjustable thread



T	Order code
metric thread – O-ring + retaining ring	VEE...M
metric thread – O-ring (ISO 6149)	VEE...MOR
UN/UNF thread – O-ring (ISO 11926)	VEE...UNF
BSPP thread – O-ring + retaining ring (ISO 1179)	VEE...R

DIN fittings

Rotary fittings

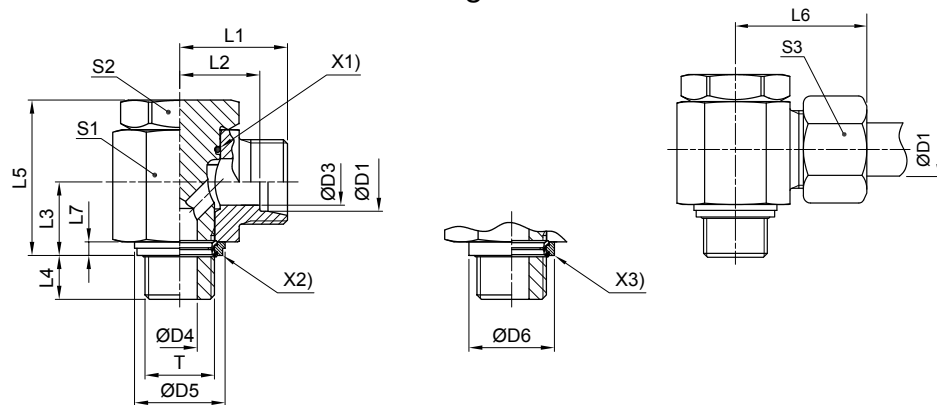
Valves

Weld fittings

Test points

WH-M-KDS - High pressure banjo elbow

EO 24° cone end / Male metric thread with soft seal ring



X1) O-ring OR
X2) Sealing ring KDS
X3) Sealing ring KD

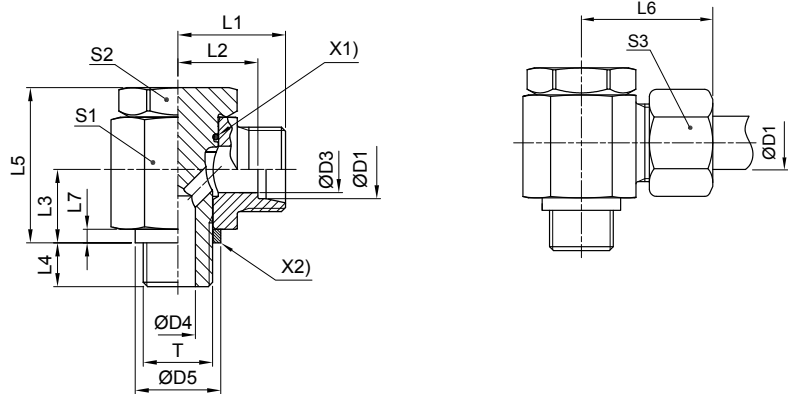
Series	Ø D1	T	D3	D4	D5 KDS	D6 KD	L1	L2	L3	L4	L5	L6	L7	S1	S2	S3	Weight g/1 piece	Order code	PN (bar)	
																			CF	71
L	06	M 10×1.0	4	4.5	14.9	17.0	19.0	12.0	10.5	8	24.0	27	2.5	17	17	14	54	WH06LMKDS	315	315
	08	M 12×1.5	6	6.0	17.0	22.0	21.5	14.5	14.0	12	30.0	29	3.0	22	19	17	97	WH08LMKDS	315	315
	10	M 14×1.5	8	6.0	18.9	22.5	22.5	15.5	14.0	12	30.0	30	3.0	22	19	19	104	WH10LMKDS	315	315
	12	M 16×1.5	10	7.5	21.9	27.0	25.0	18.0	16.5	12	36.0	33	3.0	27*	24	22	180	WH12LMKDS	315	315
	15	M 18×1.5	11	9.0	23.9	29.0	27.5	21.5	18.5	12	39.5	37	3.0	30	30	27	244	WH15LMKDS	315	315
	18	M 22×1.5	15	12.0	26.9	32.0	28.5	21.0	21.5	14	45.0	37	4.5	32	30	32	327	WH18LMKDS	315	315
	22	M 26×1.5	19	17.0	31.9	41.0	35.0	27.5	24.0	16	53.0	44	3.5	41	36	36	573	WH22LMKDS	160	160
	28	M 33×2.0	24	21.0	39.9	46.0	39.5	32.0	30.5	18	66.0	49	3.5	50	46	41	1017	WH28LMKDS	160	160
	35	M 42×2.0	30	27.0	49.9	57.0	46.5	36.0	35.5	20	76.0	58	3.5	60	55	50	1512	WH35LMKDS	160	160
42	M 48×2.0	36	34.0	55.9	64.0	51.5	40.5	40.5	22	87.0	63	3.5	70	60	60	2217	WH42LMKDS	160	160	
S	06	M 12×1.5	4	6.0	17.0	22.0	23.5	16.5	14.0	12	30.0	31	3.0	22	19	17	104	WH06SMKDS	400	400
	08	M 14×1.5	5	6.0	18.9	22.5	23.5	16.5	14.0	12	30.0	31	3.0	22	19	19	110	WH08SMKDS	400	400
	10	M 16×1.5	7	7.5	21.9	27.0	26.0	18.5	16.5	12	36.0	35	3.0	27	24	22	186	WH10SMKDS	400	400
	12	M 18×1.5	8	9.0	23.9	29.0	27.5	20.0	18.5	12	39.5	36	3.0	27*	27	24	246	WH12SMKDS	400	400
	14	M 20×1.5	10	10.0		32.0	30.5	22.5	20.0	14	43.5	40	3.0	32	30	27	322	WH14SMKD		400
	16	M 22×1.5	12	12.0	26.9	32.0	30.5	22.0	21.5	14	45.0	40	4.5	32	30	30	327	WH16SMKDS	315	315
	20	M 27×2.0	16	16.0	32.9	41.0	37.0	26.5	24.0	16	53.0	48	3.5	41	36	36	598	WH20SMKDS	315	315
	25	M 33×2.0	20	21.0	39.9	46.0	43.5	31.5	30.5	18	66.0	56	3.5	50	46	46	1055	WH25SMKDS	250	250
	30	M 42×2.0	25	27.0	49.9	57.0	50.5	37.0	35.5	20	76.0	64	3.5	60	55	50	1572	WH30SMKDS	160	160
38	M 48×2.0	32	34.0	55.9	64.0	57.5	41.5	40.5	22	87.0	72	3.5	70	60	60	2317	WH38SMKDS	160	160	

*S1=SW12 in 1.4571

Order code suffixes			
	Stainless Steel		Body Only
Suffix	71		OMD
Example	WH15LMKD71		WH15LMKDSOMD

WH-M - High pressure banjo elbow

EO 24° cone end / Male metric thread with metal sealing ring



X1) O-ring OR
X2) Sealing ring DKA

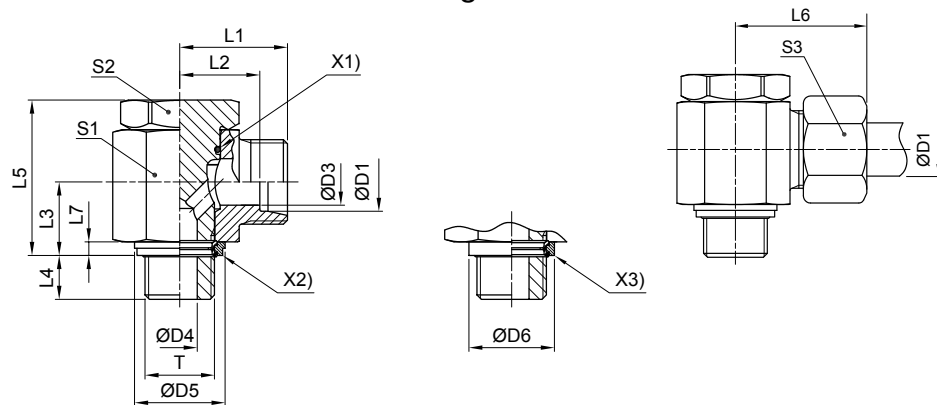
Series	Ø D1	T	D3	D4	D5	L1	L2	L3	L4	L5	L6	L7	S1	S2	S3	Weight g/1 piece	Order code	PN (bar)	
																		CF	71
L	06	M 10×1.0	4	4.5	14	19.0	12.0	10.5	8	24.0	27	2.5	17	17	14	54	WH06LM	250	250
	08	M 12×1.5	6	6.0	17	21.5	14.5	14.0	12	30.0	29	3.0	22	19	17	97	WH08LM	250	250
	10	M 14×1.5	8	6.0	19	22.5	15.5	14.0	12	30.0	30	3.0	22	19	19	104	WH10LM	250	250
	12	M 16×1.5	10	7.5	21	25.0	18.0	16.5	12	36.0	33	3.0	27	24	22	180	WH12LM	250	250
	15	M 18×1.5	11	9.0	23	27.5	21.5	18.5	12	39.5	37	3.0	30	27	27	243	WH15LM	250	250
	18	M 22×1.5	15	12.0	27	28.5	21.0	21.5	14	45.0	37	4.5	32	30	32	326	WH18LM	250	250
	22	M 26×1.5	19	17.0	31	35.0	27.5	24.0	16	53.0	44	3.5	41	36	36	574	WH22LM	160	160
	28	M 33×2.0	24	21.0	39	39.5	32.0	30.5	18	66.0	49	3.5	50	46	41	1016	WH28LM	160	160
	35	M 42×2.0	30	27.0	49	46.5	36.0	35.5	20	76.0	58	3.5	60	55	50	1512	WH35LM	160	160
42	M 48×2.0	36	34.0	55	51.5	40.5	40.5	22	87.0	63	3.5	70	60	60	2216	WH42LM	160	160	
S	06	M 12×1.5	4	6.0	17	23.5	16.5	14.0	12	30.0	31	3.0	22	19	17	104	WH06SM	315	315
	08	M 14×1.5	5	6.0	19	23.5	16.5	14.0	12	30.0	31	3.0	22	19	19	111	WH08SM	315	315
	10	M 16×1.5	7	7.5	21	26.0	18.5	16.5	12	36.0	35	3.0	27	24	22	186	WH10SM	315	315
	12	M 18×1.5	8	9.0	23	27.5	20.0	18.5	12	39.5	36	3.0	27*	27	24	246	WH12SM	315	315
	14	M 20×1.5	10	10.0	25	30.5	22.5	20.0	14	43.5	40	3.0	32	30	27	320	WH14SM	315	315
	16	M 22×1.5	12	12.0	27	30.5	22.0	21.5	14	45.0	40	4.5	32	30	30	326	WH16SM	315	315
	20	M 27×2.0	16	16.0	32	37.0	26.5	24.0	16	53.0	48	3.5	41	36	36	596	WH20SM	160	160
	25	M 33×2.0	20	21.0	39	43.5	31.5	30.5	18	66.0	56	3.5	50	46	46	1055	WH25SM	160	160
	30	M 42×2.0	25	27.0	49	50.5	37.0	35.5	20	76.0	64	3.5	60	55	50	1572	WH30SM	160	160
38	M 48×2.0	32	34.0	55	57.5	41.5	40.5	22	87.0	72	3.5	70	60	60	2316	WH38SM	160	160	

*S1=SW12 in 1.4571

Order code suffixes		
	Stainless Steel	Body Only
Suffix	71	OMD
Example	WH16SM71	WH16SMOMD

WH-R-KDS - High pressure banjo elbow

EO 24° cone end / Male BSPP thread with soft seal ring



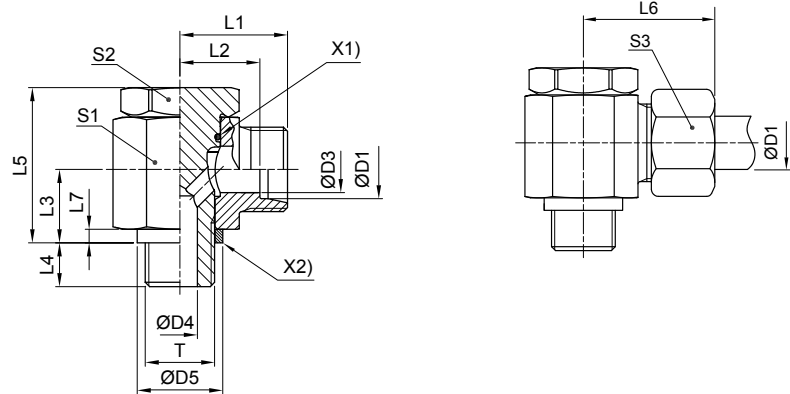
X1) O-ring OR
X2) Sealing ring KDS
X3) Sealing ring KD

Series	Ø D1	T	D3	D4	D5 KDS	D6 KD	L1	L2	L3	L4	L5	L6	L7	S1	S2	S3	Weight g/1 piece	Order code	PN (bar)	
																			CF	71
L	06	G 1/8 A	4	4.5	14.9	17	19.0	12.0	10.5	8	24	27	2.5	17	17	14	53	WH06LRKDS	315	315
	08	G 1/4 A	6	6.0	18.9	22	21.5	14.5	14.0	12	30	29	3.0	22	19	17	101	WH08LRKDS	315	315
	10	G 1/4 A	8	6.0	18.9	22	22.5	15.5	14.0	12	30	30	3.0	22	19	19	102	WH10LRKDS	315	315
	12	G 3/8 A	10	7.5	21.9	27	25.0	18.0	16.5	12	36	33	3.0	27	24	22	181	WH12LRKDS	315	315
	15	G 1/2 A	12	11.0	26.9	32	28.5	21.5	21.5	14	45	37	4.5	32	30	27	312	WH15LRKDS	315	315
	18	G 1/2 A	15	11.0	26.9	32	28.5	21.0	21.5	14	45	37	4.5	32	30	32	319	WH18LRKDS	315	315
	22	G 3/4 A	19	17.0	32.9	41	35.0	27.5	24.0	16	53	44	3.5	41	36	36	578	WH22LRKDS	160	160
	28	G 1 A	24	21.0	39.9	46	39.5	32.0	30.5	18	66	49	3.5	50	46	41	1035	WH28LRKDS	160	160
	35	G 1 1/4 A	30	27.0	49.9	57	46.5	36.0	35.5	20	76	58	3.5	60	55	50	1499	WH35LRKDS	160	160
	42	G 1 1/2 A	36	34.0	55.9	64	51.5	40.5	40.5	22	87	63	3.5	70	60	60	2196	WH42LRKDS	160	160
S	06	G 1/4 A	4	6.0	18.9	22	23.5	16.5	14.0	12	30	31	3.0	22	19	17	107	WH06SRKDS	400	400
	08	G 1/4 A	5	6.0	18.9	22	23.5	16.5	14.0	12	30	31	3.0	22	19	19	107	WH08SRKDS	400	400
	10	G 3/8 A	7	7.5	21.9	27	26.0	18.5	16.5	12	36	35	3.0	27	24	22	188	WH10SRKDS	400	400
	12	G 3/8 A	8	7.5	21.9	27	26.0	18.5	16.5	12	36	35	3.0	27*	24	24	190	WH12SRKDS	400	400
	14	G 1/2 A	10	11.0	26.9	32	30.5	22.5	21.5	15	45	40	4.5	32	30	27	320	WH14SRKDS	400	400
	16	G 1/2 A	12	11.0	26.9	32	30.5	22.0	21.5	14	45	40	4.5	32	30	30	324	WH16SRKDS	315	315
	20	G 3/4 A	16	17.0	32.9	41	37.0	26.5	24.0	16	53	48	3.5	41	36	36	588	WH20SRKDS	315	315
	25	G 1 A	20	21.0	39.9	46	43.5	31.5	30.5	18	66	56	3.5	50	46	46	1073	WH25SRKDS	250	250
	30	G 1 1/4 A	25	27.0	49.9	57	50.5	37.0	35.5	20	76	64	3.5	60	55	50	1559	WH30SRKDS	160	160
	38	G 1 1/2 A	32	34.0	55.9	64	57.5	41.5	40.5	22	87	72	3.5	70	60	60	2296	WH38SRKDS	160	160

Order code suffixes			
	Stainless Steel		Body Only
Suffix	71		OMD
Example	WH16SRKD71		WH16SRKDSOMD

WH-R - High pressure banjo elbow

EO 24° cone end / Male BSPP thread with metal sealing ring



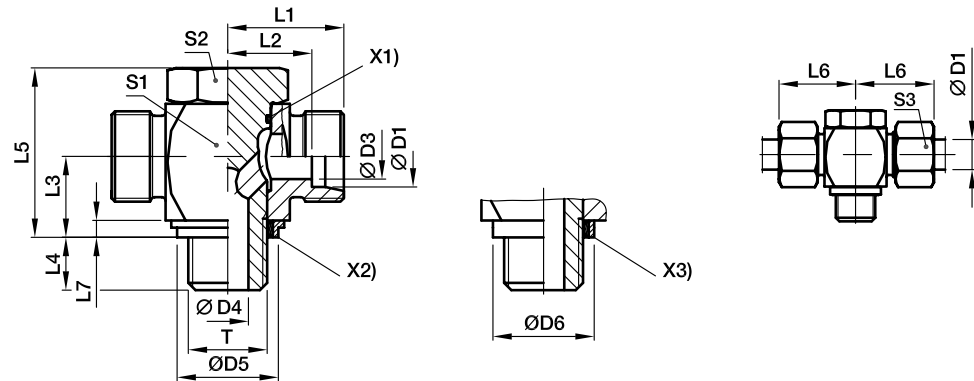
X1) O-ring OR
X2) Sealing ring DKA

Series	Ø D1	T	D3	D4	D5	L1	L2	L3	L4	L5	L6	L7	S1	S2	S3	Weight g/1 piece	Order code	PN (bar)		
																		CF	71	MS
L	06	G 1/8 A	4	4.5	14	19.0	12.0	10.5	8	24	27	2.5	17	17	14	53	WH06LR	250	250	160
	08	G 1/4 A	6	6.0	18	21.5	14.5	14.0	12	30	29	3.0	22	19	17	101	WH08LR	250	250	160
	10	G 1/4 A	8	6.0	18	22.5	15.5	14.0	12	30	30	3.0	22	19	19	102	WH10LR	250	250	160
	12	G 3/8 A	10	7.5	22	25.0	18.0	16.5	12	36	33	3.0	27	24	22	181	WH12LR	250	250	160
	15	G 1/2 A	12	11.0	26	28.5	21.5	21.5	14	45	37	4.5	32	30	27	311	WH15LR	250	250	160
	18	G 1/2 A	15	11.0	26	28.5	21.0	21.5	14	45	37	4.5	32	30	32	319	WH18LR	250	250	160
	22	G 3/4 A	19	17.0	32	35.0	27.5	24.0	16	53	44	3.5	41	36	36	577	WH22LR	160	160	
	28	G 1 A	24	21.0	39	39.5	32.0	30.5	18	66	49	3.5	50	46	41	1034	WH28LR	160	160	
	35	G 1 1/4 A	30	27.0	57	46.5	36.0	35.5	20	76	58	3.5	60	55	50	1500	WH35LR	160	160	
	42	G 1 1/2 A	36	34.0	55	51.5	40.5	40.5	22	87	63	3.5	70	60	60	2195	WH42LR	160	160	
S	06	G 1/4 A	4	6.0	18	23.5	16.5	14.0	12	30	31	3.0	22	19	17	107	WH06SR	315	315	200
	08	G 1/4 A	5	6.0	18	23.5	16.5	14.0	12	30	31	3.0	22	19	19	107	WH08SR	315	315	200
	10	G 3/8 A	7	7.5	22	26.0	18.5	16.5	12	36	35	3.0	27	24	22	188	WH10SR	315	315	200
	12	G 3/8 A	8	7.5	22	26.0	18.5	16.5	12	36	35	3.0	27*	24	24	190	WH12SR	315	315	200
	14	G 1/2 A	10	11.0	26	30.5	22.5	21.5	14	45	40	4.5	32	30	27	320	WH14SR	315	315	
	16	G 1/2 A	12	11.0	26	30.5	22.0	21.5	14	45	40	4.5	32	30	30	317	WH16SR	315	315	
	20	G 3/4 A	16	17.0	32	37.0	26.5	24.0	16	53	48	3.5	41	36	36	587	WH20SR	160	160	
	25	G 1 A	20	21.0	39	43.5	31.5	30.5	18	66	56	3.5	50	46	46	1072	WH25SR	160	160	
	30	G 1 1/4 A	25	27.0	49	50.5	37.0	35.5	20	76	64	3.5	60	55	50	1560	WH30SR	160	160	
	38	G 1 1/2 A	32	34.0	55	57.5	41.5	40.5	22	87	72	3.5	70	60	60	2295	WH38SR	160	160	

Order code suffixes			
	Stainless Steel	Brass	Body Only
Suffix	71	MS	OMD
Example	WH12LR71	WH12LRMS	WH12LR0MD

TH-M-KDS - High pressure banjo tee

EO 24° cone end / Male metric thread with soft seal ring



X1) O-ring OR
 X2) Sealing ring KDS
 X3) Sealing ring KD

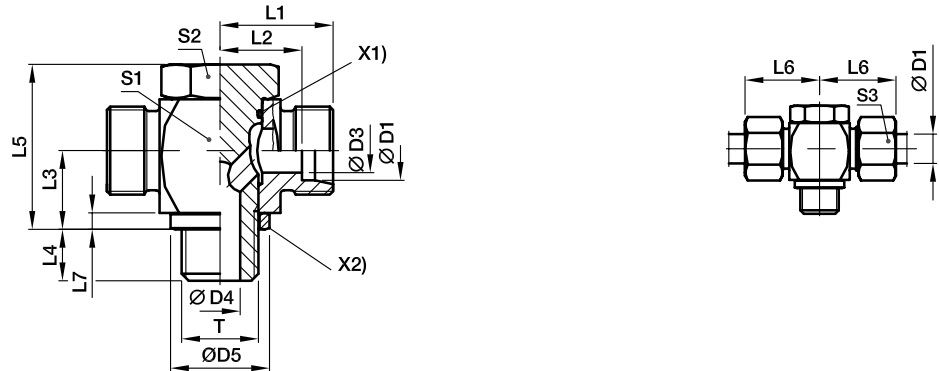
Series	Ø D1	T	D3	D4	D5 KDS	D6 KD	L1	L2	L3	L4	L5	L6	L7	S1	S2	S3	Weight g/1 piece	Order code	PN (bar)	
																			CF	71
L	06	M 10×1.0	4	4.5	14.9	17.0	19.0	12.0	10.5	8	24.0	27	2.5	17	17	14	59	TH06LMKDS	315	315
	08	M 12×1.5	6	6.0	17.0	22.0	21.5	14.5	14.0	12	30.0	29	3.0	22	19	17	104	TH08LMKDS	315	315
	10	M 14×1.5	8	6.0	18.9	22.5	22.5	15.5	14.0	12	30.0	30	3.0	22	19	19	112	TH10LMKDS	315	315
	12	M 16×1.5	10	7.5	21.9	27.0	25.0	18.0	16.5	12	36.0	33	3.0	27	24	22	192	TH12LMKDS	315	315
	15	M 18×1.5	11	9.0	23.9	29.0	27.5	21.5	18.5	12	39.5	37	3.0	30	27	27	258	TH15LMKDS	315	315
	18	M 22×1.5	15	12.0	26.9	32.0	28.5	21.0	21.5	14	45.0	37	4.5	32	30	32	337	TH18LMKDS	315	315
	22	M 26×1.5	19	17.0	31.9	41.0	35.0	27.5	24.0	16	53.0	44	3.5	41	36	36	589	TH22LMKDS	160	160
	28	M 33×2.0	24	21.0	39.9	46.0	39.5	32.0	30.5	18	66.0	49	3.5	50	46	41	1072	TH28LMKDS	160	160
	35	M 42×2.0	30	27.0	49.9	57.0	46.5	36.0	35.5	20	76.0	58	3.5	60	55	50	1778	TH35LMKDS	160	160
42	M 48×2.0	36	34.0	55.9	64.0	51.5	40.5	40.5	22	87.0	63	3.5	70	60	60	2566	TH42LMKDS	160	160	
S	06	M 12×1.5	4	6.0	17.0	22.0	23.5	16.5	14.0	12	30.0	31	3.0	22	19	17	112	TH06SMKDS	400	400
	08	M 14×1.5	5	6.0	18.9	22.5	23.5	16.5	14.0	12	30.0	31	3.0	22	19	19	123	TH08SMKDS	400	400
	10	M 16×1.5	7	7.5	21.9	27.0	26.0	18.5	16.5	12	36.0	35	3.0	27	24	22	200	TH10SMKDS	400	400
	12	M 18×1.5	8	9.0	23.9	29.0	27.5	20.0	18.5	12	39.5	36	3.0	27	27	24	261	TH12SMKDS	400	400
	14	M 20×1.5	10	10.0		32.0	30.5	22.5	20.0	14	43.5	40	3.0	32	30	27	334	TH14SMKD		400
	16	M 22×1.5	12	12.0	26.9	32.0	30.5	22.0	21.5	14	45.0	40	4.5	32	30	30	351	TH16SMKDS	315	315
	20	M 27×2.0	16	16.0	32.9	41.0	37.0	26.5	24.0	16	53.0	48	3.5	41	36	36	629	TH20SMKDS	315	315
	25	M 33×2.0	20	21.0	39.9	46.0	43.5	31.5	30.5	18	66.0	56	3.5	50	46	46	1106	TH25SMKDS	250	250
	30	M 42×2.0	25	27.0	49.9	57.0	50.5	37.0	35.5	20	76.0	64	3.5	60	55	50	1843	TH30SMKDS	160	160
	38	M 48×2.0	32	34.0	55.9	64.0	57.5	41.5	40.5	22	87.0	72	3.5	70	60	60	2744	TH38SMKDS	160	160

*S1=SW12 in 1.4571

Order code suffixes			
	Stainless Steel		Body Only
Suffix	71		OMD
Example	TH16SMKD71		TH16SMKDSOMD

TH-M - High pressure banjo tee

EO 24° cone end / Male metric thread with metal sealing ring



X1) O-ring OR
X2) Sealing ring DKA

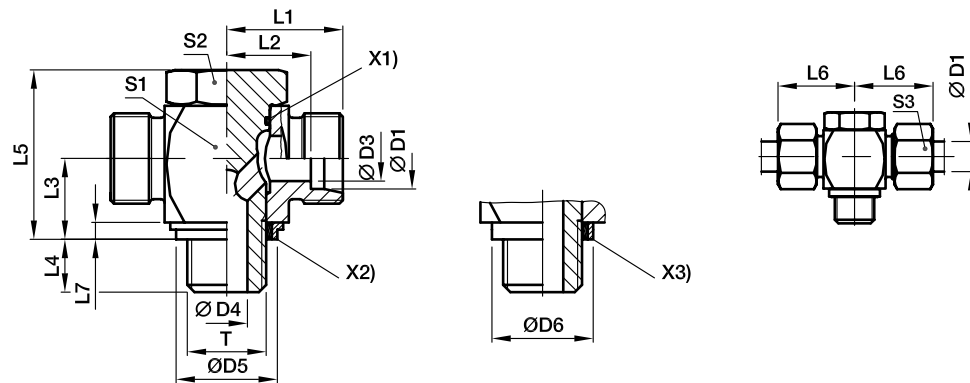
Series	Ø D1	T	D3	D4	D5	L1	L2	L3	L4	L5	L6	L7	S1	S2	S3	Weight g/1 piece	Order code	PN (bar)	
																		CF	71
L	06	M 10×1.0	4	4.5	14	19.0	12.0	10.5	8	24.0	27	2.5	17	17	14	58	TH06LM	250	250
	08	M 12×1.5	6	6.0	17	21.5	14.5	14.0	12	30.0	29	3.0	22	19	17	104	TH08LM	250	250
	10	M 14×1.5	8	6.0	19	22.5	15.5	14.0	12	30.0	30	3.0	22	19	19	112	TH10LM	250	250
	12	M 16×1.5	10	7.5	21	25.0	18.0	16.5	12	36.0	33	3.0	27	24	22	191	TH12LM	250	250
	15	M 18×1.5	11	9.0	23	27.5	21.5	18.5	12	39.5	37	3.0	30	27	27	258	TH15LM	250	250
	18	M 22×1.5	15	12.0	27	28.5	21.0	21.5	14	45.0	37	4.5	32	30	32	337	TH18LM	250	250
	22	M 26×1.5	19	17.0	31	35.0	27.5	24.0	16	53.0	44	3.5	41	36	36	590	TH22LM	160	160
	28	M 33×2.0	24	21.0	39	39.5	32.0	30.5	18	66.0	49	3.5	50	46	41	1072	TH28LM	160	160
	35	M 42×2.0	30	27.0	49	46.5	36.0	35.5	20	76.0	58	3.5	60	55	50	1778	TH35LM	160	160
42	M 48×2.0	36	34.0	55	51.5	40.5	40.5	22	87.0	63	3.5	70	60	60	2565	TH42LM	160	160	
S	06	M 12×1.5	4	6.0	17	23.5	16.5	14.0	12	30.0	31	3.0	22	19	17	112	TH06SM	315	315
	08	M 14×1.5	5	6.0	19	23.5	16.5	14.0	12	30.0	31	3.0	22	19	19	124	TH08SM	315	315
	10	M 16×1.5	7	7.5	21	26.0	18.5	16.5	12	36.0	35	3.0	27	24	22	200	TH10SM	315	315
	12	M 18×1.5	8	9.0	23	27.5	20.0	18.5	12	39.5	36	3.0	27	27	24	261	TH12SM	315	315
	14	M 20×1.5	10	10.0	25	30.5	22.5	20.0	14	43.5	40	3.0	32	30	27	334	TH14SM	315	315
	16	M 22×1.5	12	12.0	27	30.5	22.0	21.5	14	45.0	40	4.5	32	30	30	350	TH16SM	315	315
	20	M 27×2.0	16	16.0	32	37.0	26.5	24.0	16	53.0	48	3.5	41	36	36	628	TH20SM	160	160
	25	M 33×2.0	20	21.0	39	43.5	31.5	30.5	18	66.0	56	3.5	50	46	46	1106	TH25SM	160	160
	30	M 42×2.0	25	27.0	49	50.5	37.0	35.5	20	76.0	64	3.5	60	55	50	1843	TH30SM	160	160
38	M 48×2.0	32	34.0	55	57.5	41.5	40.5	22	87.0	72	3.5	70	60	60	2741	TH38SM	160	160	

*S1=SW12 in 1.4571

Order code suffixes			
	Stainless Steel		Body Only
Suffix	71		OMD
Example	TH16SM71		TH16SM0MD

TH-R-KDS - High pressure banjo tee

EO 24° cone end / Male BSPP thread with soft seal ring



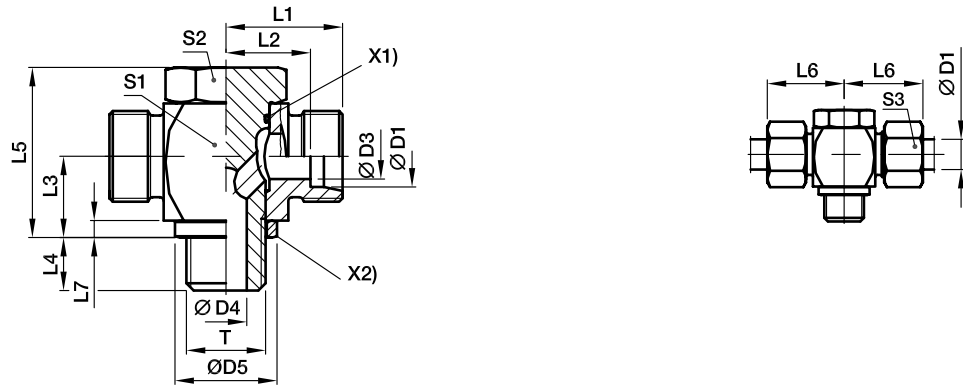
X1) O-ring OR
 X2) Sealing ring KDS
 X3) Sealing ring KD

Series	Ø D1	T	D3	D4	D5 KDS	D6 KD	L1	L2	L3	L4	L5	L6	L7	S1	S2	S3	Weight g/1 piece	Order code	PN (bar)	
																			CF	71
L	06	G 1/8 A	4	4.5	14.9	17	19.0	12.0	10.5	8	24	27	2.5	17	17	14	58	TH06LRKDS	315	315
	08	G 1/4 A	6	6.0	18.9	22	21.5	14.5	14.0	12	30	29	3.0	22	19	17	108	TH08LRKDS	315	315
	10	G 1/4 A	8	6.0	18.9	22	22.5	15.5	14.0	12	30	30	3.0	22	19	19	110	TH10LRKDS	315	315
	12	G 3/8 A	10	7.5	21.9	27	25.0	18.0	16.5	12	36	33	3.0	27	24	22	193	TH12LRKDS	315	315
	15	G 1/2 A	12	11.0	26.9	32	28.5	21.5	21.5	14	45	37	4.5	32	30	27	321	TH15LRKDS	315	315
	18	G 1/2 A	15	11.0	26.9	32	28.5	21.0	21.5	14	45	37	4.5	32	30	32	329	TH18LRKDS	315	315
	22	G 3/4 A	19	17.0	32.9	41	35.0	27.5	24.0	16	53	44	3.5	41	36	36	585	TH22LRKDS	160	160
	28	G 1 A	24	21.0	39.9	46	39.5	32.0	30.5	18	66	49	3.5	50	46	41	1090	TH28LRKDS	160	160
	35	G 1 1/4 A	30	27.0	49.9	57	46.5	36.0	35.5	20	76	58	3.5	60	55	50	1765	TH35LRKDS	160	160
42	G 1 1/2 A	36	34.0	55.9	64	51.5	40.5	40.5	22	87	63	3.5	70	60	60	2545	TH42LRKDS	160	160	
S	06	G 1/4 A	4	6.0	18.9	22	23.5	16.5	14.0	12	30	31	3.0	22	19	17	116	TH06SRKDS	400	400
	08	G 1/4 A	5	6.0	18.9	22	23.5	16.5	14.0	12	30	31	3.0	22	19	19	121	TH08SRKDS	400	400
	10	G 3/8 A	7	7.5	21.9	27	26.0	18.5	16.5	12	36	35	3.0	27	24	22	201	TH10SRKDS	400	400
	12	G 3/8 A	8	7.5	21.9	27	26.0	18.5	16.5	12	36	35	3.0	27	24	24	207	TH12SRKDS	400	400
	14	G 1/2 A	10	11.0	26.9	32	30.5	22.5	21.5	15	45	40	4.5	32	30	27	338	TH14SRKDS	400	400
	16	G 1/2 A	12	11.0	26.9	32	30.5	22.0	21.5	14	45	40	4.5	32	30	30	350	TH16SRKDS	315	315
	20	G 3/4 A	16	17.0	32.9	41	37.0	26.5	24.0	16	53	48	3.5	41	36	36	620	TH20SRKDS	315	315
	25	G 1 A	20	21.0	39.9	46	43.5	31.5	30.5	18	66	56	3.5	50	46	46	1124	TH25SRKDS	250	250
	30	G 1 1/4 A	25	27.0	49.9	57	50.5	37.0	35.5	20	76	64	3.5	60	55	50	1830	TH30SRKDS	160	160
38	G 1 1/2 A	32	34.0	55.9	64	57.5	41.5	40.5	22	87	72	3.5	70	60	60	2721	TH38SRKDS	160	160	

Order code suffixes			
	Stainless Steel		Body Only
Suffix	71		OMD
Example	TH16SRKD71		TH16SRKDSOMD

TH-R - High pressure banjo tee

EO 24° cone end / Male BSPP thread with metal sealing ring



X1) O-ring OR
X2) Sealing ring DKA

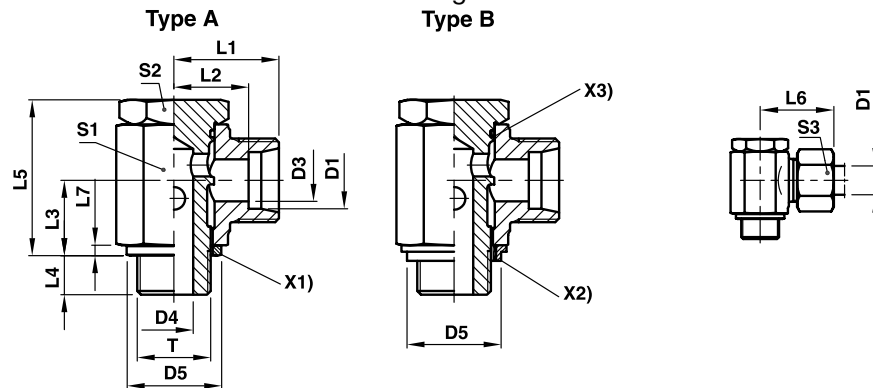
Series	Ø D1	T	D3	D4	D5	L1	L2	L3	L4	L5	L6	L7	S1	S2	S3	Weight g/1 piece	Order code	PN (bar)	
																		CF	71
L	06	G 1/8 A	4	4.5	14	19.0	12.0	10.5	8	24	27	2.5	17	17	14	58	TH06LR	250	250
	08	G 1/4 A	6	6.0	18	21.5	14.5	14.0	12	30	29	3.0	22	19	17	108	TH08LR	250	250
	10	G 1/4 A	8	6.0	18	22.5	15.5	14.0	12	30	30	3.0	22	19	19	110	TH10LR	250	250
	12	G 3/8 A	10	7.5	22	25.0	18.0	16.5	12	36	33	3.0	27	24	22	193	TH12LR	250	250
	15	G 1/2 A	12	11.0	26	28.5	21.5	21.5	14	45	37	4.5	32	30	27	321	TH15LR	250	250
	18	G 1/2 A	15	11.0	26	28.5	21.0	21.5	14	45	37	4.5	32	30	32	329	TH18LR	250	250
	22	G 3/4 A	19	17.0	32	35.0	27.5	24.0	16	53	44	3.5	41	36	36	584	TH22LR	160	160
	28	G 1 A	24	21.0	39	39.5	32.0	30.5	18	66	49	3.5	50	46	41	1090	TH28LR	160	160
	35	G 1 1/4 A	30	27.0	57	46.5	36.0	35.5	20	76	58	3.5	60	55	50	1766	TH35LR	160	160
42	G 1 1/2 A	36	34.0	55	51.5	40.5	40.5	22	87	63	3.5	70	60	60	2544	TH42LR	160	160	
S	06	G 1/4 A	4	6.0	18	23.5	16.5	14.0	12	30	31	3.0	22	19	17	116	TH06SR	315	315
	08	G 1/4 A	5	6.0	18	23.5	16.5	14.0	12	30	31	3.0	22	19	19	121	TH08SR	315	315
	10	G 3/8 A	7	7.5	22	26.0	18.5	16.5	12	36	35	3.0	27	24	22	201	TH10SR	315	315
	12	G 3/8 A	8	7.5	22	26.0	18.5	16.5	12	36	35	3.0	27	24	24	207	TH12SR	315	315
	14	G 1/2 A	10	11.0	26	30.5	22.5	21.5	14	45	40	4.5	32	30	27	343	TH14SR	315	315
	16	G 1/2 A	12	11.0	26	30.5	22.0	21.5	14	45	40	4.5	32	30	30	350	TH16SR	315	315
	20	G 3/4 A	16	17.0	32	37.0	26.5	24.0	16	53	48	3.5	41	36	36	618	TH20SR	160	160
	25	G 1 A	20	21.0	39	43.5	31.5	30.5	18	66	56	3.5	50	46	46	1124	TH25SR	160	160
	30	G 1 1/4 A	25	27.0	49	50.5	37.0	35.5	20	76	64	3.5	60	55	50	1831	TH30SR	160	160
38	G 1 1/2 A	32	34.0	55	57.5	41.5	40.5	22	87	72	3.5	70	60	60	2720	TH38SR	160	160	

Order code suffixes			
	Stainless Steel		Body Only
Suffix	71		OMD
Example	TH16SR71		TH16SR0MD

SWVE - Metric male stud banjo elbow

SWVE-M EO 24° cone end / Metric male stud with metal seal ring

SWVE-M-KDS EO 24° cone end / Metric male stud with soft seal ring



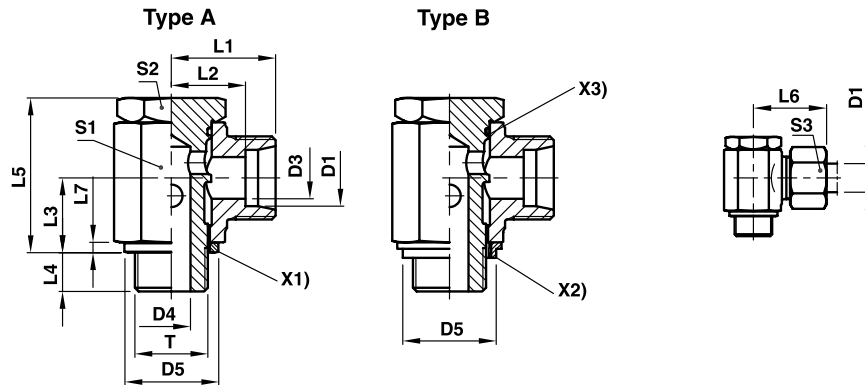
X1) Metal seal ring DKA
 X2) Soft seal ring KDS
 X3) O-ring OR

Series	Ø D1	T	D3	D4	DKA D5	KDS D5	L1	L2	L3	L4	L5	L6	L7	S1	S2	S3	Weight g/1 piece	Type A	Type B	PN (bar) CF
																		Order code metal sealed	Order code soft sealed	
LL	04	M 08×1.0	3.0	3.0	12.5		14.5	10.5	8.0	6	17.0	20	2.5	12	12	10	18	SWVE04LLM		63
	06	M 10×1.0	4.5	5.0	14.0	15	15.5	10.0	10.0	6	21.0	22	2.5	14	14	12	29	SWVE06LLM	SWVE06LLMKDS	63
	08	M 10×1.0	6.0	5.0	14.0	15	16.5	11.0	10.0	6	21.0	23	2.5	14	14	14	31	SWVE08LLM	SWVE08LLMKDS	63
L	06	M 10×1.0	4.5	5.0	14.0	15	15.5	10.5	10.0	6	21.5	25	2.5	14	14	14	31	SWVE06LM	SWVE06LMKDS	160
	08	M 12×1.5	6.0	6.0	17.0	17	19.0	12.0	12.0	9	25.0	27	3.0	17	17	17	51	SWVE08LM	SWVE08LMKDS	160
	10	M 14×1.5	8.0	6.5	19.0	19	21.0	14.0	13.0	9	27.0	29	3.0	19	19	19	68	SWVE10LM	SWVE10LMKDS	160
	12	M 16×1.5	10.0	8.5	21.0	22	22.5	15.5	15.0	9	32.0	30	3.0	22	21	22	100	SWVE12LM	SWVE12LMKDS	100
	15	M 18×1.5	12.0	11.0	23.0	24	24.5	17.5	18.0	9	37.5	33	3.0	24	24	27	138	SWVE15LM	SWVE15LMKDS	100
	18	M 22×1.5	15.0	13.0	27.0	27	28.0	20.5	21.5	11	44.5	37	4.5	30	27	32	241	SWVE18LM	SWVE18LMKDS	100
	22	M 26×1.5	19.0	18.0	31.0	32	33.0	25.5	24.0	13	49.0	42	3.5	36	32	36	351	SWVE22LM	SWVE22LMKDS	100
	28	M 33×2.0	24.0	22.0	39.0	40	39.5	32.0	30.5	14	66.5	49	3.5	50	46	41		SWVE28LM	SWVE28LMKDS	100
	35	M 42×2.0	30.0	29.0	49.0	50	46.5	36.0	35.5	16	76.0	58	3.5	60	55	50		SWVE35LM	SWVE35LMKDS	100
	42	M 48×2.0	36.0	35.0	55.0	56	51.5	40.5	40.5	18	86.0	63	3.5	70	60	60		SWVE42LM	SWVE42LMKDS	100
S	06	M 12×1.5	4.0	6.0	17.0	17	21.0	14.0	12.0	9	25.0	29	3.0	17	17	17	55	SWVE06SM	SWVE06SMKDS	160
	08	M 14×1.5	5.0	6.5	19.0	19	22.0	15.0	13.0	9	27.0	30	3.0	19	19	19	75	SWVE08SM	SWVE08SMKDS	160
	10	M 16×1.5	7.0	8.5	21.0	22	23.5	16.0	15.0	9	32.0	32	3.0	22	22	22	106	SWVE10SM	SWVE10SMKDS	100
	12	M 18×1.5	8.0	11.0	23.0	24	24.5	17.0	18.0	9	37.0	33	3.0	24	24	24	134	SWVE12SM	SWVE12SMKDS	100
	14	M 20×1.5	10.0	10.0	25.0		28.0	20.0	18.0	11	37.0	38	3.0	27	27	27	179	SWVE14SM		100
	16	M 22×1.5	12.0	13.0	27.0	27	30.0	21.5	21.5	11	44.5	40	4.5	30	27	30	252	SWVE16SM	SWVE16SMKDS	100
	20	M 27×2.0	16.0	18.0	32.0	33	35.0	24.5	24.0	13	49.0	46	3.5	36	32	36	363	SWVE20SM	SWVE20SMKDS	100
	25	M 33×2.0	20.0	22.0	39.0	40	43.5	31.5	30.5	14	66.5	56	3.5	50	46	46		SWVE25SM	SWVE25SMKDS	100
	30	M 42×2.0	25.0	29.0	49.0	50	50.5	37.0	35.5	16	76.0	64	3.5	60	55	50		SWVE30SM	SWVE30SMKDS	100
	38	M 48×2.0	32.0	35.0	55.0	56	57.5	41.5	40.5	18	86.0	72	3.5	70	60	60		SWVE38SM	SWVE38SMKDS	100

Order code suffixes			
			Body Only
Suffix			OMD
Example			SWVE12LMOMD

SWVE - BSPP male stud banjo elbow

SWVE-R EO 24° cone end / BSPP male stud with metal seal ring
 SWVE-R-KDS EO 24° cone end / BSPP male stud with soft seal ring



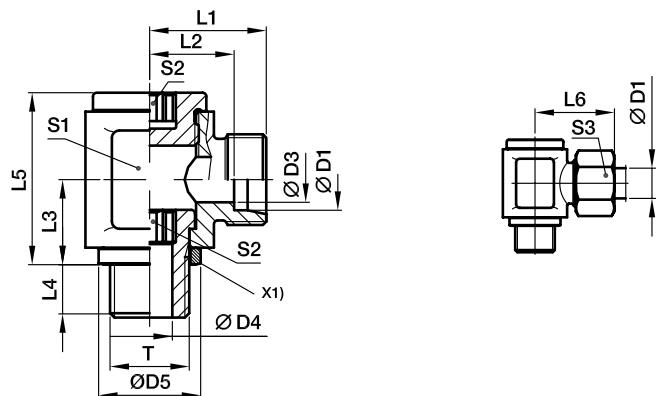
X1) Metal seal ring DKA
 X2) Soft seal ring KDS
 X3) O-ring OR

Series	∅ D1	T	D3	D4	DKA D5	KDS D5	L1	L2	L3	L4	L5	L6	L7	S1	S2	S3	Weight g/1 piece	Type A Order code metal sealed	Type B Order code soft sealed	PN (bar) CF
LL	04	G 1/8 A	3.0	5.0	14	15	15.5	11.5	10.0	6	21.0	21	2.5	14	14	10	28	SWVE04LLR	SWVE04LLRKDS	63
	06	G 1/8 A	4.5	5.0	14	15	15.5	10.0	10.0	6	21.5	22	2.5	14	14	12	28	SWVE06LLR	SWVE06LLRKDS	63
	08	G 1/8 A	6.0	5.0	14	15	16.5	11.0	10.0	6	21.0	23	2.5	14	14	14	30	SWVE08LLR	SWVE08LLRKDS	63
L	06	G 1/8 A	4.0	5.0	14	15	17.5	10.5	10.0	6	21.0	25	2.5	14	14	14	31	SWVE06LR	SWVE06LRKDS	160
	08	G 1/4 A	6.0	6.5	18	19	20.0	13.0	13.0	9	27.0	28	3.0	19	19	17	65	SWVE08LR	SWVE08LRKDS	160
	10	G 1/4 A	8.0	6.5	18	19	21.0	14.0	13.0	9	27.0	29	3.0	19	19	19	66	SWVE10LR	SWVE10LRKDS	160
	12	G 3/8 A	10.0	8.5	22	22	22.5	15.5	15.0	9	32.0	30	3.0	22	22	22	102	SWVE12LR	SWVE12LRKDS	100
	15	G 1/2 A	12.0	11.0	26	27	26.0	19.0	18.0	11	37.5	34	4.5	27	27	27	171	SWVE15LR	SWVE15LRKDS	100
	18	G 1/2 A	15.0	13.0	26	27	28.0	20.5	21.5	11	44.5	37	4.5	30	27	32	249	SWVE18LR	SWVE18LRKDS	100
	22	G 3/4 A	19.0	18.0	32	33	33.0	25.5	24.0	13	49.0	42	3.5	36	32	36	349	SWVE22LR	SWVE22LRKDS	100
	28	G 1 A	24.0	22.0	39	40	39.5	32.0	30.5	14	66.5	49	3.5	50	46	41		SWVE28LR	SWVE28LRKDS	100
	35	G 1 1/4 A	30.0	29.0	49	50	46.5	36.0	35.5	16	76.0	58	3.5	60	55	50		SWVE35LR	SWVE35LRKDS	100
	42	G 1 1/2 A	36.0	35.0	55	56	51.5	40.5	40.5	18	86.0	63	3.5	70	60	60		SWVE42LR	SWVE42LRKDS	100
S	06	G 1/4 A	4.0	6.5	18	19	22.0	15.0	13.0	9	27.0	30	3.0	19	19	17	69	SWVE06SR	SWVE06SRKDS	160
	08	G 1/4 A	5.0	6.5	18	19	22.0	15.0	13.0	9	27.0	30	3.0	19	19	19	73	SWVE08SR	SWVE08SRKDS	160
	10	G 3/8 A	7.0	8.5	22	22	23.5	16.0	15.0	9	32.0	32	3.0	22	22	22	108	SWVE10SR	SWVE10SRKDS	100
	12	G 3/8 A	8.0	8.0	22	22	24.5	17.0	18.0	9	37.0	33	3.0	24	24	24	147	SWVE12SR	SWVE12SRKDS	100
	14	G 1/2 A	10.0	11.0	26	27	28.0	20.0	18.0	11	37.5	38	4.5	27	27	27	177	SWVE14SR	SWVE14SRKDS	100
	16	G 1/2 A	12.0	13.0	26	27	30.0	21.5	21.5	11	44.5	40	4.5	30	27	30	249	SWVE16SR	SWVE16SRKDS	100
	20	G 3/4 A	16.0	18.0	32	33	35.0	24.5	24.0	13	49.0	46	3.5	36	32	36	359	SWVE20SR	SWVE20SRKDS	100
	25	G 1 A	20.0	22.0	39	40	43.5	31.5	30.5	14	66.5	56	3.5	50	46	46		SWVE25SR	SWVE25SRKDS	100
	30	G 1 1/4 A	25.0	29.0	49	50	50.5	37.0	35.5	16	76.0	64	3.5	60	55	50		SWVE30SR	SWVE30SRKDS	100
	38	G 1 1/2 A	32.0	35.0	55	56	57.5	41.5	40.5	18	86.0	72	3.5	70	60	60		SWVE38SR	SWVE38SRKDS	100

Order code suffixes			
	Stainless Steel		Body Only
Suffix	71		OMD
Example	SWVE12LR71		SWVE12LR0MD

DSVW-M - Low pressure banjo elbow

EO 24° cone end / Male metric thread



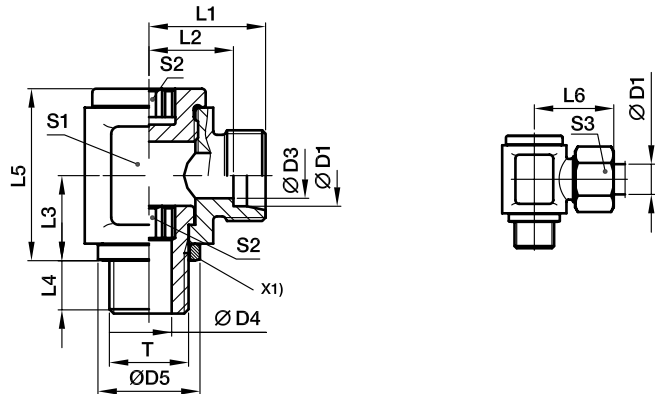
X1) Sealing ring DKAZ

Series	Ø D1	T	D3	D4	D5	L1	L2	L3	L4	L5	L6	S1	S2	S3	Weight g/1 piece	Order code	PN (bar) CF
L	06	M 10×1.0	4	4.0	14	19.5	12.5	12	8	24	27	18	6	14	51	DSVW06LM	160
	08	M 12×1.5	6	5.5	17	21.5	14.5	15	12	30	29	22	6	17	86	DSVW08LM	160
	10	M 14×1.5	8	7.0	19	22.5	15.5	16	12	30	30	22	8	19	87	DSVW10LM	100
	12	M 16×1.5	10	8.0	21	25.0	18.0	18	12	37	33	27	10	22	145	DSVW12LM	100
	15	M 18×1.5	12	10.0	23	28.0	21.0	20	12	40	36	30	12	27	197	DSVW15LM	100
	18	M 22×1.5	15	14.0	27	29.0	21.5	23	14	46	38	36	14	32	264	DSVW18LM	100
	22	M 26×1.5	19	17.5	31	33.5	26.0	25	16	51	42	41	17	36	379	DSVW22LM	100
	28	M 33×2.0	24	22.0	39	39.0	31.5	32	18	64	48	50	22	41	682	DSVW28LM	100
	35	M 42×2.0	30	27.5	49	46.0	35.5	37	20	76	57	60	27	50	1146	DSVW35LM	63
42	M 48×2.0	36	32.5	55	51.0	40.0	42	22	85	63	70	32	60	1706	DSVW42LM	63	
S	06	M 12×1.5	4	5.5	17	23.5	16.5	15	12	30	31	22	6	17	90	DSVW06SM	160
	08	M 14×1.5	5	7.0	19	23.5	16.5	16	12	30	31	22	8	19	90	DSVW08SM	160
	10	M 16×1.5	7	8.0	21	26.0	18.5	18	12	37	35	27	10	22	154	DSVW10SM	100
	12	M 18×1.5	8	10.0	23	28.0	20.5	20	12	41	37	30	12	24	199	DSVW12SM	100
	14	M 20×1.5	10	12.0	25	31.0	23.0	21	14	42	41	32	12	27	239	DSVW14SM	100
	16	M 22×1.5	12	14.0	27	31.0	22.5	23	14	46	41	36	14	30	268	DSVW16SM	100
	20	M 27×2.0	16	17.5	32	38.0	27.5	28	16	58	49	46	17	36	532	DSVW20SM	100
	25	M 33×2.0	20	22.0	39	43.0	31.0	32	18	64	55	50	22	46	728	DSVW25SM	100
	30	M 42×2.0	25	27.5	49	50.0	36.5	37	20	76	63	60	27	50	1222	DSVW30SM	63
38	M 48×2.0	32	32.5	55	56.0	41.0	42	22	85	72	70	32	60	1820	DSVW38SM	63	

Order code suffixes			
Suffix			Body Only
Example			DSVW12LMOMD

DSVW-R - Low pressure banjo elbow

EO 24° cone end / Male BSPP thread



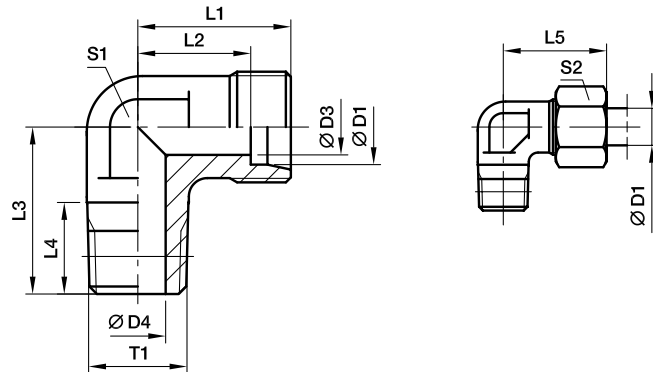
X1) Sealing ring DKAZ

Series	∅ D1	T	D3	D4	D5	L1	L2	L3	L4	L5	L6	S1	S2	S3	Weight g/1 piece	Order code	PN (bar) CF
L	06	G 1/8 A	4	4.0	14	19.5	12.5	12	8	24	27	18	6	14	51	DSVW06LR	160
	08	G 1/4 A	6	6.0	18	21.5	14.5	16	12	30	29	22	8	17	85	DSVW08LR	160
	10	G 1/4 A	8	6.0	18	22.5	15.5	16	12	30	30	22	8	19	88	DSVW10LR	100
	12	G 3/8 A	10	8.5	22	25.0	18.0	18	12	37	33	27	10	22	147	DSVW12LR	100
	15	G 1/2 A	12	12.0	26	29.0	22.0	21	14	42	37	32	12	27	228	DSVW15LR	100
	18	G 1/2 A	15	12.0	26	29.0	21.5	23	14	46	38	36	12	32	276	DSVW18LR	100
	22	G 3/4 A	19	17.5	32	36.0	28.5	28	16	58	45	46	17	36	516	DSVW22LR	100
	28	G 1 A	24	22.0	39	39.0	31.5	32	18	64	48	50	22	41	688	DSVW28LR	100
	35	G 1 1/4 A	30	27.5	49	46.0	35.5	37	20	76	57	60	27	50	1147	DSVW35LR	63
42	G 1 1/2 A	36	32.5	55	51.5	40.0	42	22	85	63	70	32	60	1696	DSVW42LR	63	
S	06	G 1/4 A	4	6.0	18	23.5	16.5	16	12	30	31	22	8	17	89	DSVW06SR	160
	08	G 1/4 A	5	6.0	18	23.5	16.5	16	12	30	31	22	8	19	92	DSVW08SR	160
	10	G 3/8 A	7	8.5	22	26.0	18.5	18	12	37	35	27	10	22	150	DSVW10SR	100
	12	G 3/8 A	8	8.5	22	26.0	18.5	18	12	37	35	27	10	24	156	DSVW12SR	100
	14	G 1/2 A	10	12.0	26	31.0	23.0	21	14	42	41	32	12	27	235	DSVW14SR	100
	16	G 1/2 A	12	12.0	26	31.0	22.5	23	14	46	41	36	12	30	275	DSVW16SR	100
	20	G 3/4 A	16	17.5	32	38.0	27.5	28	16	58	49	46	17	36	530	DSVW20SR	100
	25	G 1 A	20	22.0	39	43.0	31.0	32	18	64	55	50	22	46	734	DSVW25SR	100
	30	G 1 1/4 A	25	27.5	49	50.0	36.5	37	20	76	63	60	27	50	1224	DSVW30SR	63
38	G 1 1/2 A	32	32.5	55	57.5	41.0	42	22	85	72	70	32	60	1810	DSVW38SR	63	

Order code suffixes			
			Body Only
Suffix			OMD
Example			DSVW12LROMD

WE-NPT - Male stud elbow

EO 24° cone end / Male NPT thread (SAE J476)

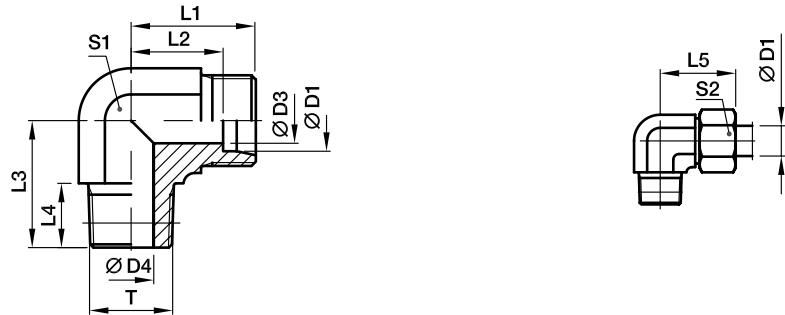


Series	Ø D1	T1	D3	D4	L1	L2	L3	L4	L5	S1	S2	Weight g/1 piece	Order code	PN (bar)		
														CF	71	MS
LL	04	1/8-27 NPT	3.0	4.0	15	11.0	17	10.0	21	9	10	18	WE04LL1/8NPT	100		
	06	1/8-27 NPT	4.5	4.5	15	9.5	17	10.0	21	9	12	17	WE06LL1/8NPT	100		
	08	1/8-27 NPT	6.0	5.0	17	11.5	20	10.0	23	12	14	25	WE08LL1/8NPT	100		
L	06	1/8-27 NPT	4.0	4.0	19	12.0	20	10.0	27	12	14	29	WE06L1/8NPT	315	315	200
	06	1/4-18 NPT	4.0	7.0	21	14.0	26	14.5	29	12	14	44	WE06L1/4NPT	315	315	200
	06	3/8-18 NPT	4.0	8.0	25	18.0	28	14.5	33	17	14	55	WE06L3/8NPT	315	315	200
	08	1/8-27 NPT	6.0	4.0	21	14.0	26	10.0	29	12	17	48	WE08L1/8NPT	315	315	200
	08	1/4-18 NPT	6.0	6.0	21	14.0	26	14.5	29	12	17	47	WE08L1/4NPT	315	315	200
	10	1/4-18 NPT	8.0	7.0	22	15.0	27	14.5	30	14	19	61	WE10L1/4NPT	315	315	200
	10	3/8-18 NPT	8.0	8.0	24	17.0	28	14.5	32	17	19	92	WE10L3/8NPT	315	315	200
	12	1/4-18 NPT	10.0	7.0	24	17.0	28	14.5	32	17	22	82	WE12L1/4NPT	315	315	200
	12	3/8-18 NPT	10.0	8.0	24	17.0	28	14.5	32	17	22	92	WE12L3/8NPT	315	315	200
	12	1/2-14 NPT	10.0	11.0	28	21.0	34	19.5	36	19	22	90	WE12L1/2NPT	315	315	200
	15	1/2-14 NPT	12.0	11.0	28	21.0	34	19.5	36	19	27	89	WE15L1/2NPT	315	315	200
	18	1/2-14 NPT	15.0	12.0	31	23.5	36	19.5	40	24	32	150	WE18L1/2NPT	315	315	200
	22	3/4-14 NPT	19.0	16.0	35	27.5	42	19.5	44	27	36	176	WE22L3/4NPT	160	160	100
	28	1-11.5 NPT	24.0	21.0	38	30.5	48	24.5	47	36	41	314	WE28L1NPT	160	160	100
	35	1 1/4-11.5 NPT	30.0	28.0	45	34.5	54	25.0	56	41	50	465	WE35L11/4NPT	160	160	100
42	1 1/2-11.5 NPT	36.0	34.0	51	40.0	61	26.0	63	50	60	849	WE42L11/2NPT	160	160	100	
S	06	1/4-18 NPT	4.0	4.0	23	16.0	26	14.5	31	12	17	56	WE06S1/4NPT	630	630	400
	08	1/4-18 NPT	5.0	5.0	24	17.0	27	14.5	32	14	19	73	WE08S1/4NPT	630	630	400
	08	3/8-18 NPT	5.0	8.0	25	18.0	28	14.5	33	17	19	77	WE08S3/8NPT	630	630	400
	08	1/2-14 NPT	5.0	10.0	30	23.0	34	19.5	38	19	19	75	WE08S1/2NPT	630	630	400
	10	1/4-18 NPT	7.0	5.0	25	17.5	28	14.5	34	17	22	96	WE10S1/4NPT	630	630	400
	10	3/8-18 NPT	7.0	7.0	25	17.5	28	14.5	34	17	22	98	WE10S3/8NPT	630	630	400
	12	1/4-18 NPT	8.0	5.0	29	21.5	29	14.5	38	17	24	73	WE12S1/4NPT	630	630	400
	12	3/8-18 NPT	8.0	8.0	29	22.5	28	14.5	38	17	24	123	WE12S3/8NPT	630	630	400
	12	1/2-14 NPT	8.0	10.0	30	22.5	34	19.5	39	19	24	107	WE12S1/2NPT	630	630	400
	14	1/2-14 NPT	10.0	10.0	30	22.0	34	19.5	40	19	27	103	WE14S1/2NPT	630	630	400
	16	1/2-14 NPT	12.0	12.0	33	24.5	36	19.5	43	24	30	157	WE16S1/2NPT	400	400	250
	20	3/4-14 NPT	16.0	16.0	37	26.5	42	19.5	48	27	36	205	WE20S3/4NPT	400	400	250
	25	1-11.5 NPT	20.0	20.0	42	30.0	48	24.5	54	36	46	381	WE25S1NPT	400	400	250
	30	1 1/4-11.5 NPT	25.0	25.0	49	35.5	54	25.0	62	41	50	598	WE30S11/4NPT	400	400	250
	38	1 1/2-11.5 NPT	32.0	32.0	57	41.0	61	26.0	72	50	60	1029	WE38S11/2NPT	315	315	200

Order code suffixes			
	Stainless Steel	BRASS	Body Only
Suffix	71	MS	X
Example	WE16S1/2NPT71	WE16S1/2NPTMS	WE16S1/2NPTMS

WE-M(KEG) - Male stud elbow

EO 24° cone end / Male metric taper thread (DIN 3852-1, type C)

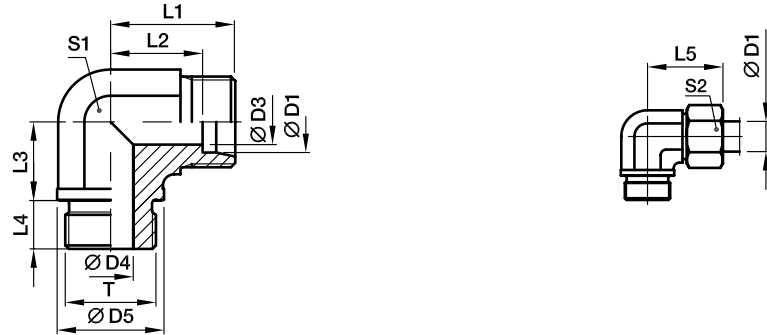


Series	Ø D1	T	D3	D4	L1	L2	L3	L4	L5	S1	S2	Weight g/1 piece	Order code	PN (bar)		
														CF	71	MS
LL	04	M 08×1.0 tap.	3.0	3.5	15	11.0	17	8	21	9	10	14	WE04LLM	100	100	63
	06	M 10×1.0 tap.	4.5	4.5	15	9.5	17	8	21	9	12	17	WE06LLM	100	100	63
	08	M 10×1.0 tap.	6.0	6.0	17	11.5	20	8	23	12	14	25	WE08LLM	100	100	63
L	06	M 10×1.0 tap.	4.0	4.0	19	12.0	20	8	27	12	14	29	WE06LM	315	315	200
	08	M 12×1.5 tap.	6.0	6.0	21	14.0	26	12	29	12	17	46	WE08LM	315	315	200
	10	M 14×1.5 tap.	8.0	7.0	22	15.0	27	12	30	14	19	62	WE10LM	315	315	200
	12	M 16×1.5 tap.	10.0	9.0	24	17.0	28	12	32	17	22	89	WE12LM	315	315	200
	15	M 18×1.5 tap.	12.0	11.0	28	21.0	32	12	36	19	27	78	WE15LM	315	315	200
	18	M 22×1.5 tap.	15.0	14.0	31	23.0	36	14	40	24	32	148	WE18LM	315	315	200
S	06	M 12×1.5 tap.	4.0	4.0	23	16.0	26	12	31	12	17	53	WE06SM	400	400	250
	08	M 14×1.5 tap.	5.0	5.0	24	17.0	27	12	32	14	19	78	WE08SM	400	400	250
	10	M 16×1.5 tap.	7.0	7.0	25	17.5	28	12	34	17	22	102	WE10SM	400	400	250
	12	M 18×1.5 tap.	8.0	8.0	29	21.5	28	12	38	17	24	134	WE12SM	400	400	250
	14	M 20×1.5 tap.	10.0	10.0	30	22.0	32	14	40	19	27	99	WE14SM	400	400	250
	16	M 22×1.5 tap.	12.0	12.0	33	24.5	32	14	43	24	30	161	WE16SM	400	400	250

Order code suffixes			
	Stainless Steel	Brass	Body Only
Suffix	71	MS	X
Example	WE15LM71	WE15LMMS	WE15LMX

WE-M - Male stud elbow

EO 24° cone end / Male metric thread – metal sealing edge (ISO 9974)

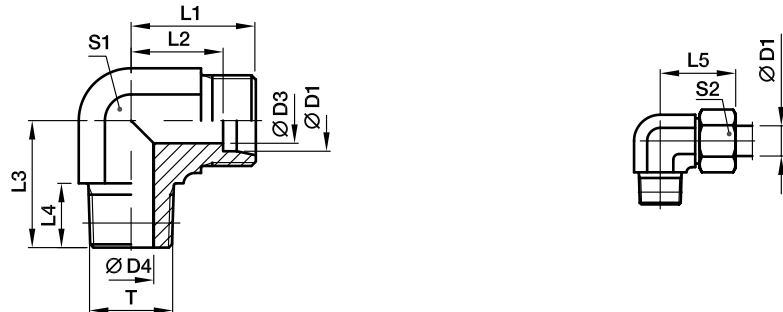


Series	Ø D1	T	D3	D4	D5	L1	L2	L3	L4	L5	S1	S2	Weight g/1 piece	Order code	PN (bar)	
															CF	71
L	22	M 26×1.5	19	18	31	35	27.5	26	16	44	27	36	173	WE22LM	160	160
	28	M 33×2.0	24	23	39	38	30.5	30	18	47	36	41	303	WE28LM	160	160
	35	M 42×2.0	30	30	49	45	34.5	34	20	56	41	50	469	WE35LM	160	160
	42	M 48×2.0	36	36	55	51	40.0	39	22	63	50	60	661	WE42LM	160	160
S	20	M 27×2.0	16	16	32	37	26.5	26	16	48	27	36	208	WE20SM	400	400
	25	M 33×2.0	20	20	39	42	30.0	30	18	54	36	46	396	WE25SM	250	250
	30	M 42×2.0	25	25	49	49	35.5	34	20	62	41	50	632	WE30SM	160	160
	38	M 48×2.0	32	32	55	57	41.0	39	22	72	50	60	907	WE38SM	160	160

Order code suffixes			
	Stainless Steel		Body Only
Suffix	71		X
Example	WE22LM71		WE22LMX

WE-R (KEG) - Male stud elbow

EO 24° cone end / Male short BSP taper thread (DIN 3852-2, type C)

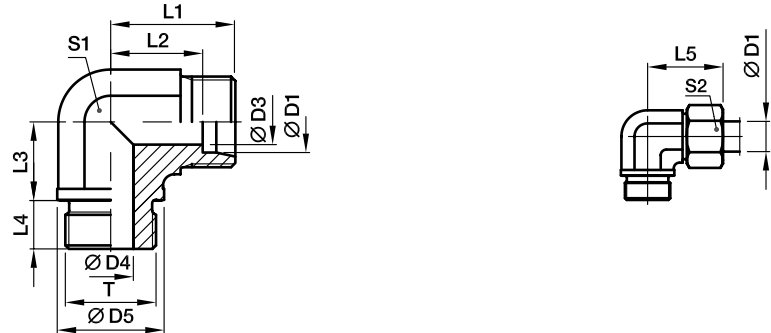


Series	Ø D1	T	D3	D4	L1	L2	L3	L4	L5	S1	S2	Weight g/1 piece	Order code	PN (bar)		
														CF	71	MS
LL	04	R 1/8 tap.	3.0	4.0	15	11.0	17	8	21	9	10	17	WE04LLR	100	100	63
	06	R 1/8 tap.	4.5	4.5	15	9.5	17	8	21	9	12	17	WE06LLR	100	100	63
	08	R 1/8 tap.	6.0	6.0	17	11.5	20	8	23	12	14	24	WE08LLR	100	100	63
	10	R 1/4 tap.	8.0	7.0	18	12.5	23	12	24	12	17	36	WE10LLR	100		
	12	R 1/4 tap.	10.0	7.0	19	13.0	23	12	25	14	19	46	WE12LLR	100		
L	06	R 1/8 tap.	4.0	4.0	19	12.0	20	8	27	12	14	30	WE06LR	315	315	200
	06	R 1/4 tap.	4.0	6.0	21	14.0	26	12	29	12	14	47	WE06LR1/4	315	315	
	08	R 1/4 tap.	6.0	6.0	21	14.0	26	12	29	12	17	46	WE08LR	315	315	200
	08	R 1/8 tap.	6.0	4.0	21	14.0	26	8	29	12	17	49	WE08LR1/8	315	315	
	08	R 3/8 tap.	6.0	9.0	24	17.0	28	12	32	17	17	94	WE08LR3/8	315	315	
	10	R 1/4 tap.	8.0	7.0	22	15.0	27	12	30	14	19	61	WE10LR	315	315	200
	10	R 3/8 tap.	8.0	9.0	24	17.0	28	12	32	17	19	87	WE10LR3/8	315	315	
	12	R 3/8 tap.	10.0	9.0	24	17.0	28	12	32	17	22	88	WE12LR	315	315	200
	12	R 1/4 tap.	10.0	7.0	24	17.0	27	12	32	17	22	80	WE12LR1/4	315	315	
	12	R 1/2 tap.	10.0	11.0	28	21.0	34	14	36	19	22	89	WE12LR1/2	315	315	
	15	R 1/2 tap.	12.0	11.0	28	21.0	34	14	36	19	27	94	WE15LR	315	315	200
18	R 1/2 tap.	15.0	14.0	31	23.5	36	14	40	24	32	141	WE18LR	315	315	200	
S	06	R 1/4 tap.	4.0	4.0	23	16.0	26	12	31	12	17	56	WE06SR	400	400	250
	06	R 3/8 tap.	4.0	7.0	25	18.0	28	12	33	17	17	61	WE06SR3/8	400	400	
	08	R 1/4 tap.	5.0	5.0	24	17.0	27	12	32	14	19	73	WE08SR	400	400	250
	08	R 3/8 tap.	5.0	7.0	25	18.0	28	12	33	17	19	63	WE08SR3/8	400	400	
	10	R 3/8 tap.	7.0	7.0	25	17.5	28	12	34	17	22	104	WE10SR	400	400	250
	10	R 1/4 tap.	7.0	5.0	25	17.5	28	12	34	17	22	59	WE10SR1/4	400	400	
	10	R 1/2 tap.	7.0	10.0	30	22.5	32	14	39	19	22	98	WE10SR1/2	400	400	
	12	R 3/8 tap.	8.0	8.0	29	21.5	28	12	38	17	24	126	WE12SR	400	400	250
	12	R 1/2 tap.	8.0	11.0	30	22.5	32	14	39	19	24	97	WE12SR1/2	400	400	
	14	R 1/2 tap.	10.0	10.0	30	22.0	32	14	40	19	27	101	WE14SR	400	400	250
16	R 1/2 tap.	12.0	12.0	33	24.5	32	14	43	24	30	150	WE16SR	400	400	250	

Order code suffixes			
	Stainless Steel	Brass	Body Only
Suffix	71	MS	X
Example	WE12LR71	WE12LRMS	WE12LRX

WE-R - Male stud elbow

EO 24° cone end / Male BSPP thread – metal sealing edge (ISO 1179)

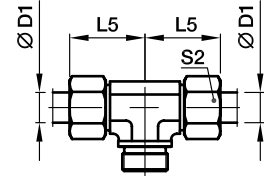
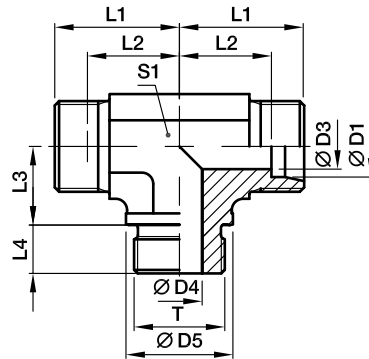


Series	Ø D1	T	D3	D4	D5	L1	L2	L3	L4	L5	S1	S2	Weight g/1 piece	Order code	PN (bar)		
															CF	71	MS
L	22	G 3/4 A	19	18	32	35	27.5	26	16	44	27	36	168	WE22LR	160	160	100
	28	G 1 A	24	23	39	38	30.5	30	18	47	36	41	305	WE28LR	160	160	100
	35	G 1 1/4 A	30	30	49	45	34.5	34	20	56	41	50	465	WE35LR	160	160	100
	42	G 1 1/2 A	36	36	55	51	40.0	39	22	63	50	60	706	WE42LR	160	160	100
S	20	G 3/4 A	16	16	32	37	26.5	26	16	48	27	36	210	WE20SR	400	400	250
	25	G 1 A	20	20	39	42	30.0	30	18	54	36	46	388	WE25SR	250	250	160
	30	G 1 1/4 A	25	25	49	49	35.5	34	20	62	41	50	630	WE30SR	160	160	100
	38	G 1 1/2 A	32	32	55	57	41.0	39	22	72	50	60	888	WE38SR	160	160	100

Order code suffixes			
	Stainless Steel	Brass	Body Only
Suffix	71	MS	X
Example	WE22LR71	WE22LRMS	WE22LRX

TE-M - Male stud branch tee

EO 24° cone end / Male metric thread – metal sealing edge (ISO 9974)

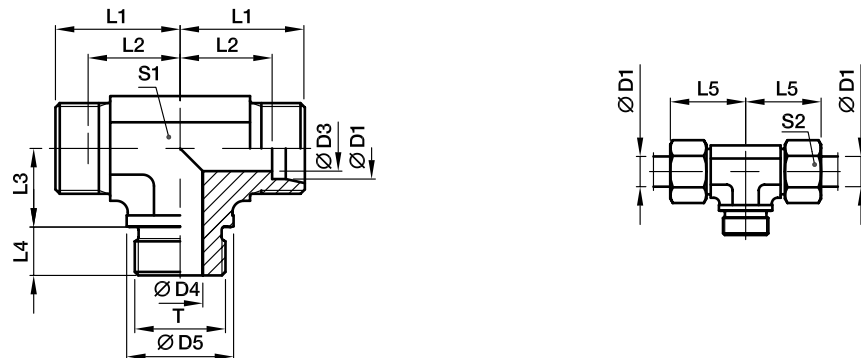


Series	Ø D1	T	D3	D4	D5	L1	L2	L3	L4	L5	S1	S2	Weight g/1 piece	Order code	PN (bar)	
															CF	71
L	22	M 26×1.5	19	18	31	35	27.5	26	16	44	27	36	208	TE22LM	160	160
	28	M 33×2.0	24	23	39	38	30.5	30	18	47	36	41	352	TE28LM	160	160
	35	M 42×2.0	30	30	49	45	34.5	34	20	56	41	50	554	TE35LM	160	160
	42	M 48×2.0	36	36	55	51	40.0	39	22	63	50	60	847	TE42LM	160	160
S	20	M 27×2.0	16	16	32	37	26.5	26	16	48	27	36	265	TE20SM	400	400
	25	M 33×2.0	20	20	39	42	30.0	30	18	54	36	46	482	TE25SM	250	250
	30	M 42×2.0	25	25	49	49	35.5	34	20	62	41	50	772	TE30SM	160	160
	38	M 48×2.0	32	32	55	57	41.0	39	22	72	50	60	1121	TE38SM	160	160

Order code suffixes			
	Stainless Steel		Body Only
Suffix	71		X
Example	TE22LM71		TE22LMX

TE-R - Male stud branch tee

EO 24° cone end / Male BSPP thread – metal sealing edge (ISO 1179)

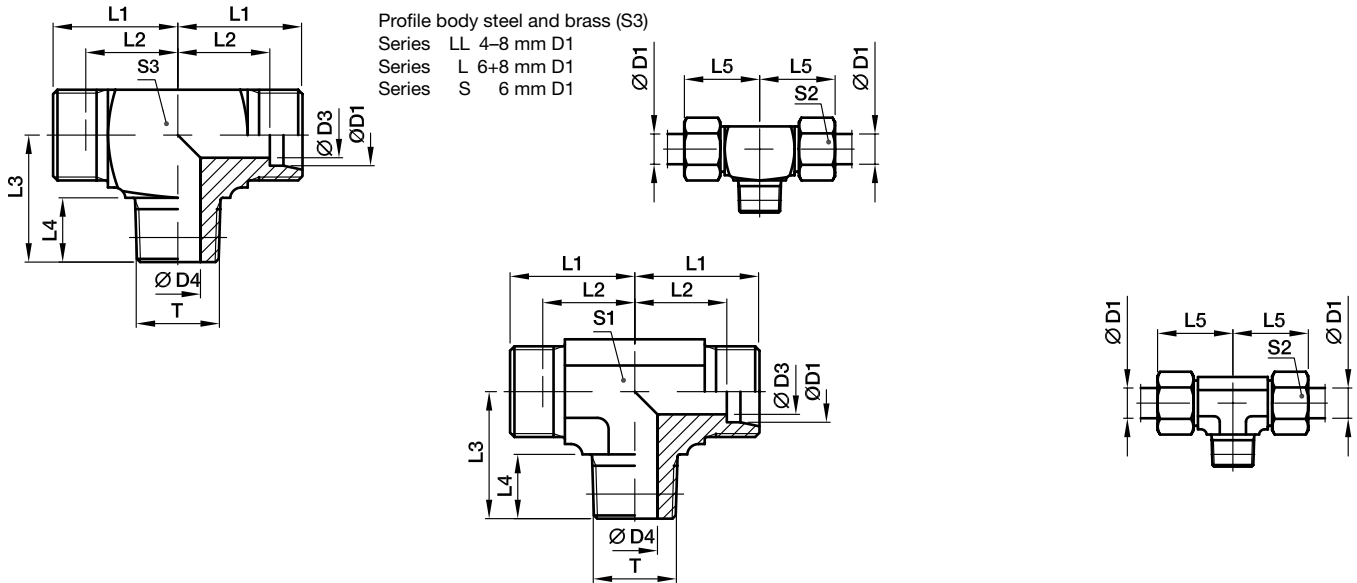


Series	Ø D1	T	D3	D4	D5	L1	L2	L3	L4	L5	S1	S2	Weight g/1 piece	Order code	PN (bar)		
															CF	71	MS
L	22	G 3/4 A	19	18	32	35	27.5	26	16	44	27	36	208	TE22LR	160	160	100
	28	G 1 A	24	23	39	38	30.5	30	18	47	36	41	378	TE28LR	160	160	100
	35	G 1 1/4 A	30	30	49	45	34.5	34	20	56	41	50	554	TE35LR	160	160	100
	42	G 1 1/2 A	36	36	55	51	40.0	39	22	63	50	60	847	TE42LR	160	160	100
S	20	G 3/4 A	16	16	32	37	26.5	26	16	48	27	36	267	TE20SR	400	400	250
	25	G 1 A	20	20	39	42	30.0	30	18	54	36	46	485	TE25SR	250	250	
	30	G 1 1/4 A	25	25	49	49	35.5	34	20	62	41	50	762	TE30SR	160	160	
	38	G 1 1/2 A	32	32	55	57	41.0	39	22	72	50	60	1121	TE38SR	160	160	

Order code suffixes			
	Stainless Steel	Brass	Body Only
Suffix	71	MS	X
Example	TE22LR71	TE22LRMS	TE22LRX

TE-R (KEG) - Male stud branch tee

EO 24° cone end / Male short BSP taper thread (DIN 3852-2, type C)

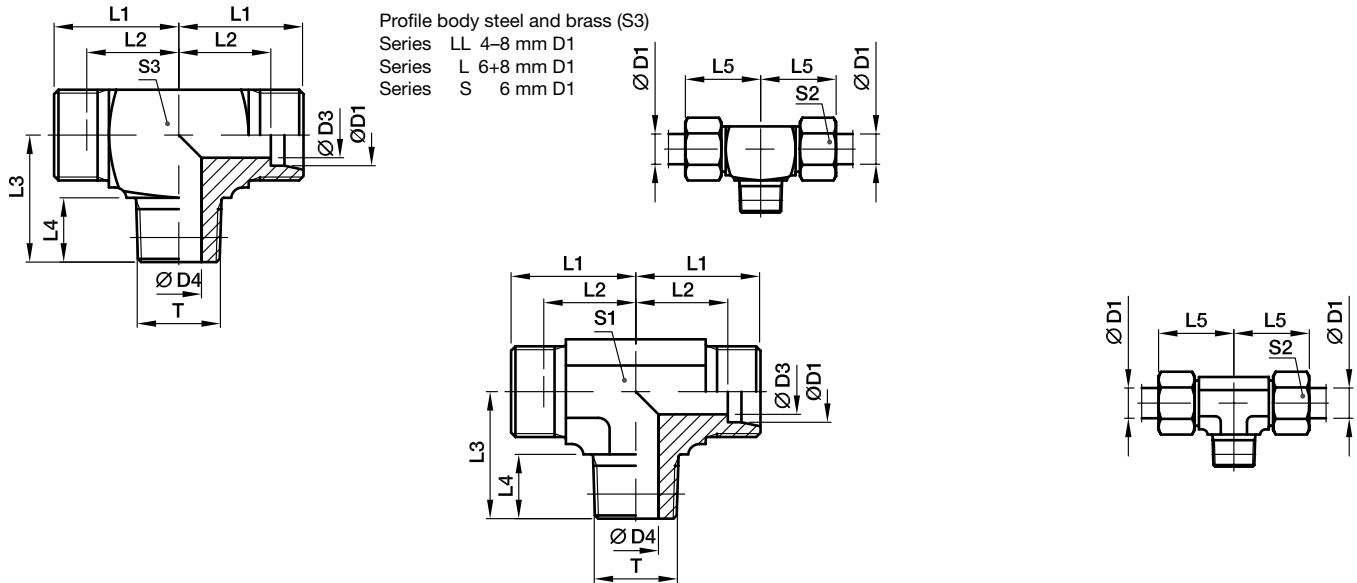


Series	Ø D1	T	D3	D4	L1	L2	L3	L4	L5	S1	S2	S3	Weight g/1 piece	Order code	PN (bar)		
															CF	71	MS
LL	04	R 1/8 tap.	3.0	4.0	15	11.0	17	8	21	9	10	11	21	TE04LLR	100	100	63
	06	R 1/8 tap.	4.5	4.5	15	9.5	17	8	21	9	12	11	21	TE06LLR	100	100	63
	08	R 1/8 tap.	6.0	6.0	17	11.5	20	8	23	12	14	12	29	TE08LLR	100	100	63
L	06	R 1/8 tap.	4.0	4.0	19	12.0	20	8	27	14	14	12	38	TE06LR	315	315	200
	08	R 1/4 tap.	6.0	6.0	21	14.0	26	12	29	12	17	14	58	TE08LR	315	315	200
	10	R 1/4 tap.	8.0	7.0	22	15.0	27	12	30	14	19		43	TE10LR	315	315	200
	12	R 3/8 tap.	10.0	9.0	24	17.0	28	12	32	17	22		61	TE12LR	315	315	200
	15	R 1/2 tap.	12.0	11.0	28	21.0	34	14	36	19	27		113	TE15LR	315	315	200
	18	R 1/2 tap.	15.0	14.0	31	23.5	36	14	40	24	32		149	TE18LR	315	315	200
S	06	R 1/4 tap.	4.0	4.0	23	16.0	26	12	31	12	17	14	73	TE06SR	400	400	250
	08	R 1/4 tap.	5.0	5.0	24	17.0	27	12	32	14	19		61	TE08SR	400	400	250
	10	R 3/8 tap.	7.0	7.0	25	17.5	28	12	34	17	22		82	TE10SR	400	400	250
	12	R 3/8 tap.	8.0	8.0	29	21.5	28	12	38	17	24		105	TE12SR	400	400	250
	14	R 1/2 tap.	10.0	10.0	30	22.0	32	14	40	19	27		134	TE14SR	400	400	250
	16	R 1/2 tap.	12.0	12.0	33	24.5	32	14	43	24	30		175	TE16SR	400	400	250

Order code suffixes			
	Stainless Steel	Brass	Body Only
Suffix	71	MS	X
Example	TE12LR71	TE12LRMS	TE12LRX

TE-M(KEG) - Male stud branch tee

EO 24° cone end / Male short metric taper thread (DIN 3852-1, type C)

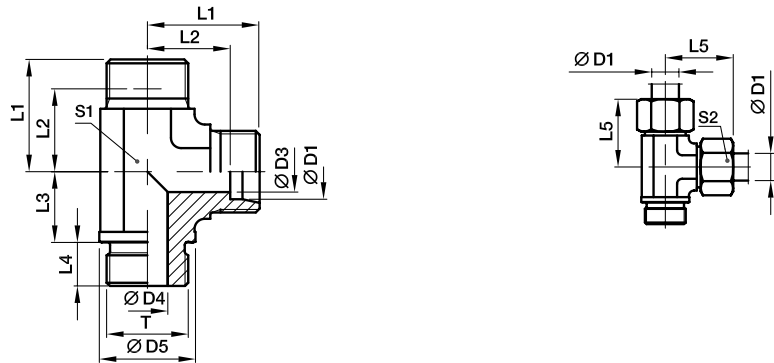


Series	Ø D1	T	D3	D4	L1	L2	L3	L4	L5	S1	S2	S3	Weight g/1 piece	Order code	PN (bar)	
															CF	71
LL	04	M 08×1.0 tap.	3.0	3.5	15	11.0	17	8	21	9	10	9	17	TE04LLM	100	100
	06	M 10×1.0 tap.	4.5	4.5	15	9.5	17	8	21	9	12	11	20	TE06LLM	100	100
	08	M 10×1.0 tap.	6.0	6.0	17	11.5	20	8	23	12	14	12	29	TE08LLM	100	100
L	06	M 10×1.0 tap.	4.0	4.0	19	12.0	20	8	27	12	14	12	38	TE06LM	315	315
	08	M 12×1.5 tap.	6.0	6.0	21	14.0	26	12	29	12	17	14	54	TE08LM	315	315
	10	M 14×1.5 tap.	8.0	7.0	22	15.0	27	12	30	14	19		45	TE10LM	315	315
	12	M 16×1.5 tap.	10.0	9.0	24	17.0	28	12	32	17	22		60	TE12LM	315	315
	15	M 18×1.5 tap.	12.0	11.0	28	21.0	32	12	36	19	27		100	TE15LM	315	315
	18	M 22×1.5 tap.	15.0	14.0	31	23.5	36	14	40	24	32		149	TE18LM	315	315
S	06	M 12×1.5 tap.	4.0	4.0	23	16.0	26	12	31	12	17	14	69	TE06SM	400	400
	08	M 14×1.5 tap.	5.0	5.0	24	17.0	27	12	32	14	19		98	TE08SM	400	400
	10	M 16×1.5 tap.	7.0	7.0	25	17.5	28	12	34	17	22		82	TE10SM	400	400
	12	M 18×1.5 tap.	8.0	8.0	29	21.5	28	12	38	17	24		106	TE12SM	400	400
	14	M 20×1.5 tap.	10.0	10.0	30	22.0	32	14	40	19	27		126	TE14SM	400	400
	16	M 22×1.5 tap.	12.0	12.0	33	24.5	32	14	43	24	30		177	TE16SM	400	400

Order code suffixes			
	Stainless Steel		Body Only
Suffix	71		X
Example	TE12LM71		TE12LMX

LE-M - Male stud run tee

EO 24° cone end / Male metric thread – metal sealing edge (ISO 9974)

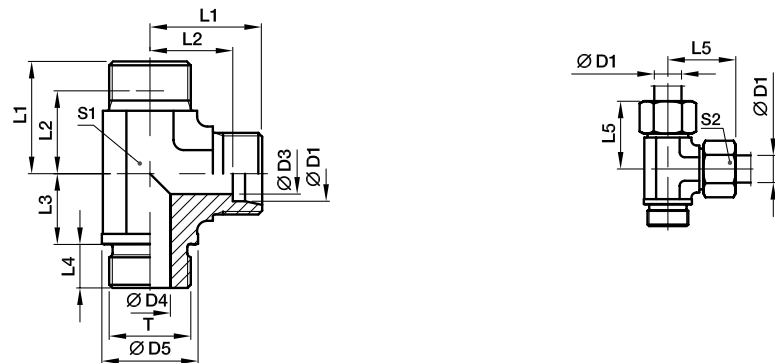


Series	Ø D1	T	D3	D4	D5	L1	L2	L3	L4	L5	S1	S2	Weight g/1 piece	Order code	PN (bar)	
															CF	71
L	22	M 26×1.5	19	18	31	35	27.5	26	16	44	27	36	225	LE22LM	160	160
	28	M 33×2.0	24	23	39	38	30.5	30	18	47	36	41	382	LE28LM	160	160
	35	M 42×2.0	30	30	49	45	34.5	34	20	56	41	50	583	LE35LM	160	160
	42	M 48×2.0	36	36	55	51	40.0	39	22	63	50	60	821	LE42LM	160	160
S	20	M 27×2.0	16	16	32	37	26.5	26	16	48	27	36	264	LE20SM	400	400
	25	M 33×2.0	20	20	39	42	30.0	30	18	54	36	46	497	LE25SM	250	250
	30	M 42×2.0	25	25	49	49	35.5	34	20	62	41	50	744	LE30SM	160	160
	38	M 48×2.0	32	32	55	57	41.0	39	22	72	50	60	1111	LE38SM	160	160

Order code suffixes			
	Stainless Steel		Body Only
Suffix	71		X
Example	LE22LM71		LE22LMX

LE-R - Male stud run tee

EO 24° cone end / Male BSPP thread – metal sealing edge (ISO 1179)

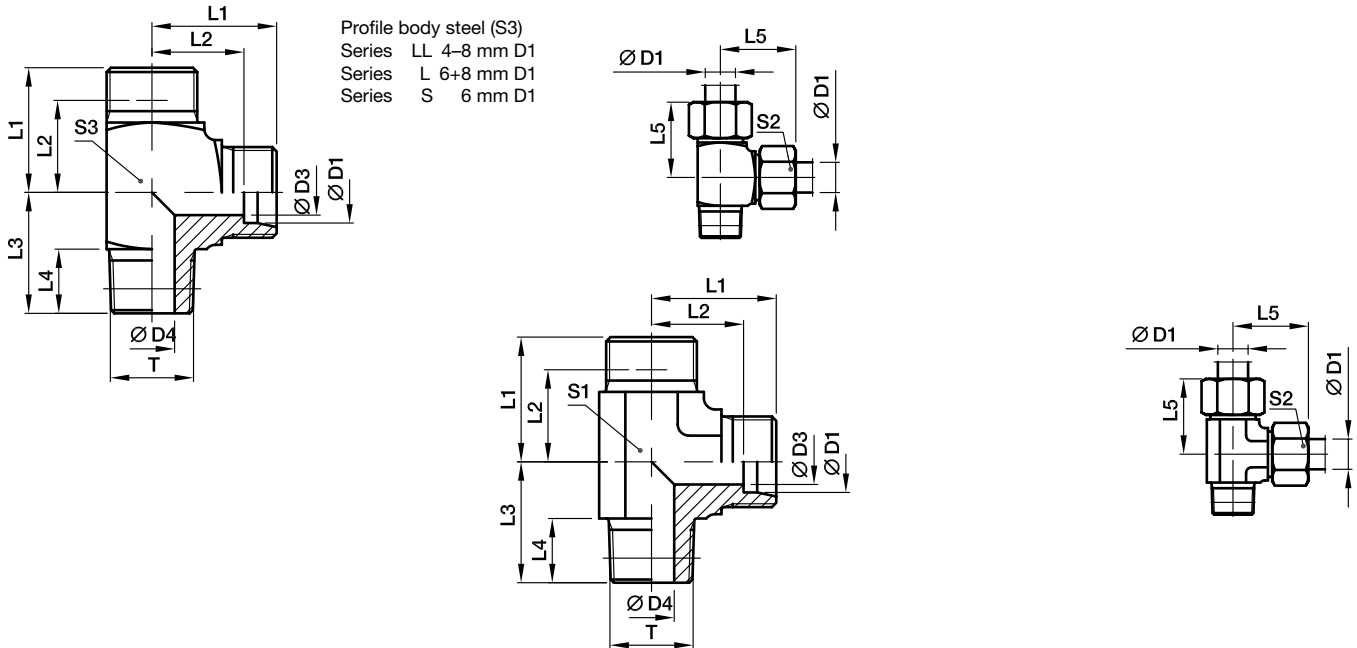


Series	Ø D1	T	D3	D4	D5	L1	L2	L3	L4	L5	S1	S2	Weight g/1 piece	Order code	PN (bar)	
															CF	71
L	22	G 3/4 A	19	18	32	35	27.5	26	16	44	27	36	225	LE22LR	160	160
	28	G 1 A	24	23	39	38	30.5	30	18	47	36	41	358	LE28LR	160	160
	35	G 1 1/4 A	30	30	49	45	34.5	34	20	56	41	50	583	LE35LR	160	160
	42	G 1 1/2 A	36	36	55	51	40.0	39	22	63	50	60	821	LE42LR	160	160
S	20	G 3/4 A	16	16	32	37	26.5	26	16	48	27	36	259	LE20SR	400	400
	25	G 1 A	20	20	39	42	30.0	30	18	54	36	46	495	LE25SR	250	250
	30	G 1 1/4 A	25	25	49	49	35.5	34	20	62	41	50	744	LE30SR	160	160
	38	G 1 1/2 A	32	32	55	57	41.0	39	22	72	50	60	1111	LE38SR	160	160

Order code suffixes			
	Stainless Steel		Body Only
Suffix	71		X
Example	LE22LR71		LE22LRX

LE-R (KEG) - Male stud run tee

EO 24° cone end / Male short BSP taper thread (DIN 3852-2, type C)

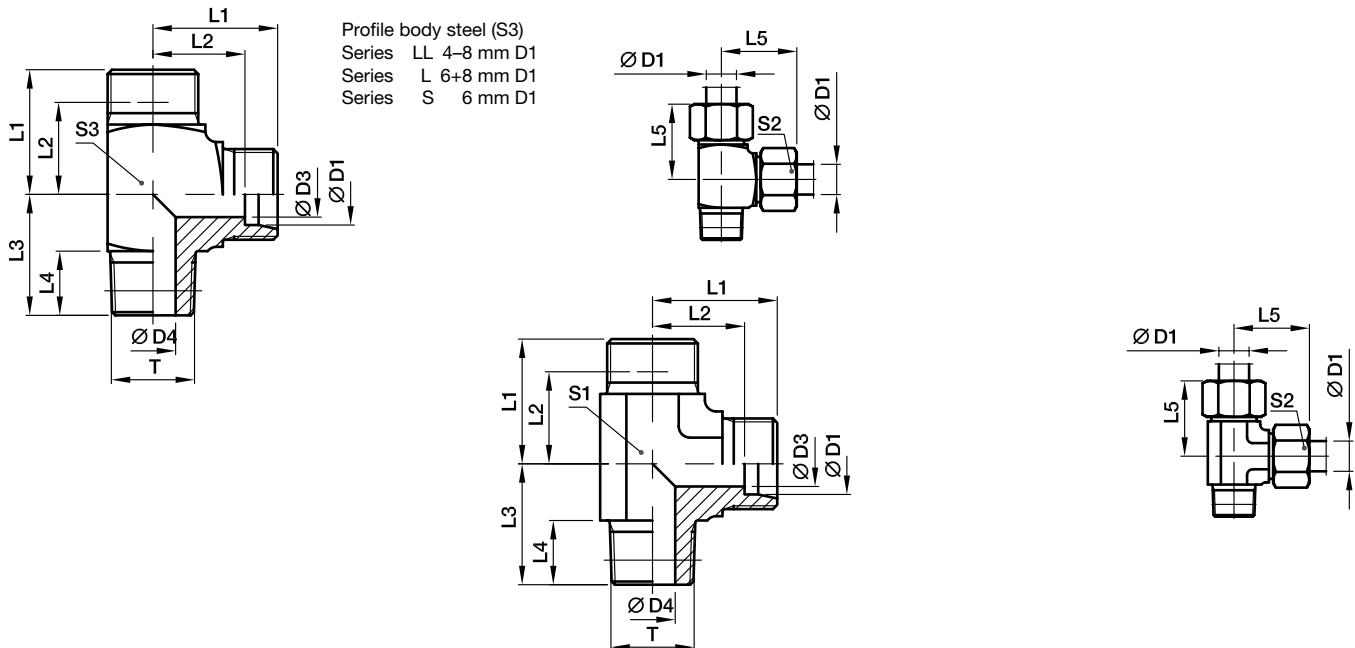


Series	Ø D1	T	D3	D4	L1	L2	L3	L4	L5	S1	S2	S3	Weight g/1 piece	Order code	PN (bar)	
															CF	71
LL	04	R 1/8 tap.	3.0	4.0	15	11.0	17	8	21	9	10	11	20	LE04LLR	100	100
	06	R 1/8 tap.	4.5	4.5	15	9.5	17	8	21	9	12	11	21	LE06LLR	100	100
	08	R 1/8 tap.	6.0	6.0	17	11.5	20	8	23	12	14	12	28	LE08LLR	100	100
L	06	R 1/8 tap.	4.0	4.0	19	12.0	20	8	27	12	14	12	40	LE06LR	315	315
	08	R 1/4 tap.	6.0	6.0	21	14.0	26	12	29	12	17	14	57	LE08LR	315	315
	10	R 1/4 tap.	8.0	7.0	22	15.0	27	12	30	14	19		50	LE10LR	315	315
	12	R 3/8 tap.	10.0	9.0	24	17.0	28	12	32	17	22		60	LE12LR	315	315
	15	R 1/2 tap.	12.0	11.0	28	21.0	34	14	36	19	27		115	LE15LR	315	315
	18	R 1/2 tap.	15.0	14.0	31	23.5	36	14	40	24	32		145	LE18LR	315	315
S	06	R 1/4 tap.	4.0	4.0	23	16.0	26	12	31	12	17	14	71	LE06SR	400	400
	08	R 1/4 tap.	5.0	5.0	24	17.0	27	12	32	14	19		62	LE08SR	400	400
	10	R 3/8 tap.	7.0	7.0	25	17.5	28	12	34	17	22		82	LE10SR	400	400
	12	R 3/8 tap.	8.0	8.0	29	21.5	28	12	38	17	24		102	LE12SR	400	400
	14	R 1/2 tap.	10.0	10.0	30	22.0	32	14	40	19	27		130	LE14SR	400	400
	16	R 1/2 tap.	12.0	12.0	33	24.5	32	14	43	24	30		193	LE16SR	400	400

Order code suffixes			
	Stainless Steel		Body Only
Suffix	71		X
Example	LE12LR71		LE12LRX

LE-M(KEG) Male stud run tee

EO 24° cone end / Male short metric taper thread (DIN 3852-1, Form C)

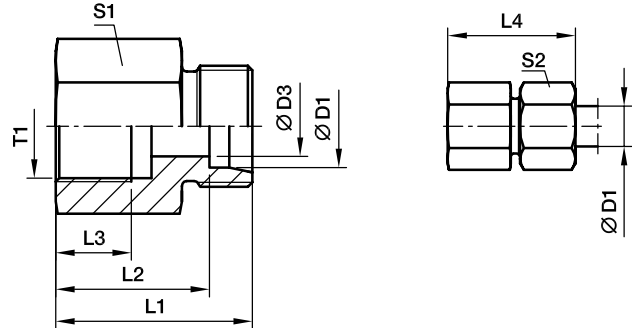


Series	Ø D1	T	D3	D4	L1	L2	L3	L4	L5	S1	S2	S3	Weight g/1 piece	Order code	PN (bar)	
															CF	71
LL	04	M 08×1.0 tap.	3.0	3.5	15	11.0	17	8	21	9	10	9	17	LE04LLM	100	100
	06	M 10×1.0 tap.	4.5	4.5	15	9.5	17	8	21	9	12	11	21	LE06LLM	100	100
	08	M 10×1.0 tap.	6.0	6.0	17	11.5	20	8	23	12	14	12	29	LE08LLM	100	100
L	06	M 10×1.0 tap.	4.0	4.0	19	12.0	20	8	27	12	14	12	38	LE06LM	315	315
	08	M 12×1.5 tap.	6.0	6.0	21	14.0	26	12	29	12	17	14	56	LE08LM	315	315
	10	M 14×1.5 tap.	8.0	7.0	22	15.0	27	12	30	14	19		47	LE10LM	315	315
	12	M 16×1.5 tap.	10.0	9.0	24	17.0	28	12	32	17	22		58	LE12LM	315	315
	15	M 18×1.5 tap.	12.0	11.0	28	21.0	32	12	36	19	27		98	LE15LM	315	315
	18	M 22×1.5 tap.	15.0	14.0	31	23.5	36	14	40	24	32		156	LE18LM	315	315
S	06	M 12×1.5 tap.	4.0	4.0	23	16.0	26	12	31	12	17	14	70	LE06SM	400	400
	08	M 14×1.5 tap.	5.0	5.0	24	17.0	27	12	32	14	19		66	LE08SM	400	400
	10	M 16×1.5 tap.	7.0	7.0	25	17.5	28	12	34	17	22		123	LE10SM	400	400
	12	M 18×1.5 tap.	8.0	8.0	29	21.5	28	12	38	17	24		169	LE12SM	400	400
	14	M 20×1.5 tap.	10.0	10.0	30	22.0	32	14	40	19	27		174	LE14SM	400	400
	16	M 22×1.5 tap.	12.0	12.0	33	24.5	32	14	43	24	30		178	LE16SM	400	400

Order code suffixes			
	Stainless Steel		Body Only
Suffix	71		X
Example	LE12LR71		LE12LRX

GAI-M - Female connector

Female metric thread (ISO 9974-1) / EO 24° cone end

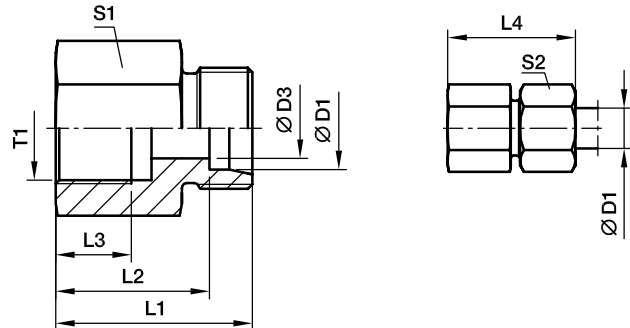


Series	Ø D1	T1	D3	L1	L2	L3	L4	S1	S2	Weight g/1 piece	Order code	PN (bar)	
												CF	71
L	06	M 10×1.0	4	26.5	19.5	8.0	34	14	14	18	GAI06LM	315	315
	08	M 12×1.5	6	31.0	24.0	12.0	39	17	17	32	GAI08LM	315	315
	10	M 14×1.5	8	32.0	25.0	12.0	40	19	19	39	GAI10LM	315	315
	12	M 16×1.5	10	33.0	26.0	12.0	41	22	22	52	GAI12LM	315	315
	15	M 18×1.5	12	35.0	28.0	12.0	43	24	27	68	GAI15LM	315	315
	18	M 22×1.5	15	37.0	29.5	14.0	46	30	32	111	GAI18LM	315	315
	22	M 26×1.5	19	42.0	34.5	16.0	51	32	36	123	GAI22LM	160	160
	28	M 33×2.0	24	45.0	37.5	18.0	54	41	41	211	GAI28LM	160	160
	35	M 42×2.0	30	51.0	40.5	20.0	62	55	50	459	GAI35LM	160	160
	42	M 48×2.0	36	53.0	42.0	22.0	65	60	60	522	GAI42LM	160	160
S	06	M 12×1.5	4	33.0	26.0	12.0	41	17	17	35	GAI06SM	400	400
	08	M 14×1.5	5	33.0	26.0	12.0	41	17	19	42	GAI08SM	400	400
	10	M 16×1.5	7	34.0	26.5	12.0	43	22	22	58	GAI10SM	400	400
	12	M 18×1.5	8	35.0	27.5	12.0	44	24	24	70	GAI12SM	400	400
	14	M 20×1.5	10	39.0	31.0	14.0	49	27	27	95	GAI14SM	400	400
	16	M 22×1.5	12	39.0	30.5	14.0	49	30	30	114	GAI16SM	400	400
	20	M 27×2.0	16	45.0	34.5	16.0	56	36	36	189	GAI20SM	315	315
	25	M 33×2.0	20	49.0	37.0	18.0	61	41	46	235	GAI25SM	315	315
	30	M 42×2.0	25	55.0	41.5	20.0	68	55	50	490	GAI30SM	315	315
	38	M 48×2.0	32	59.0	43.0	22.0	74	60	60	597	GAI38SM	250	250

Order code suffixes			
	Stainless Steel		Body Only
Suffix	71		X
Example	GAI12LM71		GAI12LMX

GAI-R - Female connector

Female BSPP thread (ISO 1179-1) / EO 24° cone end

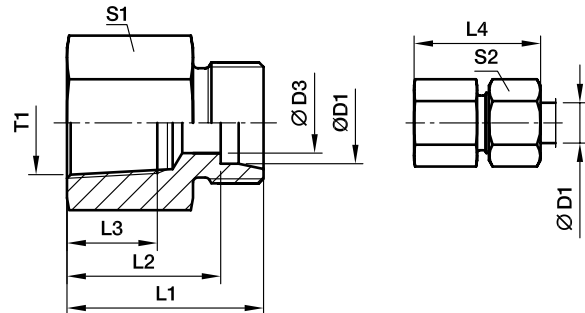


Series	Ø D1	T1	D3	L1	L2	L3	L4	S1	S2	Weight g/1 piece	Order code	PN (bar)		
												CF	71	MS
L	06	G 1/8	4	26.0	19.0	8.0	34	14	14	18	GAI06LR	315	315	200
	06	G 1/4	4	31.0	24.0	12.0	39	19	14	39	GAI06LR1/4	315	315	200
	08	G 1/4	6	31.0	24.0	12.0	39	19	17	39	GAI08LR	315	315	200
	08	G 3/8	6	32.0	25.0	12.0	40	24	17	61	GAI08LR3/8	315	315	200
	08	G 1/2	6	36.0	29.0	14.0	44	27	17	80	GAI08LR1/2	315	315	200
	10	G 1/4	8	32.0	25.0	12.0	40	19	19	40	GAI10LR	315	315	200
	10	G 3/8	8	33.0	26.0	12.0	41	24	19	63	GAI10LR3/8	315	315	200
	10	G 1/2	8	37.0	30.0	14.0	45	27	19	81	GAI10LR1/2	315	315	200
	12	G 3/8	10	33.0	26.0	12.0	41	24	22	64	GAI12LR	315	315	200
	12	G 1/2	10	37.0	30.0	14.0	45	27	22	83	GAI12LR1/2	315	315	200
	15	G 1/2	12	38.0	31.0	14.0	46	27	27	87	GAI15LR	315	315	200
	18	G 1/2	15	38.0	30.5	14.0	47	27	32	89	GAI18LR	315	315	200
	18	G 3/8	15	34.0	26.5	12.0	43	27	32	95	GAI18LR3/8	315	315	200
	22	G 3/4	19	43.0	35.5	16.0	52	36	36	173	GAI22LR	160	160	100
	28	G 1	24	45.5	38.0	18.0	55	41	41	211	GAI28LR	160	160	100
	35	G 1 1/4	30	51.5	41.0	20.0	63	55	50	469	GAI35LR	160	160	100
42	G 1 1/2	36	53.5	42.5	22.0	65	60	60	540	GAI42LR	160	160	100	
S	06	G 1/4	4	33.0	26.0	12.0	41	19	17	43	GAI06SR	400	400	
	08	G 1/4	5	33.0	26.0	12.0	41	19	19	47	GAI08SR	400	400	
	10	G 3/8	7	34.0	26.5	12.0	43	24	22	68	GAI10SR	400	400	
	12	G 3/8	8	34.0	26.5	12.0	43	24	24	71	GAI12SR	400	400	
	12	G 1/2	8	38.0	30.5	14.0	47	30	24	121	GAI12SR1/2	400	400	
	14	G 1/2	10	40.0	32.0	14.0	50	30	27	125	GAI14SR	400	400	
	16	G 1/2	12	40.0	31.5	14.0	50	30	30	126	GAI16SR	400	400	
	20	G 3/4	16	45.0	34.5	16.0	56	36	36	196	GAI20SR	315	315	
	25	G 1	20	49.5	37.5	18.0	62	41	46	246	GAI25SR	315	315	
	30	G 1 1/4	25	55.5	42.0	22.0	69	55	50	537	GAI30SR	315	315	
38	G 1 1/2	32	59.5	43.5	22.0	74	60	60	649	GAI38SR	250	250		

Order code suffixes			
	Stainless Steel	Brass	Body Only
Suffix	71	MS	X
Example	GAI12LR71	GAI12LRMS	GAI12LRX

GAI-NPT - Female connector

Female NPT thread (SAE 476) / EO 24° cone end

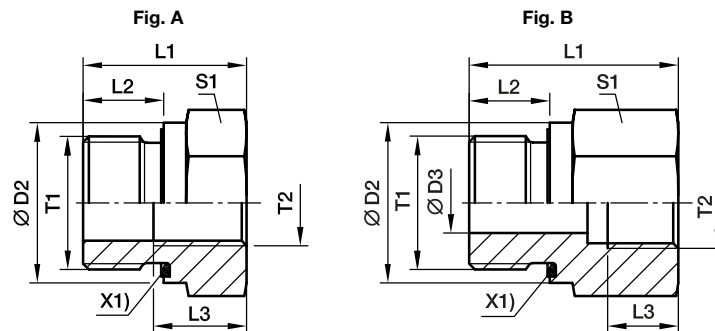


Series	Ø D1	T1	D3	L1	L2	L3	L4	S1	S2	Weight g/1 piece	Order code	PN (bar)	
												CF	71
L	06	1/8-27 NPT	4	26.0	19.0	11.6	34	14	14	19	GAI06L1/8NPT	315	315
	06	1/4-18 NPT	4	30.5	23.5	16.4	38	19	14	38	GAI06L1/4NPT	315	315
	08	1/4-18 NPT	6	30.5	23.5	16.4	38	19	17	39	GAI08L1/4NPT	315	315
	10	1/4-18 NPT	8	31.0	24.0	16.4	39	19	19	40	GAI10L1/4NPT	315	315
	12	3/8-18 NPT	10	34.0	27.0	17.4	42	24	22	69	GAI12L3/8NPT	315	315
	12	1/2-14 NPT	10	39.0	32.0	22.6	47	27	22	91	GAI12L1/2NPT	315	315
	15	1/2-14 NPT	12	40.0	33.0	22.6	48	27	27	96	GAI15L1/2NPT	315	315
	18	1/2-14 NPT	15	40.0	32.5	22.6	49	27	32	99	GAI18L1/2NPT	315	315
	22	3/4-14 NPT	19	43.0	35.5	23.1	52	36	36	184	GAI22L3/4NPT	160	160
	28	1-11.5 NPT	24	48.0	40.5	27.8	57	41	41	238	GAI28L1NPT	160	160
	35	1 1/4-11.5 NPT	30	51.0	40.5	28.3	62	55	50	424	GAI35L11/4NPT	160	160
	42	1 1/2-11.5 NPT	36	53.0	42.0	28.3	65	60	60	547	GAI42L11/2NPT	160	160
S	06	1/8-27 NPT	4	29.0	22.0	11.6	36	14	17	25	GAI06S1/8NPT	400	400
	06	1/4-18 NPT	4	33.0	26.0	16.4	41	19	17	41	GAI06S1/4NPT	400	400
	08	1/4-18 NPT	5	33.0	26.0	16.4	41	19	19	42	GAI08S1/4NPT	400	400
	10	3/8-18 NPT	7	35.0	27.0	17.4	44	24	22	74	GAI10S3/8NPT	400	400
	12	1/4-18 NPT	8	32.5	25.0	16.4	41	22	24	81	GAI12S1/4NPT	400	400
	12	3/8-18 NPT	8	35.0	27.5	17.4	44	24	24	76	GAI12S3/8NPT	400	400
	12	1/2-14 NPT	8	41.0	33.5	22.6	50	27	24	101	GAI12S1/2NPT	400	400
	14	1/2-14 NPT	10	43.0	35.0	22.6	53	27	27	108	GAI14S1/2NPT	400	400
	16	1/2-14 NPT	12	43.0	34.5	22.6	50	27	30	111	GAI16S1/2NPT	400	400
	20	1/2-14 NPT	16	44.0	33.5	22.6	55	32	36	129	GAI20S1/2NPT	315	315
	20	3/4-14 NPT	16	46.0	35.5	23.1	57	36	36	214	GAI20S3/4NPT	315	315
	25	1-11.5 NPT	20	53.0	41.0	27.8	65	41	46	288	GAI25S1NPT	315	315
	30	1 1/4-11.5 NPT	25	57.0	43.5	28.3	70	55	50	559	GAI30S11/4NPT	315	315
	38	1 1/2-11.5 NPT	32	59.0	43.0	28.3	74	60	60	632	GAI38S11/2NPT	250	250

Order code suffixes			
	Stainless Steel		Body Only
Suffix	71		X
Example	GAI16S1/2NPT71		GAI16S1/2NPTX

RI-ED - Thread reducer/expander

Male BSPP thread – ED-seal (ISO 1179) / Female BSPP thread (ISO 1179-1)



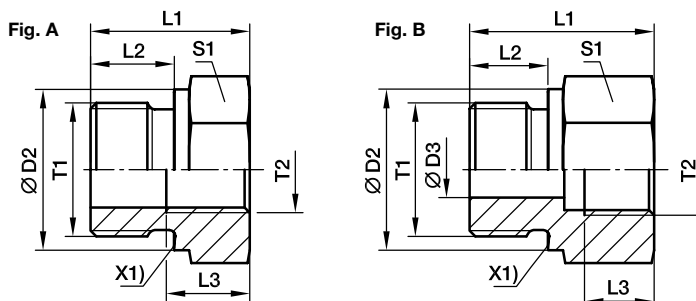
X1) Eolastic-sealing ED

Male Stud T1	Female Stud T2	D2	D3	L1	L2	L3	S1	Fig.	Weight g/1 piece	Order code	PN (bar)	
											CF	71
G 1/8 A	G 1/4	14	4	31.0	8	12.0	19	B	41	RI1/8EDX1/4	400	400
G 1/8 A	G 3/8	14	4	32.0	8	12.0	24	B	63	RI1/8EDX3/8	400	400
G 1/4 A	G 1/8	19	5	29.0	12	8.0	19	B	41	RI1/4EDX1/8	400	400
G 1/4 A	G 3/8	19	5	36.0	12	12.0	24	B	69	RI1/4EDX3/8	400	400
G 1/4 A	G 1/2	19	5	40.0	12	14.0	30	B	120	RI1/4EDX1/2	400	400
G 1/4 A	G 3/4	19	5	43.0	12	16.0	36	B	171	RI1/4EDX3/4	400	400
G 3/8 A	G 1/8	22		22.5	12	8.0	22	A	38	RI3/8EDX1/8	400	400
G 3/8 A	G 1/4	22	8	36.0	12	12.0	22	B	68	RI3/8EDX1/4	400	400
G 3/8 A	G 1/2	22	8	41.0	12	14.0	30	B	124	RI3/8EDX1/2	400	400
G 3/8 A	G 3/4	22	8	44.0	12	16.0	36	B	182	RI3/8EDX3/4	315	315
G 1/2 A	G 1/8	27		24.0	14	8.0	27	A	65	RI1/2EDX1/8	400	400
G 1/2 A	G 1/4	27		24.0	14	12.0	27	A	56	RI1/2EDX1/4	400	400
G 1/2 A	G 3/8	27	12	37.0	14	12.0	27	B	95	RI1/2EDX3/8	400	400
G 1/2 A	G 3/4	27	12	46.0	14	16.0	36	B	183	RI1/2EDX3/4	315	315
G 1/2 A	G 1	27	12	49.0	14	18.0	41	B	232	RI1/2EDX1	315	315
G 1/2 A	G 1 1/4	27	10	53.0	14	20.0	55	B	481	RI1/2EDX11/4	315	315
G 3/4 A	G 1/4	32		26.0	16	12.0	32	A	103	RI3/4EDX1/4	315	315
G 3/4 A	G 3/8	32		26.0	16	12.0	32	A	86	RI3/4EDX3/8	315	315
G 3/4 A	G 1/2	32	16	43.0	16	14.0	32	B	156	RI3/4EDX1/2	315	315
G 3/4 A	G 1	32	16	51.0	16	18.0	41	B	237	RI3/4EDX1	315	315
G 3/4 A	G 1 1/4	32	16	55.0	16	20.0	55	B	486	RI3/4EDX11/4	315	315
G 3/4 A	G 1 1/2	32	16	57.0	16	22.0	60	B	561	RI3/4EDX11/2	250	250
G 1 A	G 1/4	40		29.0	18	12.0	41	A	197	RI1EDX1/4	315	315
G 1 A	G 3/8	40		29.0	18	12.0	41	A	179	RI1EDX3/8	315	315
G 1 A	G 1/2	40		29.0	18	14.0	41	A	153	RI1EDX1/2	315	315
G 1 A	G 3/4	40	20	49.0	18	16.0	41	B	290	RI1EDX3/4	315	315
G 1 A	G 1 1/4	40	20	57.0	18	20.0	55	B	503	RI1EDX11/4	315	315
G 1 A	G 1 1/2	40	20	59.0	18	22.0	60	B	585	RI1EDX11/2	250	250
G 1 1/4 A	G 1/2	50		32.0	20	14.0	50	A	313	RI11/4EDX1/2	315	315
G 1 1/4 A	G 3/4	50		32.0	20	16.0	50	A	393	RI11/4EDX3/4	315	315
G 1 1/4 A	G 1	50	25	52.0	20	18.0	50	B	469	RI11/4EDX1	315	315
G 1 1/4 A	G 1 1/2	50	25	60.0	20	22.0	60	B	624	RI11/4EDX11/2	250	250
G 1 1/2 A	G 1/2	55		36.0	22	14.0	55	A	470	RI11/2EDX1/2	250	250
G 1 1/2 A	G 3/4	55		36.0	22	16.0	55	A	415	RI11/2EDX3/4	250	250
G 1 1/2 A	G 1	55		36.0	22	18.0	55	A	338	RI11/2EDX1	250	250
G 1 1/2 A	G 1 1/4	55	32	58.0	22	20.0	55	B	542	RI11/2EDX11/4	250	250
G 2 A	G 1 1/2	75	40	65.0	24	22.0	75	B	1309	RI2EDX11/2	160	

Order code suffixes			
	Stainless Steel		
Suffix	71		
Example	RI3/4EDX171		

RI - Thread reducer/expander

Male BSPP thread – metal sealing edge (ISO 1179) / Female BSPP thread (ISO 1179-1)



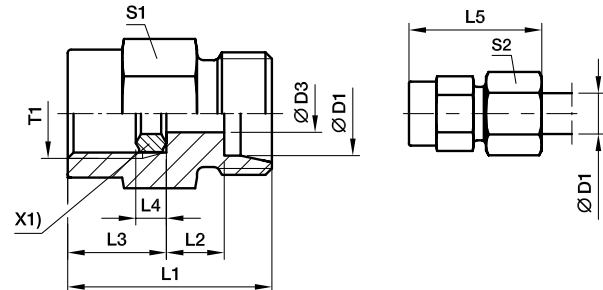
X1) metal sealing edge

Male Stud T1	Female Stud T2	D2	D3	L1	L2	L3	S1	Fig.	Weight g/1 piece	Order code	PN (bar)		
											CF	71	MS
G 1/8 A	G 1/4	14	4	31.0	8	12.0	19	B	42	RI1/8X1/4	400	400	250
G 1/8 A	G 3/8	14	4	32.0	8	12.0	24	B	63	RI1/8X3/8	400	400	250
G 1/4 A	G 1/8	18	5	28.0	12	8.0	19	B	38	RI1/4X1/8	400	400	250
G 1/4 A	G 3/8	18	5	36.0	12	12.0	24	B	69	RI1/4X3/8	400	400	250
G 1/4 A	G 1/2	18	5	40.0	12	14.0	30	B	116	RI1/4X1/2	400	400	250
G 1/4 A	G 3/4	18	5	43.0	12	16.0	36	B	170	RI1/4X3/4	315	315	200
G 3/8 A	G 1/8	22		22.5	12	8.0	22	A	39	RI3/8X1/8	400	400	250
G 3/8 A	G 1/4	22	8	36.0	12	12.0	22	B	68	RI3/8X1/4	400	400	250
G 3/8 A	G 1/2	22	8	41.0	12	14.0	30	B	125	RI3/8X1/2	400	400	250
G 3/8 A	G 3/4	22	8	44.0	12	16.0	36	B	183	RI3/8X3/4	315	315	200
G 1/2 A	G 1/8	26		24.0	14	8.0	27	A	66	RI1/2X1/8	400	400	250
G 1/2 A	G 1/4	26		24.0	14	12.0	27	A	56	RI1/2X1/4	315	315	200
G 1/2 A	G 3/8	26	12	37.0	14	12.0	27	B	94	RI1/2X3/8	315	315	200
G 1/2 A	G 3/4	26	12	46.0	14	16.0	36	B	182	RI1/2X3/4	315	315	200
G 1/2 A	G 1	26	12	49.0	14	18.0	41	B	221	RI1/2X1	315	315	200
G 1/2 A	G 1 1/4	26	10	53.0	14	20.0	55	B	482	RI1/2X11/4	160	160	
G 3/4 A	G 1/4	32		26.0	16	12.0	32	A	103	RI3/4X1/4	315	315	200
G 3/4 A	G 3/8	32		26.0	16	12.0	32	A	87	RI3/4X3/8	315	315	200
G 3/4 A	G 1/2	32	16	40.0	16	14.0	32	B	143	RI3/4X1/2	315	315	200
G 3/4 A	G 1	32	16	51.0	16	18.0	41	B	235	RI3/4X1	315	315	200
G 3/4 A	G 1 1/4	32	16	55.0	16	20.0	55	B	481	RI3/4X11/4	160	160	
G 3/4 A	G 1 1/2	32	16	57.0	16	22.0	60	B	560	RI3/4X11/2	160	160	
G 1 A	G 1/4	39		29.0	18	12.0	41	A	195	RI1X1/4	315	315	
G 1 A	G 3/8	39		29.0	18	12.0	41	A	179	RI1X3/8	315	315	200
G 1 A	G 1/2	39		29.0	18	14.0	41	A	157	RI1X1/2	315	315	200
G 1 A	G 3/4	39	20	47.0	18	16.0	41	B	278	RI1X3/4	315	315	200
G 1 A	G 1 1/4	39	20	57.0	18	20.0	55	B	530	RI1X11/4	160	160	100
G 1 A	G 1 1/2	39	20	59.0	18	22.0	60	B	585	RI1X11/2	160	160	100
G 1 1/4 A	G 1/2	49		32.0	20	14.0	50	A	308	RI11/4X1/2	160	160	100
G 1 1/4 A	G 3/4	49		32.0	20	16.0	50	A	267	RI11/4X3/4	160	160	100
G 1 1/4 A	G 1	49	25	52.0	20	18.0	50	B	458	RI11/4X1	160	160	100
G 1 1/4 A	G 1 1/2	49	25	60.0	20	22.0	60	B	616	RI11/4X11/2	160	160	100
G 1 1/2 A	G 1/2	55		36.0	22	14.0	55	A	477	RI11/2X1/2	160	160	100
G 1 1/2 A	G 3/4	55		36.0	22	16.0	55	A	402	RI11/2X3/4	160	160	100
G 1 1/2 A	G 1	55		36.0	22	18.0	55	A	337	RI11/2X1	160	160	100
G 1 1/2 A	G 1 1/4	55	32	58.0	22	20.0	55	B	542	RI11/2X11/4	160	160	100
G 2 A	G 1 1/2	68	40	62.0	24	22.0	70	B	990	RI2X11/2	160		

Order code suffixes			
	Stainless Steel		Brass
Suffix	71		MS
Example	RI1X3/471		RI1X3/4MS

MAV - Pressure gauge connector

Female BSPP thread / EO 24° cone end



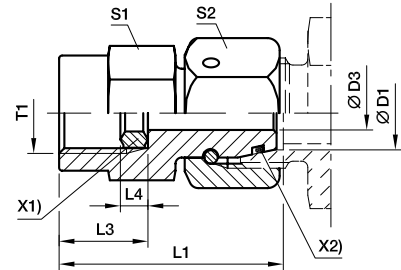
X1) Sealing-ring DK1

Series	Ø D1	T1	D3	L1	L2	L3	L4	L5	S1	S2	Weight g/1 piece	Order code	PN (bar)		
													CF	71	MS
LL	04	G 1/4	2.5	27	8.5	14.5	4.5	33	19	10	33	MAV04LLR	100		
L	06	G 1/4	2.5	29	7.5	14.5	4.5	37	19	14	37	MAV06LR	500	315	200
	08	G 1/4	5.5	29	7.5	14.5	4.5	37	19	17	38	MAV08LR	500	315	200
	10	G 1/4	5.5	30	8.5	14.5	4.5	38	19	19	41	MAV10LR	500	315	200
	12	G 1/4	5.5	30	8.5	14.5	4.5	38	19	22	43	MAV12LR	400	315	200
S	06	G 1/2	3.5	38	11.0	20.0	5.0	46	27	17	86	MAV06SR	630	630	400
	08	G 1/2	3.5	38	11.0	20.0	5.0	46	27	19	86	MAV08SR	630	630	400
	10	G 1/2	7.5	38	10.5	20.0	5.0	47	27	22	88	MAV10SR	630	630	400
	12	G 1/2	7.5	38	10.5	20.0	5.0	47	27	24	93	MAV12SR	630	630	400

Order code suffixes			
	Stainless Steel	Brass	Body Only
Suffix	71	MS	OMD
Example	MAV08LR71	MAV08LRMS	MAV08LRMD

MAVE - Pressure gauge swivel connector

Female BSPP thread / EO 24° DKO swivel



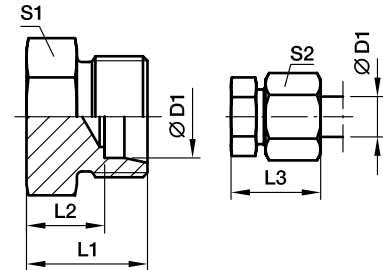
X1) Sealing-ring DK1
X2) O-ring OR

Series	Ø D1	T1	D3	L1	L3	L4	S1	S2	Weight g/1 piece	Order code	PN (bar) ¹⁾	
											CF	71
L	06	G 1/4	2.5	35.5	14.5	4.5	19	14	46	MAVE06LR	500	315
	08	G 1/4	4.0	35.5	14.5	4.5	19	17	52	MAVE08LR	500	315
	10	G 1/4	5.5	36.0	14.5	4.5	19	19	59	MAVE10LR	500	315
	12	G 1/4	5.5	36.0	14.5	4.5	19	22	70	MAVE12LR	400	315
S	06	G 1/2	2.5	42.5	20.0	5.0	27	17	95	MAVE06SR	630	630
	06	G 1/4	2.5	35.5	14.5	4.5	19	17	52	MAVE06SR1/4	630	630
	08	G 1/2	4.0	43.0	20.0	5.0	27	19	100	MAVE08SR	630	630
	08	G 1/4	4.0	35.5	14.5	4.5	19	19	58	MAVE08SR1/4	630	630
	10	G 1/2	6.0	43.5	20.0	5.0	27	22	109	MAVE10SR	630	630
	10	G 1/4	7.0	39.0	14.5	4.5	19	22	67	MAVE10SR1/4	630	630
	12	G 1/2	7.0	45.0	20.0	5.0	27	24	125	MAVE12SR	630	630
	12	G 1/4	7.0	39.0	14.5	4.5	19	24	83	MAVE12SR1/4	630	630

Order code suffixes			
	Stainless Steel		
Suffix	71		
Example	MAVE08LR71		

ROV - Blanking plug for tube ends

EO 24° cone end

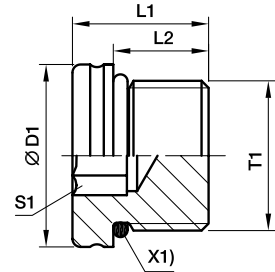


Series	Ø D1	L1	L2	L3	S1	S2	Weight g/1 piece	Order code	PN (bar)	
									CF	71
L	06	14	7.0	22	12	14	8	ROV06L	315	315
	08	15	8.0	23	14	17	13	ROV08L	315	315
	10	16	9.0	24	17	19	17	ROV10L	315	315
	12	17	10.0	25	19	22	24	ROV12L	315	315
	15	18	11.0	26	24	27	41	ROV15L	315	315
	18	19	11.5	28	27	32	56	ROV18L	315	315
	22	21	13.5	30	32	36	84	ROV22L	160	160
	28	22	14.5	31	41	41	138	ROV28L	160	160
	35	25	14.5	36	46	50	203	ROV35L	160	160
42	27	16.0	39	55	60	318	ROV42L	160	160	
S	06	18	11.0	26	14	17	17	ROV06S	630	630
	08	20	13.0	28	17	19	28	ROV08S	630	630
	10	20	12.5	29	19	22	33	ROV10S	630	630
	12	22	14.5	31	22	24	50	ROV12S	630	630
	14	24	16.0	34	24	27	62	ROV14S	630	630
	16	24	15.5	34	27	30	75	ROV16S	400	400
	20	28	17.5	39	32	36	125	ROV20S	400	400
	25	32	20.0	44	41	46	229	ROV25S	400	400
	30	34	20.5	47	46	50	310	ROV30S	400	400
	38	39	23.0	54	55	60	508	ROV38S	315	315

Order code suffixes			
	Stainless Steel		Body Only
Suffix	71		X
Example	ROV12L71		ROV12LX

VSTI M-OR - Blanking plug for ports

Male metric thread – O-ring (ISO 6149)



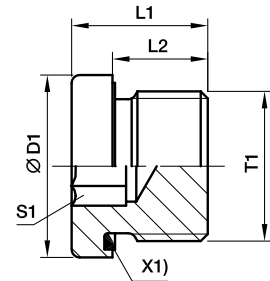
X1) O-ring OR

T1	D1	L1	L2	S1	Weight g/1 piece	Order code	PN (bar)
							CF
M 08×1.0	12	13.0	9.5	4	6	VSTI8X10R	630
M 10×1.0	13	13.5	9.5	5	8	VSTI10X10R	630
M 12×1.5	17	15.0	11.0	6	14	VSTI12X1.50R	630
M 14×1.5	19	16.0	11.0	6	20	VSTI14X1.50R	630
M 16×1.5	21	17.5	12.5	8	26	VSTI16X1.50R	630
M 18×1.5	23	19.0	14.0	8	37	VSTI18X1.50R	630
M 22×1.5	27	20.0	15.0	10	58	VSTI22X1.50R	630
M 26×1.5	31	21.0	16.0	12	77	VSTI26X1.50R	400
M 27×2.0	32	23.5	18.5	12	95	VSTI27X20R	400
M 33×2.0	38	25.0	18.5	14	148	VSTI33X20R	400
M 42×2.0	48	25.5	19.0	22	233	VSTI42X20R	400
M 48×2.0	55	28.0	21.5	24	336	VSTI48X20R	400

VSTI M/R-ED - Blanking plug for ports

Male metric thread – ED-seal (ISO 9974)

Male BSPP thread – ED-seal (ISO 1179)



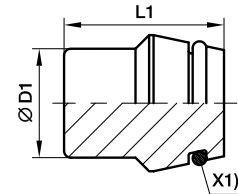
X1) Elastic-sealing ED

Male metric parallel thread T1	Male stud BSP thread T1	D1	L1	L2	S1	Weight g/1 piece	Order code	Order code	PN (bar)	
									CF	71
M 10×1.0	G 1/8 A	14.0	12.3	8	5	8	VSTI10X1ED	VSTI1/8ED	400	400
M 12×1.5		17.0	17.3	12	6	14	VSTI12X1.5ED		400	400
M 14×1.5	G 1/4 A	19.0	17.3	12	6	20	VSTI14X1.5ED	VSTI1/4ED	400	400
M 16×1.5	G 3/8 A	22.0	17.3	12	8	25	VSTI16X1.5ED	VSTI3/8ED	400	400
M 18×1.5		24.0	17.3	12	8	32	VSTI18X1.5ED		400	400
M 20×1.5		26.0	19.3	14	10	42	VSTI20X1.5ED		400	400
M 22×1.5	G 1/2 A	27.0	19.3	14	10	51	VSTI22X1.5ED	VSTI1/2ED	400	400
M 26×1.5		32.0	21.3	16	12	78	VSTI26X1.5ED		400	400
M 27×2.0	G 3/4 A	32.0	21.3	16	12	79	VSTI27X2ED	VSTI3/4ED	400	400
M 33×2.0	G 1 A	40.0	22.8	16	17	130	VSTI33X2ED	VSTI1ED	400	400
M 42×2.0	G 1 1/4 A	50.0	22.8	16	22	198	VSTI42X2ED	VSTI11/4ED	315	315
M 48×2.0	G 1 1/2 A	55.0	22.8	16	24	263	VSTI48X2ED	VSTI11/2ED	315	315

Order code suffixes			
	Stainless Steel		
Suffix	71		
Example	VSTI1/4ED71		

VKA - Blanking plug for cones

EO 24° DKO swivel



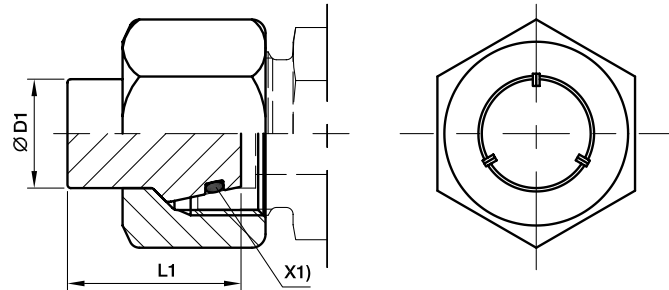
X1) O-ring OR

Series	Ø D1	L1	Weight g/1 piece	Order code	PN (bar)		
					CF	71	MS
L	06	18.5	6	VKA06	500	315	200
	08	18.5	9	VKA08	500	315	200
	10	20.0	15	VKA10	500	315	200
	12	20.5	21	VKA12	400	315	200
	15	20.5	32	VKA15	400	315	200
	18	22.5	49	VKA18	400	315	200
	22	25.0	80	VKA22	250	160	100
	28	25.5	131	VKA28	250	160	100
	35	30.0	240	VKA35	250	160	100
	42	30.0	343	VKA42	250	160	100
S	06	18.5	6	VKA06	800	630	400
	08	18.5	9	VKA08	800	630	400
	10	20.0	15	VKA10	800	630	400
	12	20.5	21	VKA12	630	630	400
	14	22.5	30	VKA14	630	630	400
	16	23.5	40	VKA16	630	400	250
	20	28.5	78	VKA20	420	400	250
	25	29.0	120	VKA25	420	400	250
	30	30.5	180	VKA30	420	400	250
	38	33.0	309	VKA38	420	315	200

Order code suffixes			
	Stainless Steel	Brass	
Suffix	71	MS	
Example	VKA1271	VKA12MS	

VKAM - Blanking plug with nut for cone

EO 24° DKO swivel



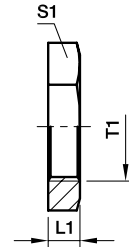
X1) O-ring OR

Series	Ø D1	L1	Weight g/1 piece	Order code	PN (bar)	
					CF	71
L	06	18.5	15	VKAM06L	500	315
	08	18.5	24	VKAM08L	500	315
	10	20.0	33	VKAM10L	500	315
	12	20.5	46	VKAM12L	400	315
	15	20.5	73	VKAM15L	400	315
	18	22.5	111	VKAM18L	400	315
	22	25.0	162	VKAM22L	250	160
	28	25.5	220	VKAM28L	250	160
	35	30.0	376	VKAM35L	250	160
	42	30.0	558	VKAM42L	250	160
S	06	18.5	23	VKAM06S	800	630
	08	18.5	29	VKAM08S	800	630
	10	20.0	46	VKAM10S	800	630
	12	20.5	55	VKAM12S	630	630
	14	22.5	83	VKAM14S	630	630
	16	23.5	106	VKAM16S	630	400
	20	28.5	180	VKAM20S	420	400
	25	29.0	322	VKAM25S	420	400
	30	30.5	398	VKAM30S	420	400
	38	33.0	647	VKAM38S	420	315

Order code suffixes			
	Stainless Steel		
Suffix	71		
Example	VKAM12L71		

GM - Locknut for bulk heads

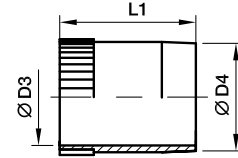
For bulkhead SV and WSV



Series	Tube O.D.	T1	L1	S1	Weight g/1 piece	Order code		
						Steel CF	Stainless Steel 71	Brass MS
L	06	M 12×1.5	6	17	7	GM06L	GM06L71	GM06LMS
	08	M 14×1.5	6	19	8	GM08L	GM08L71	GM08LMS
	10	M 16×1.5	6	22	11	GM10L	GM10L71	GM10LMS
	12	M 18×1.5	6	24	12	GM12L	GM12L71	GM12LMS
	15	M 22×1.5	7	30	23	GM15L	GM15L71	GM15LMS
	18	M 26×1.5	8	36	37	GM18L	GM18L71	GM18LMS
	22	M 30×2.0	8	41	46	GM22L	GM22L71	GM22LMS
	28	M 36×2.0	9	46	58	GM28L	GM28L71	GM28LMS
	35	M 45×2.0	9	55	71	GM35L	GM35L71	GM35LMS
	42	M 52×2.0	10	65	123	GM42L	GM42L71	GM42LMS
S	06	M 14×1.5	6	19	8	GM08L	GM08L71	GM06LMS
	08	M 16×1.5	6	22	11	GM10L	GM10L71	GM10LMS
	10	M 18×1.5	6	24	12	GM12L	GM12L71	GM12LMS
	12	M 20×1.5	6	27	15	GM12S	GM12S71	GM12SMS
	14	M 22×1.5	7	30	23	GM15L	GM15L71	GM15LMS
	16	M 24×1.5	7	32	24	GM16S	GM16S71	GM16SMS
	20	M 30×2.0	8	41	46	GM22L	GM22L71	GM22LMS
	25	M 36×2.0	9	46	58	GM28L	GM28L71	GM28LMS
	30	M 42×2.0	9	50	58	GM30S	GM30S71	GM30SMS
		38	M 52×2.0	10	65	123	GM42L	GM42L71

VH - Support sleeve

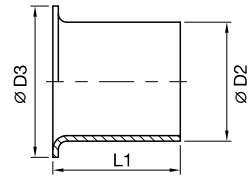
For thin-walled metal tubing



Tube I.D.	D3	D4	L1	Weight g/1 piece	Order code		
					Steel CF	Stainless Steel 71	Brass MS
4.00	2.6	3.8	14.0	0.7	VH04CFX	VH0471X	VH04MSX
4.50	3.1	4.3	14.0	0.8	VH04.5CFX	VH04.571X	VH04.5MSX
5.00	3.6	4.8	14.0	0.8	VH05CFX	VH0571X	VH05MSX
6.00	4.6	5.8	14.0	1.0	VH06CFX	VH0671X	VH06MSX
6.50	5.1	6.3	14.0	1.0	VH06.5CFX	VH06.571X	VH06.5MSX
7.00	5.6	6.8	15.5	1.3	VH07CFX	VH0771X	VH07MSX
8.00	6.6	7.8	15.5	1.6	VH08CFX	VH0871X	VH08MSX
9.00	7.6	8.8	15.5	1.8	VH09CFX	VH0971X	VH09MSX
10.00	8.6	9.8	15.5	2.1	VH10CFX	VH1071X	VH10MSX
10.05	8.6	9.8	15.5	2.1	VH10.05CFX	VH10.0571X	VH10.05MSX
10.50	9.1	10.3	15.5	2.3	VH10.5CFX	VH10.571X	VH10.5MSX
11.00	9.6	10.8	15.5	2.6	VH11CFX	VH1171X	VH11MSX
12.00	10.2	11.8	17.0	3.7	VH12CFX	VH1271X	VH12MSX
12.95	11.2	12.8	17.0	3.9	VH12.95CFX	VH12.9571X	VH12.95MSX
13.00	11.2	12.8	17.0	3.9	VH13CFX	VH1371X	VH13MSX
14.00	12.2	13.8	17.0	4.3	VH14CFX	VH1471X	VH14MSX
15.00	13.2	14.8	20.0	5.7	VH15CFX	VH1571X	VH15MSX
16.00	14.2	15.8	20.0	5.8	VH16.00CFX	VH16.0071X	VH16.00MSX
16.20	14.2	15.8	20.0	5.8	VH16CFX	VH1671X	VH16MSX
17.00	15.2	16.8	20.0	6.3	VH17CFX	VH1771X	VH17MSX
18.00	16.2	17.8	20.0	6.3	VH18CFX	VH1871X	VH18MSX
19.00	17.2	18.8	16.0	5.8	VH19CFX	VH1971X	VH19MSX
19.90	18.2	19.8	21.5	7.9	VH19.90CFX	VH19.9071X	VH19.90MSX
20.00	18.2	19.8	21.5	7.9	VH20CFX	VH2071X	VH20MSX
21.00	19.2	20.8	21.5	8.0	VH21CFX	VH2171X	VH21MSX
22.00	20.2	21.8	23.5	9.7	VH22CFX	VH2271X	VH22MSX
23.00	21.2	22.8	23.5	10.6	VH23CFX	VH2371X	VH23MSX
24.00	22.2	23.8	23.5	11.1	VH24CFX	VH2471X	VH24MSX
24.90	23.3	24.8	23.5	10.8	VH24.90CFX	VH24.9071X	VH24.90MSX
25.00	23.2	24.8	23.5	10.8	VH25CFX	VH2571X	VH25MSX
26.00	24.2	25.8	23.5	12.7	VH26CFX	VH2671X	VH26MSX
27.00	25.2	26.8	23.5	12.2	VH27CFX	VH2771X	VH27MSX
30.00	27.8	29.8	26.5	18.7	VH30CFX	VH3071X	VH30MSX
31.00	28.8	30.8	26.5	20.7	VH31CFX	VH3171X	VH31MSX
32.00	29.8	31.8	26.5	19.2	VH32CFX	VH3271X	VH32MSX
32.10	29.8	31.8	26.5	19.2	VH32.10CFX	VH32.1071X	VH32.10MSX
33.00	30.8	32.8	26.5	19.9	VH33CFX	VH3371X	VH33MSX
34.00	31.8	33.8	26.5	26.5	VH34CFX	VH3471X	VH34MSX
37.80	35.8	37.7	31.0	19.5	VH37.8CFX	VH37.871X	VH37.8MSX
38.00	35.8	37.8	21.0	19.7	VH38CFX	VH3871X	VH38MSX
39.00	36.8	38.8	21.0	19.5	VH39CFX	VH3971X	VH39MSX

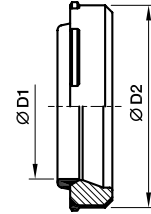
E - Tube/hose insert

for plastic tubing



Tube O.D.	Tube I.D.	D2	D3	L1	Weight g/1 piece	Order code Brass
04	2.0	2.0	3.5	8	1	E04/02X
04	2.5	2.5	4.0	8	1	E04/2.5X
05	3.0	3.0	5.0	14	1	E0506/03X
06	3.0	3.0	5.0	14	1	E0506/03X
05	4.0	4.0	5.0	14	1	E0506/04X
06	4.0	4.0	5.0	14	1	E0506/04X
08	4.0	4.0	6.6	14	1	E08/04X
06	5.0	5.0	6.0	14	1	E06/05X
08	5.0	5.0	6.0	14	1	E08/05X
10	6.0	6.0	8.0	15	1	E0810/06X
08	6.0	6.0	8.0	15	1	E0810/06X
10	8.0	8.0	10.0	15	1	E10/08X
12	8.0	8.0	12.0	15	2	E12/08X
12	9.0	9.0	12.0	15	2	E12/09X
12	10.0	10.0	12.0	15	2	E1215/10X
15	12.0	12.0	14.8	15	3	E15/12X
15	12.5	12.5	14.8	15	3	E1516/12.5X
16	12.5	12.5	14.8	15	3	E1516/12.5X
18	14.0	14.0	17.8	15	4	E18/14X
18	16.0	16.0	17.8	20	4	E1820/16X
20	16.0	16.0	17.8	20	4	E1820/16X
22	18.0	18.0	21.8	16	5	E22/18X

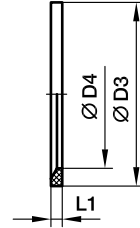
DOZ - EO-2 Soft sealing ring



Series	Ø D1	D2	Weight g/1 piece	Order code			
				Steel NBR	Steel FKM	Stainless Steel FKM	Stainless Steel NBR
LL	04	6.8	1	DOZ04LL			
	06	8.8	1	DOZ06LL			
L	06	10.3	1	DOZ06L	DOZ06LVIT	DOZ06L71	DOZ06LNBR71
	08	12.3	1	DOZ08L	DOZ08LVIT	DOZ08L71	DOZ08LNBR71
	10	14.3	2	DOZ10L	DOZ10LVIT	DOZ10L71	DOZ10LNBR71
	12	16.3	2	DOZ12L	DOZ12LVIT	DOZ12L71	DOZ12LNBR71
	15	20.3	3	DOZ15L	DOZ15LVIT	DOZ15L71	DOZ15LNBR71
	18	24.3	5	DOZ18L	DOZ18LVIT	DOZ18L71	DOZ18LNBR71
	22	27.7	6	DOZ22L	DOZ22LVIT	DOZ22L71	DOZ22LNBR71
	28	33.7	7	DOZ28L	DOZ28LVIT	DOZ28L71	DOZ28LNBR71
	35	42.7	14	DOZ35L	DOZ35LVIT	DOZ35L71	DOZ35LNBR71
	42	49.7	17	DOZ42L	DOZ42LVIT	DOZ42L71	DOZ42LNBR71
S	06	12.3	2	DOZ06S	DOZ06SVIT	DOZ06S71	DOZ06SNBR71
	08	14.3	2	DOZ08S	DOZ08SVIT	DOZ08S71	DOZ08SNBR71
	10	16.3	3	DOZ10S	DOZ10SVIT	DOZ10S71	DOZ10SNBR71
	12	18.3	4	DOZ12S	DOZ12SVIT	DOZ12S71	DOZ12SNBR71
	14	20.3	4	DOZ14S	DOZ14SVIT	DOZ14S71	DOZ14SNBR71
	16	22.3	5	DOZ16S	DOZ16SVIT	DOZ16S71	DOZ16SNBR71
	20	27.7	9	DOZ20S	DOZ20SVIT	DOZ20S71	DOZ20SNBR71
	25	33.7	13	DOZ25S	DOZ25SVIT	DOZ25S71	DOZ25SNBR71
	30	39.7	18	DOZ30S	DOZ30SVIT	DOZ30S71	DOZ30SNBR71
	38	49.7	27	DOZ38S	DOZ38SVIT	DOZ38S71	DOZ38SNBR71

ED - Eolastic soft seal (for BSPP and metric parallel threads)

For Type: GE...ED, EGE...ED, EVGE...ED, EW...ED, EV...ED, ET...ED, EL...ED, VSTI...ED, RI...ED



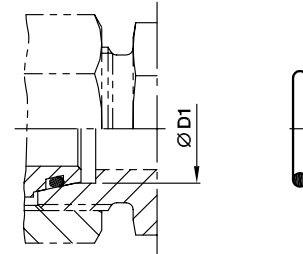
Male stud metric thread T1	Male stud BSP thread T1	D3	D4	L1	Weight g/1 piece	Order code NBR	Order code FKM
M 08×1.0		9.9	6.5	1.0	0.1	ED8X1X	ED8X1VITX
M 10×1.0	G 1/8 A	11.9	8.4	1.0	0.1	ED10X1X	ED10X1VITX
M 12×1.5		14.4	9.8	1.5	0.2	ED12X1.5X	ED12X1.5VITX
M 14×1.5	G 1/4 A	16.5	11.6	1.5	0.2	ED14X1.5X	ED14X1.5VITX
M 16×1.5		18.9	13.8	1.5	0.1	ED16X1.5X	ED16X1.5VITX
	G 3/8 A	18.9	14.7	1.5	0.2	ED3/8X	ED3/8VITX
M 18×1.5		20.9	15.7	1.5	0.1	ED18X1.5X	ED18X1.5VITX
M 20×1.5		22.9	17.8	1.5	0.2	ED20X1.5X	ED20X1.5VITX
	G 1/2 A	23.9	18.5	1.5	0.3	ED1/2X	ED1/2VITX
M 22×1.5		24.3	19.6	1.5	0.2	ED22X1.5X	ED22X1.5VITX
M 26×1.5	G 3/4 A	29.2	23.9	1.5	0.4	ED26X1.5X	ED26X1.5VITX
M 27×2.0	G 3/4 A	29.2	23.9	1.5	0.4	ED26X1.5X	ED26X1.5VITX
M 33×2.0	G 1 A	35.7	29.7	2.0	0.7	ED33X2X	ED33X2VITX
M 42×2.0	G 1 1/4 A	45.8	38.8	2.0	0.9	ED42X2X	ED42X2VITX
M 48×2.0	G 1 1/2 A	50.7	44.7	2.0	1.0	ED48X2X	ED48X2VITX

DIN fittings
 Rotary fittings
 Valves
 Weld fittings
 Test points

OR - O-Ring for fittings with EO 24° DKO swivel

For Type:

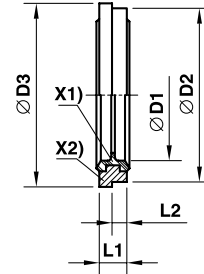
DA, EGE, EGEO, MAVE, EW, EV, ET, EL, RED, GZ, GZR, VKA, VKAM



Series	Ø D1	O-ring NBR Shore-hardness approx. 90	O-ring FKM Shore-hardness approx. 90
L	6	OR4.5X1.5X	OR4.5X1.5VITX
	8	OR6.5X1.5X	OR6.5X1.5VITX
	10	OR8.5X1.5X	OR8X1.5VITX
	12	OR10.5X1.5X	OR10X1.5VITX
	15	OR12.5X2X	OR12X2VITX
	18	OR16X2X	OR15X2VITX
	22	OR20X2X	OR20X2VITX
	28	OR26X2X	OR26X2VITX
	35	OR32X2.5X	OR32X2.5VITX
	42	OR39X2.5X	OR38X2.5VITX
S	6	OR4.5X1.5X	OR4.5X1.5VITX
	8	OR6.5X1.5X	OR6.5X1.5VITX
	10	OR8.5X1.5X	OR8X1.5VITX
	12	OR10.5X1.5X	OR10X1.5VITX
	14	OR12X2X	OR12X2VITX
	16	OR14X2X	OR13X2VITX
	20	OR17X2.5X	OR16.3X2.4VITX
	25	OR22X2.5X	OR20.3X2.4VITX
	30	OR27X2.5X	OR25.3X2.4VITX
	38	OR35X2.5X	OR33.3X2.4VITX

KDS - Soft sealing ring for banjo fittings SWVE, WH and TH from steel

for small and wide spot faces of ports



X1) NBR sealing
X2) Supporting-ring (Steel)

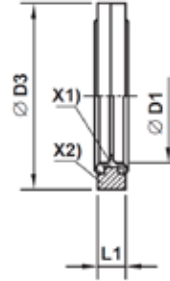
Male stud metric thread	Male stud BSPP thread	D1	D2	D3	L1	L2	Weight g/1 piece	Order code
								Steel/NBR
M 10×1.0	G 1/8 A	10.3	14.9	16.0	2.5	1.1	2	KDS10X
M 12×1.5		12.3	17.0	18.0	3.0	1.6	2	KDS12X
M 14×1.5	G 1/4 A	14.3	18.9	20.0	3.0	1.6	2	KDS14X
M 16×1.5	G 3/8 A	17.0	21.9	24.0	3.0	2.1	3	KDS16X
M 18×1.5		18.3	23.9	23.9	3.0		4	KDS18X
M 22×1.5	G 1/2 A	22.3	26.9	30.0	4.5	2.6	7	KDS22X
M 26×1.5		26.3	31.9	35.0	3.5	2.6	7	KDS26X
M 27×2.0	G 3/4 A	27.3	32.9	38.0	3.5	2.6	8	KDS27X
M 33×2.0	G 1 A	33.6	39.9	42.0	3.5	2.6	10	KDS33X
M 42×2.0	G 1 1/4 A	42.4	49.9	49.9	3.5		12	KDS42X
M 48×2.0	G 1 1/2 A	48.4	55.9	60.0	3.5	2.6	16	KDS48X

DKI - Sealing ring for pressure gauge connectors

Female thread	D1	D2	L1	Weight g/1 piece	Order code	
					Steel CF	Stainless Steel 71
G 1/4	6	11.3	4.5	2.5	DKI1/4	DKI1/471X
G 1/2	12	18.5	5.0	5.0	DKI1/2	DKI1/271X

KD - Soft sealing ring for banjo fittings WH/TH from stainless steel

for wide spot faces of ports

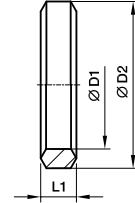


X1) Vulcanized FKM Seal
X2) Supporting-ring (Stainless Steel 316L)

Metric thread parallel	BSP thread parallel	D1	D3	L1	Weight g/1 piece	Order code Stainless steel FKM
M 10×1.0	G 1/8 A	10.3	17.0	2.5	3	KD10-1/8SS
M 12×1.5		12.3	22.0	3.0	5	KD12SS
M 14×1.5	G 1/4 A	14.3	22.0	3.0	5	KD14-1/4SS
M 16×1.5	G 3/8 A	17.0	27.0	3.0	6	KD16-3/8SS
M 18×1.5		18.3	29.0	3.0	8	KD18SS
M 22×1.5	G 1/2 A	22.3	32.0	4.5	12	KD22-1/2SS
M 26×1.5		26.3	41.0	3.5	18	KD26SS
M 27×2.0	G 3/4 A	27.3	41.0	3.5	19	KD27-3/4SS
M 33×2.0	G 1 A	33.6	46.0	3.5	18	KD33-1SS
M 42×2.0	G 1 1/4 A	42.4	57.0	3.5	26	KD42-11/4SS
M 48×2.0	G 1 1/2 A	48.4	64.0	3.5	35	KD48-11/2SS

DKAZ - Sealing ring

for low pressure banjos DSVW



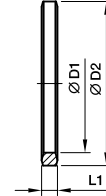
For DSVW		Metric thread parallel	D1	D2	L1	Weight g/1 piece	Order code Steel CF
06LM		M 10×1.0	10.1	14	3.2	2	DKAZ10
08LM	06SM	M 12×1.5	12.1	17	4.2	3	DKAZ12
10LM	08SM	M 14×1.5	14.1	19	4.5	4	DKAZ14
12LM	10SM	M 16×1.5	16.1	21	4.5	4	DKAZ16
15LM	12SM	M 18×1.5	18.1	23	4.5	5	DKAZ18
	14SM	M 20×1.5	20.1	25	4.5	5	DKAZ20
18LM	16SM	M 22×1.5	22.1	27	4.5	6	DKAZ22
22LM		M 26×1.5	26.1	31	4.5	7	DKAZ26
	20SM	M 27×2.0	27.1	32	5.0	8	DKAZ27
28LM	25SM	M 33×2.0	33.1	39	6.0	15	DKAZ33
35LM	30SM	M 42×2.0	42.1	49	6.5	22	DKAZ11/4
42LM	38SM	M 48×2.0	48.1	55	6.5	25	DKAZ11/2

For DSVW		BSPP thread parallel	D1	D2	L1	Weight g/1 piece	Order code Steel CF
06LR		G 1/8 A	9.8	14	3.2	2	DKAZ1/8
08LR/10LR	06SR/08SR	G 1/4 A	13.3	18	4.5	4	DKAZ1/4
12LR	10SR/12SR	G 3/8 A	16.8	22	4.5	5	DKAZ3/8
15LR/18LR	14SR/16SR	G 1/2 A	21.1	26	5.0	6	DKAZ1/2
22LR	20SR	G 3/4 A	26.6	32	5.0	11	DKAZ3/4
28LR	25SR	G 1 A	33.4	39	6.0	14	DKAZ1
35LR	30SR	G 1 1/4 A	42.1	49	6.5	22	DKAZ11/4
42LR	38SR	G 1 1/2 A	48.1	55	6.5	25	DKAZ11/2

DIN fittings
 Rotary fittings
 Valves
 Weld fittings
 Test points

DKA - Sealing ring

for banjo fittings WH/TH and SWVE



BSPB thread	D1	D2	L1	Weight g/1 piece	Order code	
					Steel CF	Stainless Steel 71
G 1/8 A	9.8	14	2.5	1	DKA1/8	DKA1/871X
G 1/4 A	13.3	18	3.0	3	DKA1/4	DKA1/471X
G 3/8 A	16.8	22	3.0	3	DKA3/8	DKA3/871X
G 1/2 A	21.1	26	4.5	6	DKA1/2X4.5	DKA1/2X4.571X
G 3/4 A	26.6	32	3.5	6	DKA3/4	DKA3/471X
G 1 A	33.4	39	3.5	8	DKA1	DKA171X
G 1 1/4 A	42.1	49	3.5	12	DKA11/4	DKA11/471X
G 1 1/2 A	48.1	55	3.5	15	DKA11/2	DKA11/271X

Male stud metric thread	D1	D2	L1	Weight g/1 piece	Order code	
					Steel CF	Stainless Steel 71
M 08x1.0	8.1	12	2.5	1	DKA08	
M 10x1.0	10.1	14	3.0	1	DKA10	DKA1071X
M 12x1.5	12.1	17	3.0	2	DKA12	DKA1271X
M 14x1.5	14.1	19	3.0	3	DKA14	DKA1471X
M 16x1.5	16.1	21	3.0	3	DKA16	DKA1671X
M 18x1.5	18.1	23	3.0	3	DKA18	DKA1871X
M 20x1.5	20.1	25	3.0	4	DKA20	DKA2071X
M 22x1.5	22.1	27	4.5	6	DKA22X4.5	DKA22X4.571X
M 26x1.5	26.1	31	3.5	6	DKA26X3.5	DKA26X3.571X
M 27x2.0	27.1	32	3.5	6	DKA27	DKA2771X
M 33x2.0	33.1	39	3.5	8	DKA33	DKA3371X
M 42x2.0	42.1	49	3.5	12	DKA11/4	DKA11/471X
M 48x2.0	48.1	55	3.5	15	DKA11/2	DKA11/271X

DG Ball bearing rotary fittings

For working pressures up to 350 bar.
Favourable pressure/RPM ratio

Application:

Connecting a fixed point to a rotating, swinging or moving machine part via hoses.
To prevent torsion and to avoid small hose radius.

Flow media:

Hydraulic oils and lubricants on mineral oil base.
Also for hydraulic fluids HETG and HEES.
Not suitable for corrosive and HFC-fluids or gases.

Construction:

Compact, maintenance-free construction, service-proved. Combined ball and plain bearing with constant lubrication. Low starting torque. Wear-resistant annular piston sealings.

Materials:

Casing, body nut of steel, annular piston sealing: POM (e. g. Delrin)/FKM. Eolastic sealing: NBR (e.g. Perbunan), also available in FKM.

Surface:

Cr(VI)-free.

Nominal temperatures:

-14° C up to +80°C.

Warehousing:

Ball bearing rotary fittings can be stocked for 6 months.
Warehousing up to 1 year is possible with storage conditions acc. to DIN 7716.

Perbunan = registered trademark of Bayer

Construction systems:

8 different versions with one rotational axis. Multiaxial rotary couplings on request. Tube connections according to DIN 2353, series S.

Maximum working pressure 350 bar (peak pressure)
Male stud sealing by Eolastic seals of NBR.
Male stud with metric parallel or BSPP thread.

Assembly instructions:

The life of a rotary fitting depends considerably on a stress-free line connection. Therefore the direct connection with tubes is to be avoided.

For connection of hoses the use of swivel nut fittings (DIN 3865) is recommended.

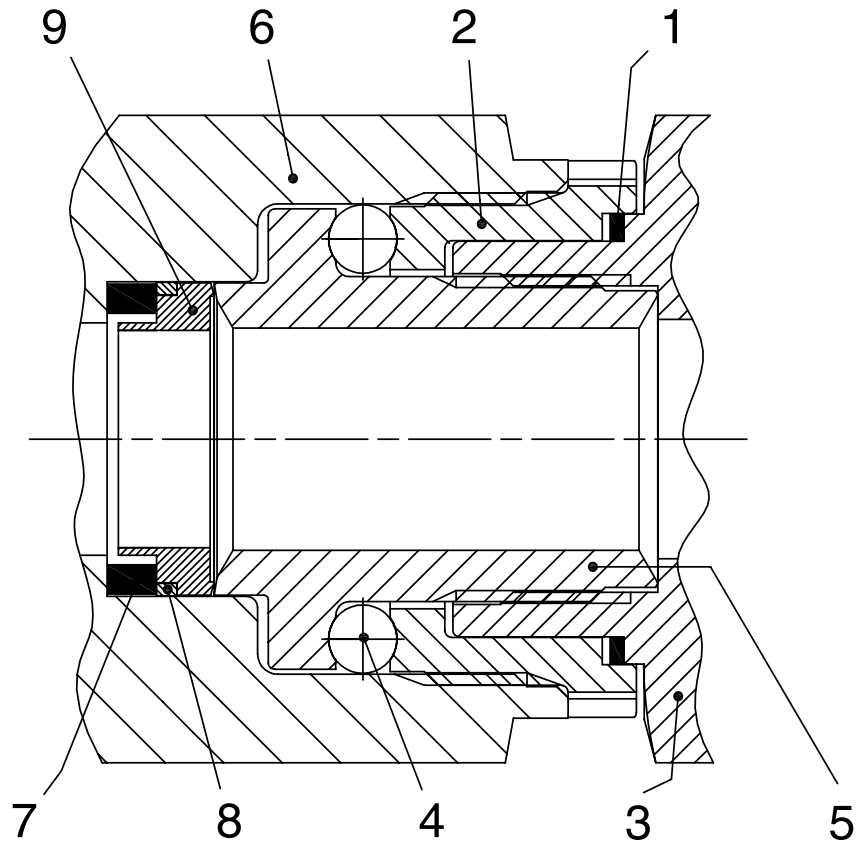
We recommend short, straight hose lines (free hose length approx. 5× hose O.D.). Thus shocks, vibrations etc. are absorbed.

Number of revolutions and starting torques:

Chart 1

Tube O.D.	DN Nominal diameter (mm)	Permissible number of revolutions (rpm.) under a working pressure of						Initial torque at 250 bar/Nm
		25 bar	64 bar	100 bar	160 bar	250 bar	350 bar	
6 8	5.0	1500	750	400	200	85	85	0.08
12 16	9.5	800	400	200	100	45	45	0.24
20 25	16.0	300	150	75	38	15	15	0.8
30 38	26.0	200	100	50	25	10	10	2.0

DG Ball bearing rotary fittings



position	specification
1	dust seal
2	raceway
3	top
4	ball
5	pivot
6	base
7	rubber spring
8	intermediate ring
9	ring piston

Plain bearing rotary fittings

for slow rotating, swinging or moving machine parts up to 40 bar (series L) or up to 100 bar (series S).

Application:

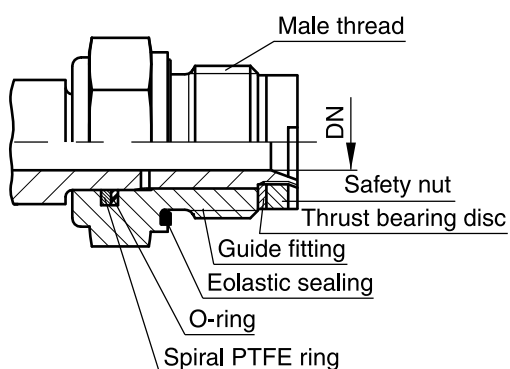
Connecting a fixed point to a rotating, swinging or moving machine part via hoses.
To prevent torsion and to avoid small hose radius.

Flow media:

Hydraulic oils and lubricants on mineral oil base.
Also for hydraulic fluids HETG and HEES.
Not suitable for corrosive and HFC-fluids or gases.

Nominal temperature:

For sealings of NBR:
-35° C up to +100° C.
For sealings of FKM:
-25° C up to +120° C.



Tube O.D.		DN Nominal diameter mm
06L	06S	4
08L	08S	5
10L	10S	6
12L	12S	8
15L	14S 16S	10
18L 22L	20S 25S	16
28L	30S	22
35L 43L	38S	25

Construction:

Compact, maintenance-free construction, service-proved.

Materials:

Casing, body nut and progressive ring of steel. Sealing of NBR (Perbunan), on request of FKM.
Plain bearing rotary fittings are not available in stainless steel or brass.

Surface:

Cr(VI)-free.

Construction-system:

Series L, tube O. D. 6 to 35 mm, working pressure (PN): 40 bar
Series S, tube O. D. 6 to 38 mm, working pressure (PN): 100 bar
Tube connection according to DIN 2353, ISO 8434-1.
Male stud with metric thread and BSP thread.
Sealing of male stud by Eolastic-seals.

Perbunan = registered trademark of Bayer

Number of revolutions:

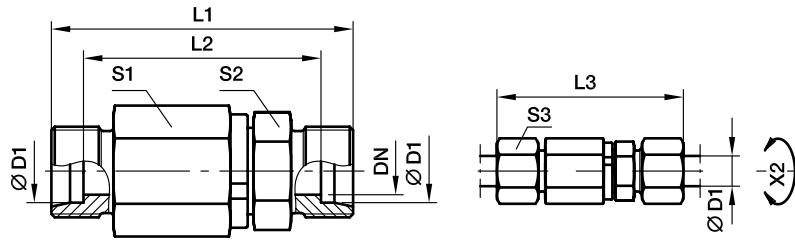
Series	L									
Tube O.D.	6	8	10	12	15	18	22	28	35	
Permiss. no. rpm	28	28	21	17	13	10	10	7	7	
Series	S									
Tube O.D.	6	8	10	12	14	16	20	25	30	38
Permiss. no rpm	11	11	9	7	5	5	4	4	3	3

Assembly instruction:

The life of a rotary fitting depends considerably on a stress-free line connection. Therefore the direct connection with tubes is to be avoided. For connection of hoses use of swivel nut connections (DIN 3865) is recommended. We recommend short, straight hose lines (free hose length approx. 5x hose O. D.). Thus shocks, vibrations etc. are absorbed.

DG 101 - Straight ball bearing rotary union

EO 24° cone end / EO 24° cone end

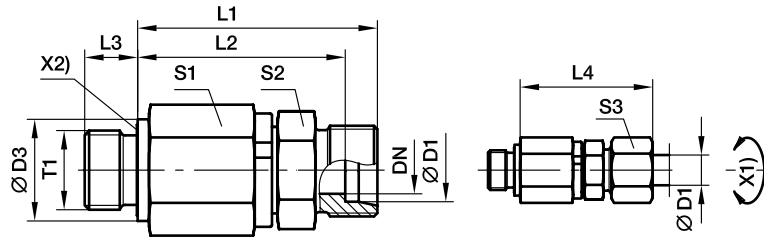


X2) Axis

Series	Ø D1	DN	L1	L2	L3	S1	S2	S3	Weight g/1 piece	Order code	
S	06	5.0	61	47	76	22.0	17	17.0	113	DG101/06S	Pressure ratings see chart 1
	08	5.0	61	47	76	22.0	17	19.0	118	DG101/08S	
	12	9.5	72	57	89	30.0	24	24.0	258	DG101/12S	
	16	9.5	74	57	93	30.0	27	30.0	264	DG101/16S	
	20	16.0	92	71	114	41.0	36	36.0	578	DG101/20S	
	25	16.0	96	72	120	41.0	41	46.0	652	DG101/25S	
	30	26.0	109	82	135	60.0	46	50.0	1321	DG101/30S	
38	26.0	114	82	143	60.0	55	60.0	1509	DG101/38S		

DG 102-R - Straight male stud ball bearing rotary union

Male BSPP thread – ED-seal (ISO 1179) / EO 24° cone end



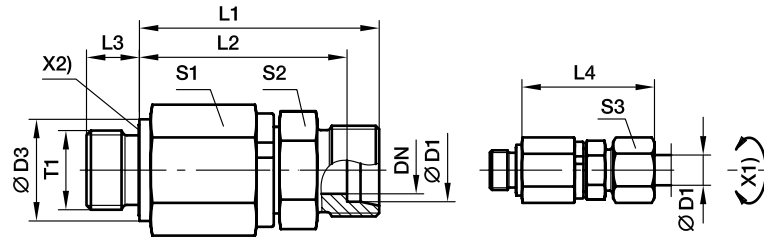
X1) Axis

X2) Eolastic-sealing

Series	∅ D1	T1	DN	D3	L1	L2	L3	L4	S1	S2	S3	Weight g/1 piece	Order code	
S	06	G 1/4 A	5.0	19	49	42.0	12	57.0	22	17	17	110	DG102/06SR	Pressure ratings see chart 1
	08	G 1/4 A	5.0	19	49	42.0	12	57.0	22	17	19	116	DG102/08SR	
	12	G 3/8 A	9.5	22	60	52.5	12	69.0	30	24	24	243	DG102/12SR	
	16	G 1/2 A	9.5	27	60	51.5	14	70.0	30	27	30	256	DG102/16SR	
	20	G 3/4 A	16.0	32	76	65.5	16	87.5	41	36	36	558	DG102/20SR	
	25	G 1 A	16.0	40	78	66.0	18	90.5	41	41	46	853	DG102/25SR	
	30	G 1 1/4 A	26.0	50	89	75.5	20	102.0	60	46	50	1312	DG102/30SR	
	38	G 1 1/2 A	26.0	55	92	76.0	22	107.0	60	55	60	1494	DG102/38SR	

DG 102-M - Straight male stud ball bearing rotary union

Male metric thread – ED-seal (ISO 9974) / EO 24° cone end



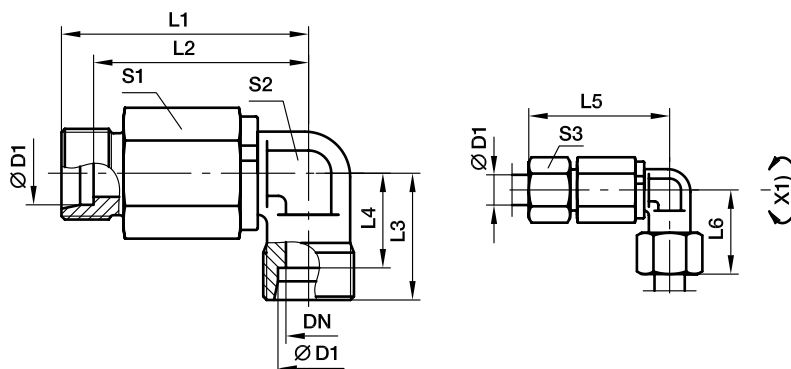
X1) Axis

X2) Eolastic-sealing

Series	∅ D1	T1	DN	D3	L1	L2	L3	L4	S1	S2	S3	Weight g/1 piece	Order code	
S	06	M 14×1.5	5.0	19	49	42.0	12	57.0	22	17	17	112	DG102/06SM	Pressure ratings see chart 1
	08	M 14×1.5	5.0	19	49	42.0	12	57.0	22	17	19	113	DG102/08SM	
	12	M 18×1.5	9.5	24	60	52.5	12	69.0	30	24	24	245	DG102/12SM	
	16	M 22×1.5	9.5	27	60	51.5	14	70.0	30	27	30	259	DG102/16SM	
	20	M 27×2.0	16.0	32	76	65.5	16	87.5	41	36	36	558	DG102/20SM	
	25	M 33×2.0	16.0	40	78	66.0	18	90.5	41	41	46	637	DG102/25SM	
	30	M 42×2.0	26.0	50	89	75.5	20	102.0	60	46	50	1316	DG102/30SM	
38	M 48×2.0	26.0	55	92	76.0	22	107.0	60	55	60	1491	DG102/38SM		

DG 103 - Elbow ball bearing rotary union

EO 24° cone end / EO 24° cone end

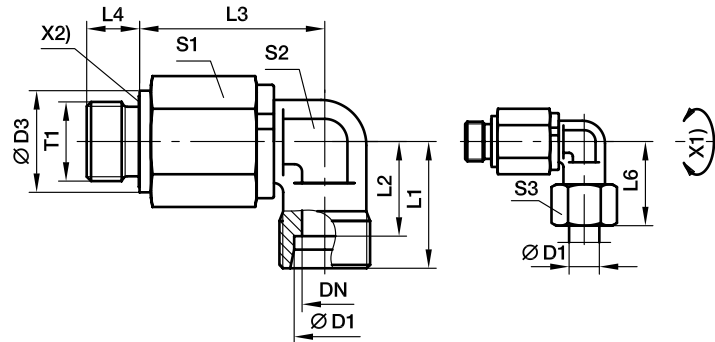


X2) Axis

Series	Ø D1	DN	L1	L2	L3	L4	L5	L6	S1	S2	S3	Weight g/1 piece	Order code	
S	06	5.0	51.5	59.0	23	16.0	44.5	16.0	22	17	17	134	DG103/06S	Pressure ratings see chart 1
	08	5.0	51.5	59.0	24	17.0	44.5	17.0	22	17	19	141	DG103/08S	
	12	9.5	63.0	72.0	29	21.5	55.5	21.5	30	22	24	296	DG103/12S	
	16	9.5	63.0	73.0	33	24.5	54.5	24.5	30	22	30	298	DG103/16S	
	20	16.0	83.0	94.5	37	26.5	72.5	26.5	41	36	36	772	DG103/20S	
	25	16.0	83.0	95.5	42	30.0	71.0	30.0	41	36	46	803	DG103/25S	
	30	26.0	102.5	116.0	49	35.5	89.0	35.5	60	50	50	1722	DG103/30S	
	38	26.0	102.5	117.0	57	41.0	86.5	41.0	60	50	60	1931	DG103/38S	

DG 104-R - Elbow male stud ball bearing rotary union

Male BSPP thread – ED-seal (ISO 1179) / EO 24° cone end

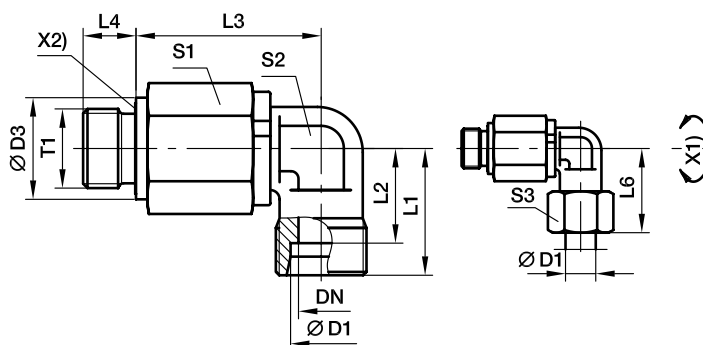


X1) Axis
X2) Eolastic-sealing

Series	Ø D1	T1	DN	D3	L1	L2	L3	L4	L6	S1	S2	S3	Weight g/1 piece	Order code	
S	06	G 1/4 A	05	19	23	16.0	39.5	12	31	22	17	17	131	DG104/06SR	Pressure ratings see chart 1
	08	G 1/4 A	05	19	24	17.0	39.5	12	32	22	17	19	135	DG104/08SR	
	12	G 3/8 A	10	22	29	21.5	51.0	12	38	30	22	24	284	DG104/12SR	
	16	G 1/2 A	10	27	33	24.5	49.0	14	43	30	22	30	284	DG104/16SR	
	20	G 3/4 A	16	32	37	26.5	67.0	16	48	41	36	36	752	DG104/20SR	
	25	G 1 A	16	40	42	30.0	65.0	18	54	41	36	46	789	DG104/25SR	
	30	G 1 1/4 A	26	50	49	35.5	82.5	20	62	60	50	50	1713	DG104/30SR	
	38	G 1 1/2 A	26	55	57	41.0	80.5	22	72	60	50	60	1915	DG104/38SR	

DG 104-M - Elbow male stud ball bearing rotary union

Male metric thread – ED-seal (ISO 9974) / EO 24° cone end



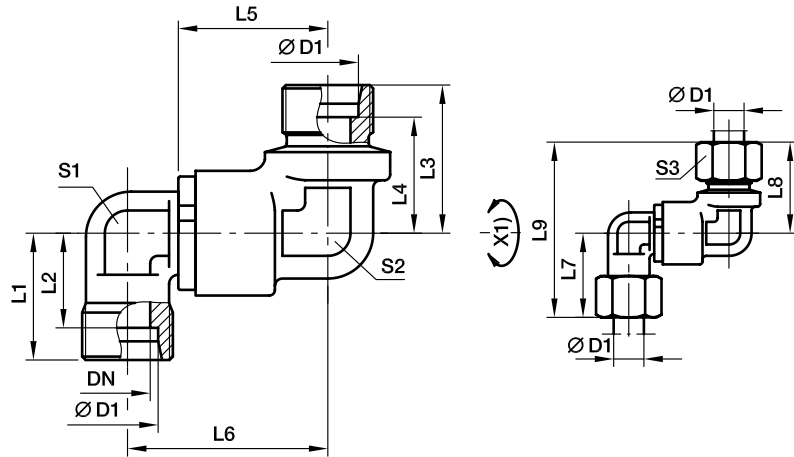
X1) Axis

X2) Eolastic-sealing

Series	Ø D1	T1	DN	D3	L1	L2	L3	L4	L6	S1	S2	S3	Weight g/1 piece	Order code	
S	06	M 14×1.5	05	19	23	16.0	39.5	12	31	22	17	17	132	DG104/06SM	Pressure ratings see chart 1
	08	M 14×1.5	05	19	24	17.0	39.5	12	32	22	17	19	136	DG104/08SM	
	12	M 18×1.5	10	22	29	21.5	51.0	12	38	30	22	24	286	DG104/12SM	
	16	M 22×1.5	10	27	33	24.5	49.0	14	43	30	22	30	287	DG104/16SM	
	20	M 27×2.0	16	32	37	26.5	67.0	16	48	41	36	36	752	DG104/20SM	
	25	M 33×2.0	16	40	42	30.0	65.0	18	54	41	36	46	788	DG104/25SM	
	30	M 42×2.0	26	50	49	35.5	82.5	20	62	60	50	50	1717	DG104/30SM	
	38	M 48×2.0	26	55	57	41.0	80.5	22	72	60	50	60	1913	DG104/38SM	

DG 105 - Double elbow ball bearing rotary union

EO 24° cone end / EO 24° cone end

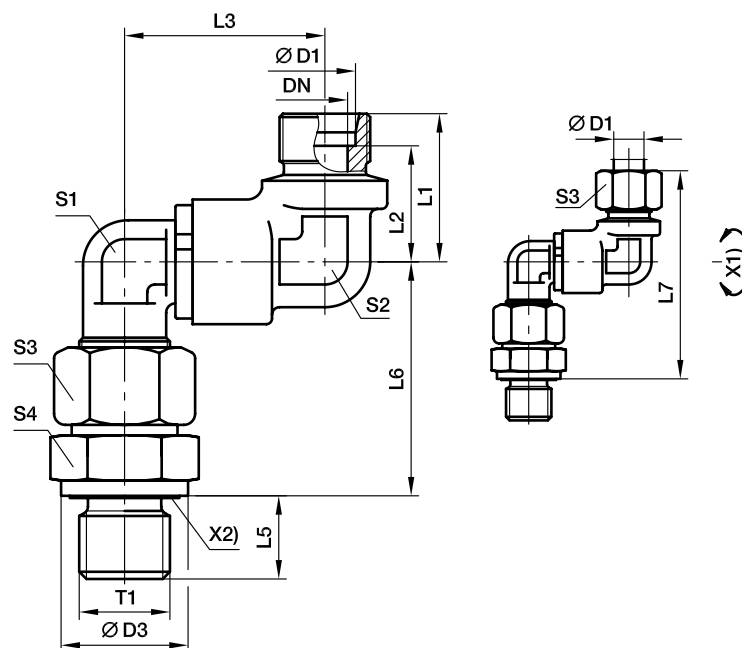


X1) Axis

Series	Ø D1	DN	L1	L2	L3	L4	L5	L6	L7	L8	L9	S1	S2	S3	Weight g/1 piece	Order code	
S	12	9.5	39.5	26.5	43	21.5	38	81	53.0	24	22	24	29	50.5	384	DG105/12S	Pressure ratings see chart 1
	16	9.5	39.5	25.5	44	24.5	43	87	53.0	30	22	24	33	52.5	377	DG105/16S	
	20	16.0	56.5	39.5	61	26.5	48	109	76.0	36	36	32	37	71.5	1015	DG105/20S	
	25	16.0	56.5	38.0	62	30.0	54	116	76.0	46	36	32	42	74.0	1034	DG105/25S	
	30	26.0	65.0	44.5	71	35.5	62	133	92.5	50	50	50	49	84.5	2344	DG105/30S	
	38	26.0	65.0	42.0	73	41.0	72	145	92.5	60	50	50	57	89.0	2485	DG105/38S	

DG 106-R - Double elbow male stud ball bearing rotary union

Male BSPP thread – ED-seal (ISO 1179) / EO 24° cone end
 (Adjustable at male thread axis, consisting of DG105 + EGE)

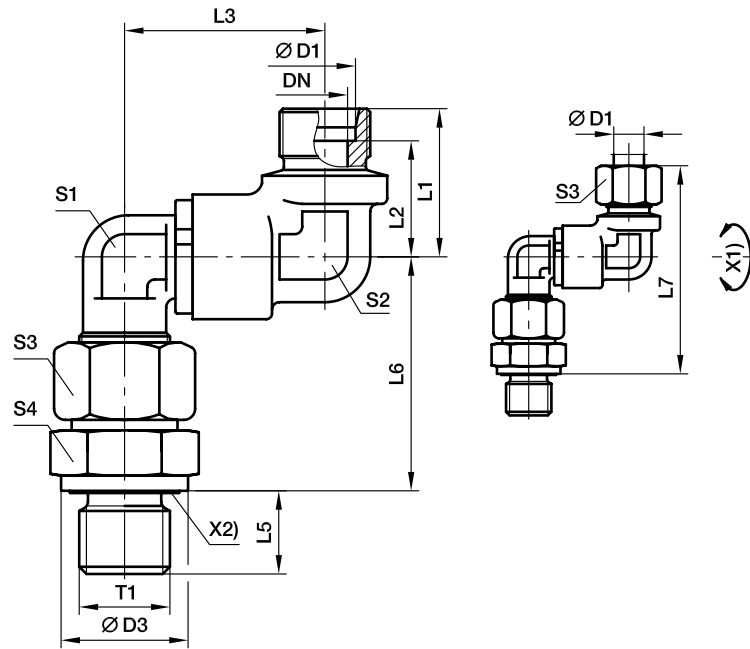


X1) Axis
 X2) Eolastic-sealing

Series	Ø D1	T1	DN	D3	L1	L2	L3	L5	L6	L7	S1	S2	S3	S4	Weight g/1 piece	Order code	
S	12	G 3/8 A	9.5	24	34	26.5	53.0	12	55.5	99	24	22	24	22	484	DG106/12SR	Pressure ratings see chart 1
	16	G 1/2 A	9.5	27	34	25.5	53.0	14	61.5	105	24	24	30	27	547	DG106/16SR	
	20	G 3/4 A	16.0	32	50	39.5	76.0	16	69.5	131	36	32	36	32	1288	DG106/20SR	
	25	G 1 A	16.0	40	50	38.0	76.0	18	78.0	140	36	32	46	41	1528	DG106/25SR	
	30	G 1 1/4 A	26.0	50	58	44.5	92.5	20	86.5	158	50	50	50	50	3004	DG106/30SR	
	38	G 1 1/2 A	26.0	55	58	42.0	92.5	22	101.0	174	50	50	60	55	3419	DG106/38SR	

DG 106-M - Double elbow male stud ball bearing rotary union

Male metric thread – ED-seal (ISO 9974) / EO 24° cone end
 (Adjustable at male thread axis, consisting of DG105 + EGE)

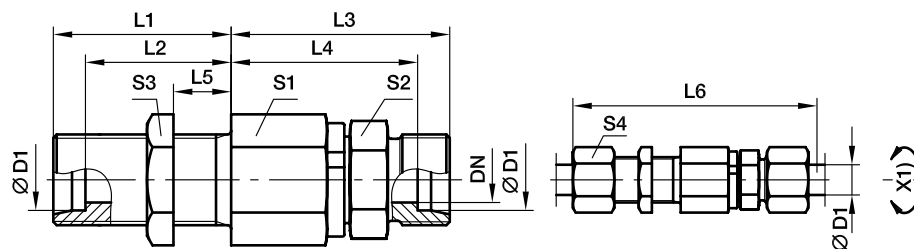


X1) Axis
 X2) Eolastic-sealing

Series	Ø D1	T1	DN	D3	L1	L2	L3	L5	L6	L7	S1	S2	S3	S4	Weight g/1 piece	Order code	
S	12	M 18×1.5	5.0	24	34	26.5	53.0	12	55.5	99	24	22	24	24	495	DG106/12SM	Pressure ratings see chart 1
	16	M 22×1.5	9.5	27	34	25.5	53.0	14	61.5	105	24	24	30	27	551	DG106/16SM	
	20	M 27×2.0	16.0	32	50	39.5	76.0	16	69.5	131	36	32	36	32	1289	DG106/20SM	
	25	M 33×2.0	16.0	40	50	38.0	76.0	18	78.0	140	36	32	46	41	1532	DG106/25SM	
	30	M 42×2.0	26.0	50	58	44.5	92.5	20	86.5	158	50	50	50	50	3007	DG106/30SM	
	38	M 48×2.0	26.0	55	58	42.0	92.5	22	101.0	174	50	50	60	55	3441	DG106/38SM	

DG 107 - Straight bulkhead ball bearing rotary union

EO 24° cone end / EO 24° cone end

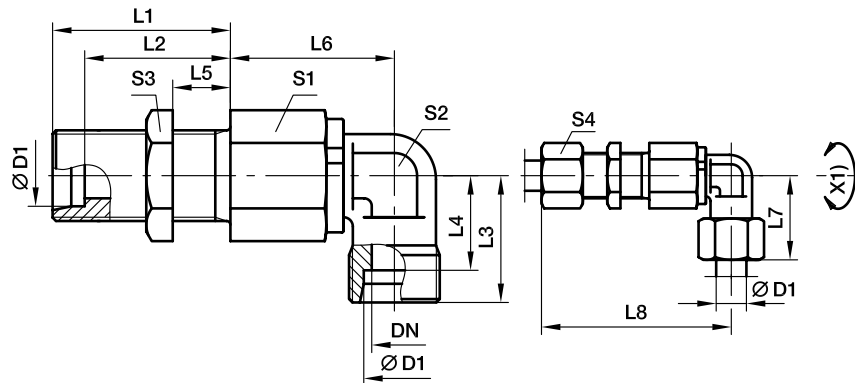


X1) Axis

Series	Ø D1	DN	T1	L1	L2	L3	L4	L5	L6	S1	S2	S3	S4	Weight g/1 piece	Order code	
S	06	5.0	M 14×1.5	23	16.0	49	42.0	5	87	22	17	19	17	134	DG107/06S	Pressure ratings see chart 1
	08	5.0	M 16×1.5	23	16.0	49	42.0	5	87	22	17	22	19	143	DG107/08S	
	12	9.5	M 20×1.5	23	15.5	60	52.5	5	100	30	24	27	24	291	DG107/12S	
	16	9.5	M 24×1.5	26	17.5	60	51.5	5	105	30	27	32	30	328	DG107/16S	
	20	16.0	M 30×2.0	39	28.5	76	65.5	15	137	41	36	41	36	710	DG107/20S	
	25	16.0	M 36×2.0	42	30.0	78	66.0	15	144	41	41	46	46	847	DG107/25S	
	30	26.0	M 42×2.0	44	30.5	89	75.5	15	159	60	46	50	50	1533	DG107/30S	
	38	26.0	M 52×2.0	47	31.0	92	76.0	15	168	60	55	65	60	1930	DG107/38S	

DG 108 - Elbow bulkhead ball bearing rotary union

EO 24° cone end / EO 24° cone end

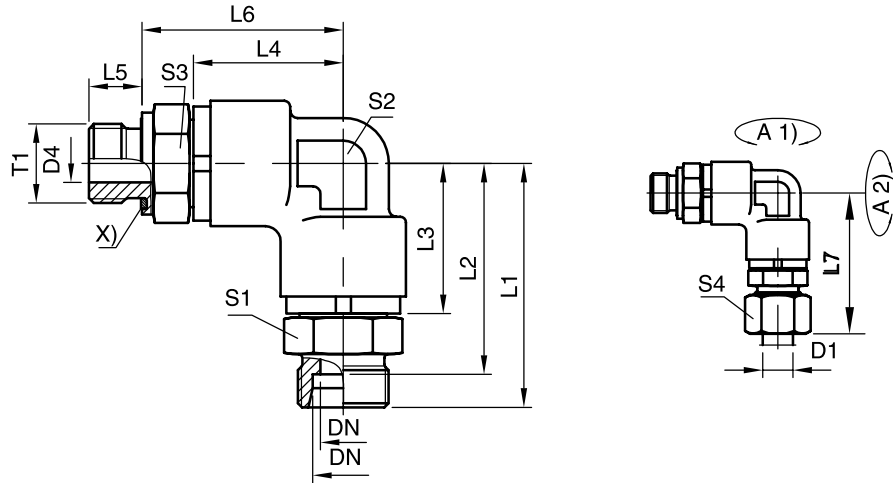


X1) Axis

Series	Ø D1	DN	T1	L1	L2	L3	L4	L5	L6	L7	L8	S1	S2	S3	S4	Weight g/1 piece	Order code	
S	06	5.0	M 14×1.5	23	16.0	23	16.0	5	39.5	31	70.0	22	17	19	17	154	DG108/06S	Pressure ratings see chart 1
	08	5.0	M 16×1.5	23	16.0	23	17.0	5	39.5	32	70.0	22	17	22	19	166	DG108/08S	
	12	9.5	M 20×1.5	23	15.5	29	21.5	5	51.0	38	83.0	30	22	27	24	333	DG108/12S	
	16	9.5	M 24×1.5	26	17.5	33	24.5	5	49.0	43	85.0	30	22	32	30	354	DG108/16S	
	20	16.0	M 30×2.0	39	28.5	37	26.5	15	67.0	48	117.5	41	36	41	36	904	DG108/20S	
	25	16.0	M 36×2.0	42	30.0	42	30.0	15	65.0	54	119.5	41	36	46	46	999	DG108/25S	
	30	26.0	M 42×2.0	44	30.5	49	35.5	15	82.5	62	140.0	60	50	50	50	1935	DG108/30S	
	38	26.0	M 52×2.0	47	31.0	57	41.0	15	80.5	72	142.0	60	50	65	60	2351	DG108/38S	

DG 208-R - Double elbow male stud ball bearing rotary union

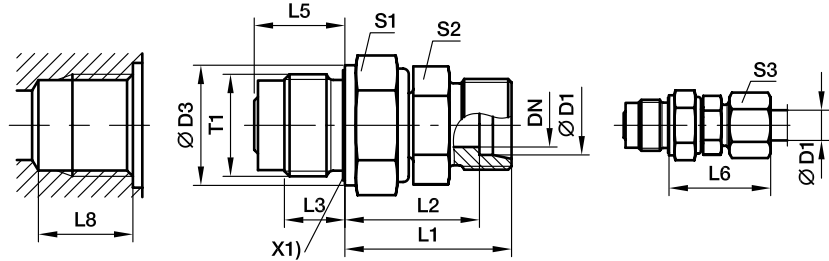
Male BSPP thread – ED-seal (ISO 1179) / EO 24° cone end



Series	∅ D1	T1	DN	L1	L2	L3	L4	L5	L6	L7	S1	S2	S3	S4	Order code	
S	12	G 3/8 A	8	61.8	54.3	39.8	39.8	12	52.5	70.3	24	24	24	24	DG208/12SR	Pressure ratings see chart 1
	16	G 1/2 A	12	64.5	56.5	39.8	39.8	14	53.0	73.5	27	24	27	30	DG208/16SR	
	20	G 3/4 A	16	84.5	74.5	56.5	56.5	16	71.5	95.5	36	32	36	36	DG208/20SR	
	25	G 1 A	16	89.5	77.5	56.5	56.5	18	74.5	100.5	41	32	41	46	DG208/25SR	
	38	G 1 1/2 A	32	104.0	88.0	65.3	65.3	22	85.3	121.5	55	50	55	60	DG208/38SR	

DVGE-R - Straight male stud plain bearing rotary union

Male BSPP thread – ED-seal / EO 24° cone end

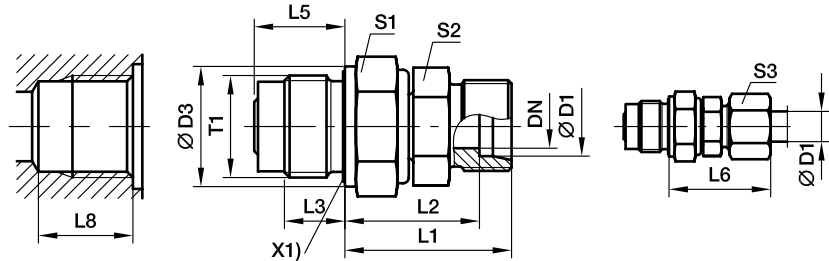


X1) Eolastic-sealing

Series	Ø D1	T1	DN	D3	L1	L2	L3	L5	L6	S1	S2	S3	Weight g/1 piece	Order code	PN (bar)
L	06	G 1/4 A	4.0	19	28.0	21.0	12	18.0	40	19	12	14	43	DVGE06LR	40
	08	G 1/4 A	5.0	19	28.0	21.0	12	18.0	40	19	14	17	44	DVGE08LR	40
	10	G 3/8 A	6.0	22	32.0	25.0	12	18.0	40	24	17	19	74	DVGE10LR	40
	12	G 1/2 A	8.0	27	34.0	27.0	14	21.0	42	27	19	22	116	DVGE12LR	40
	15	G 3/4 A	10.0	32	39.0	32.0	16	24.0	47	32	24	27	214	DVGE15LR	40
	18	G 1 A	16.0	40	42.5	35.0	18	27.5	51	41	27	32	337	DVGE18LR	40
	22	G 1 A	16.0	40	46.5	39.0	18	27.5	55	41	32	36	376	DVGE22LR	40
	28	G 1 1/4 A	22.0	50	48.0	40.5	20	31.0	57	50	41	41	586	DVGE28LR	40
35	G 1 1/2 A	25.0	55	55.0	44.5	22	35.0	66	55	46	50	868	DVGE35LR	40	
S	06	G 1/4 A	4.0	19	30.0	23.0	12	18.0	38	19	14	17	50	DVGE06SR	100
	08	G 1/4 A	5.0	19	31.0	24.0	12	18.0	39	19	17	19	55	DVGE08SR	100
	10	G 3/8 A	6.0	22	34.0	26.5	12	18.0	43	24	19	22	85	DVGE10SR	100
	12	G 1/2 A	8.0	27	36.0	28.5	14	21.0	45	27	22	24	134	DVGE12SR	100
	14	G 3/4 A	10.0	32	41.0	33.0	16	24.0	51	32	24	27	220	DVGE14SR	100
	16	G 3/4 A	10.0	32	42.0	33.5	16	24.0	52	32	27	30	230	DVGE16SR	100
	20	G 1 A	16.0	40	48.5	38.0	18	27.5	60	41	32	36	385	DVGE20SR	100
	25	G 1 A	16.0	40	52.5	40.5	18	27.5	65	41	41	46	483	DVGE25SR	100
	30	G 1 1/4 A	22.0	50	55.0	41.5	20	31.0	68	50	46	50	691	DVGE30SR	100
	38	G 1 1/2 A	25.0	55	63.0	47.0	22	35.0	78	55	55	60	1080	DVGE38SR	100

DVGE-M - Straight male stud plain bearing rotary union

Male metric thread – ED-seal / EO 24° cone end

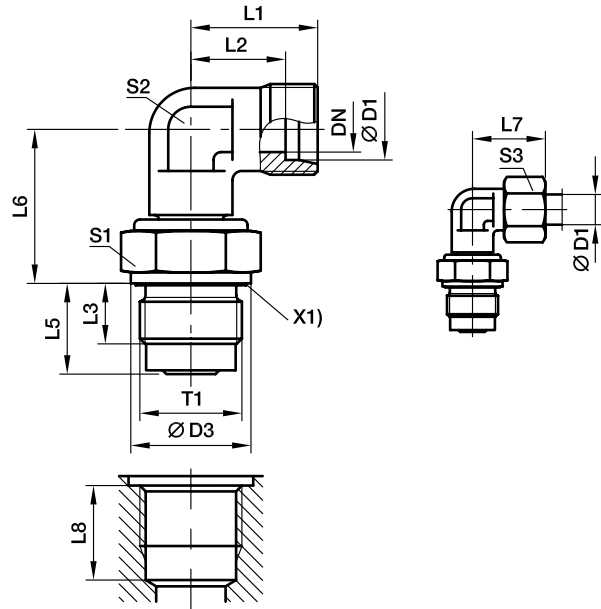


X1) Eolastic-sealing

Series	Ø D1	T1	DN	D3	L1	L2	L3	L5	L6	S1	S2	S3	Weight g/1 piece	Order code	PN (bar)
L	06	M 14×1.5	4.0	19	27.0	20.0	12	18.0	27	19	12	14	44	DVGE06LM	40
	08	M 14×1.5	5.0	19	28.0	21.0	12	18.0	29	19	12	17	45	DVGE08LM	40
	10	M 18×1.5	6.0	24	33.0	26.0	12	18.0	30	24	14	19	87	DVGE10LM	40
	12	M 22×1.5	8.0	27	34.0	27.0	14	21.0	32	27	17	22	120	DVGE12LM	40
	15	M 27×2.0	10.0	32	40.0	33.0	16	24.0	36	32	19	27	215	DVGE15LM	40
	18	M 33×2.0	16.0	40	45.0	37.5	18	27.5	40	41	27	32	349	DVGE18LM	40
	22	M 33×2.0	16.0	40	47.0	39.5	18	27.5	44	41	27	36	383	DVGE22LM	40
	28	M 42×2.0	22.0	50	51.5	44.0	20	31.0	47	50	36	41	590	DVGE28LM	40
	35	M 48×2.0	25.0	55	64.5	54.0	22	35.0	56	55	41	50	876	DVGE35LM	40
S	06	M 14×1.5	4.0	19	28.0	21.0	12	18.0	31	19	12	17	51	DVGE06SM	100
	08	M 14×1.5	5.0	19	29.0	22.0	12	18.0	32	19	14	19	56	DVGE08SM	100
	10	M 18×1.5	6.0	24	34.5	27.0	12	18.0	34	24	17	22	98	DVGE10SM	100
	12	M 22×1.5	8.0	27	35.5	28.0	14	21.0	38	27	17	24	139	DVGE12SM	100
	16	M 27×2.0	10.0	32	42.5	34.0	16	24.0	43	32	24	30	239	DVGE16SM	100
	20	M 33×2.0	16.0	40	50.0	39.5	18	27.5	48	41	27	36	385	DVGE20SM	100
	25	M 33×2.0	16.0	40	54.5	42.5	18	27.5	54	41	36	46	494	DVGE25SM	100
	30	M 42×2.0	22.0	50	61.5	48.0	20	31.0	62	50	41	50	695	DVGE30SM	100
	38	M 48×2.0	25.0	55	71.0	55.0	22	35.0	72	55	50	60	1088	DVGE38SM	100

DVWE-R - Elbow male stud plain bearing rotary union

Male BSPP thread – ED-seal / EO 24° cone end

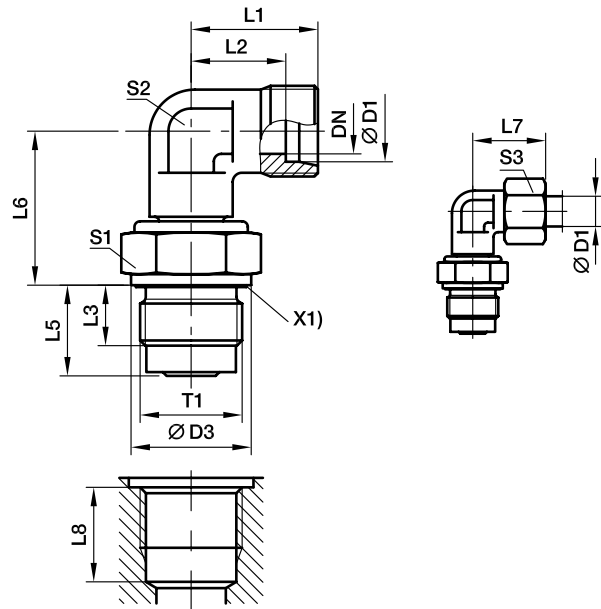


X1) Eolastic-sealing

Series	Ø D1	T1	DN	D3	L1	L2	L3	L5	L6	L7	S1	S2	S3	Weight g/1 piece	Order code	PN (bar)
L	06	G 1/4 A	4	19	19	12.0	12	18.0	20.0	27	19	12	14	50	DVWE06LR	40
	08	G 1/4 A	5	19	21	14.0	12	18.0	21.0	29	19	12	17	50	DVWE08LR	40
	10	G 3/8 A	6	22	22	15.0	12	18.0	26.0	30	24	14	19	83	DVWE10LR	40
	12	G 1/2 A	8	27	24	17.0	14	21.0	27.0	32	27	17	22	129	DVWE12LR	40
	15	G 3/4 A	10	32	28	21.0	16	24.0	33.0	36	32	19	27	232	DVWE15LR	40
	18	G 1 A	16	40	31	23.5	18	27.5	37.5	40	41	27	32	393	DVWE18LR	40
	22	G 1 A	16	40	35	27.5	18	27.5	39.5	44	41	27	36	406	DVWE22LR	40
	28	G 1 1/4 A	22	50	38	30.5	20	31.0	44.0	47	50	36	41	664	DVWE28LR	40
	35	G 1 1/2 A	25	55	45	34.5	22	35.0	54.0	56	55	41	50	1005	DVWE35LR	40
S	06	G 1/4 A	4	19	23	16.0	12	18.0	21.0	31	19	12	17	58	DVWE06SR	100
	08	G 1/4 A	5	19	24	17.0	12	18.0	22.0	32	19	14	19	65	DVWE08SR	100
	10	G 3/8 A	6	22	25	17.5	12	18.0	27.0	34	24	17	22	103	DVWE10SR	100
	12	G 1/2 A	8	27	29	21.5	14	21.0	28.0	38	27	17	24	152	DVWE12SR	100
	14	G 3/4 A	10	32	30	22.0	16	24.0	33.0	40	32	19	27	236	DVWE14SR	100
	16	G 3/4 A	10	32	33	24.5	16	24.0	34.0	43	32	24	30	276	DVWE16SR	100
	20	G 1 A	16	40	37	26.5	18	27.5	39.5	48	41	27	36	415	DVWE20SR	100
	25	G 1 A	16	40	42	30.0	18	27.5	42.5	54	41	36	46	569	DVWE25SR	100
	30	G 1 1/4 A	22	50	49	35.5	20	31.0	48.0	62	50	41	50	886	DVWE30SR	100
38	G 1 1/2 A	25	55	57	41.0	22	35.0	55.0	72	55	50	60	1375	DVWE38SR	100	

DVWE-M - Elbow male stud plain bearing rotary union

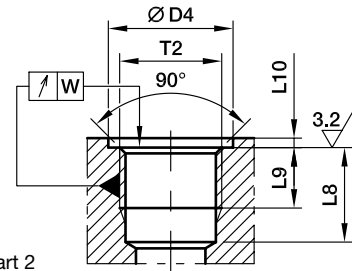
Male metric thread – ED-seal / EO 24° cone end



X1) Eolastic-sealing

Series	Ø D1	T1	DN	D3	L1	L2	L3	L5	L6	L7	S1	S2	S3	Weight g/1 piece	Order code	PN (bar)
L	06	M 14×1.5	4.0	19	19	12.0	12	18.0	20.0	27	19	12	14	51	DVWE06LM	40
	08	M 14×1.5	5.0	19	21	14.0	12	18.0	21.0	29	19	12	17	51	DVWE08LM	40
	10	M 18×1.5	6.0	24	22	15.0	12	18.0	26.0	30	24	14	19	92	DVWE10LM	40
	12	M 22×1.5	8.0	27	24	17.0	14	21.0	27.0	32	27	17	22	160	DVWE12LM	40
	15	M 27×2.0	10.0	32	28	21.0	16	24.0	33.0	36	32	19	27	236	DVWE15LM	40
	18	M 33×2.0	16.0	40	31	23.5	18	27.5	37.5	40	41	27	32	405	DVWE18LM	40
	22	M 33×2.0	16.0	40	35	27.5	18	27.5	39.5	44	41	27	36	409	DVWE22LM	40
	28	M 42×2.0	22.0	50	38	30.5	20	31.0	44.0	47	50	36	41	660	DVWE28LM	40
35	M 48×2.0	25.0	55	45	34.5	22	35.0	54.0	56	55	41	50	1012	DVWE35LM	40	
S	06	M 14×1.5	4.0	19	23	16.0	12	18.0	21.0	31	19	12	17	59	DVWE06SM	100
	08	M 14×1.5	5.0	19	24	17.0	12	18.0	22.0	32	19	14	19	66	DVWE08SM	100
	10	M 18×1.5	6.0	24	25	17.5	12	18.0	27.0	34	24	17	22	113	DVWE10SM	100
	12	M 22×1.5	8.0	27	29	21.5	14	21.0	28.0	38	27	17	24	153	DVWE12SM	100
	16	M 27×2.0	10.0	32	33	24.5	16	24.0	34.0	43	32	24	30	284	DVWE16SM	100
	20	M 33×2.0	16.0	40	37	26.5	18	27.5	39.5	48	41	27	36	427	DVWE20SM	100
	25	M 33×2.0	16.0	40	42	30.0	18	27.5	42.5	54	41	36	46	581	DVWE25SM	100
	30	M 42×2.0	22.0	50	49	35.5	20	31.0	48.0	62	50	41	50	898	DVWE30SM	100
38	M 48×2.0	25.0	55	57	41.0	22	35.0	55.0	72	55	50	60	1373	DVWE38SM	100	

Port tapping for plain bearing rotary fittings DVGE and DVWE



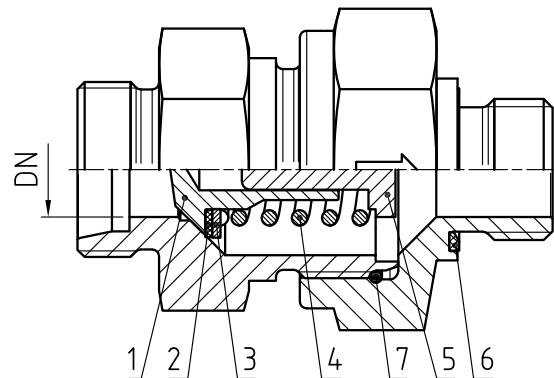
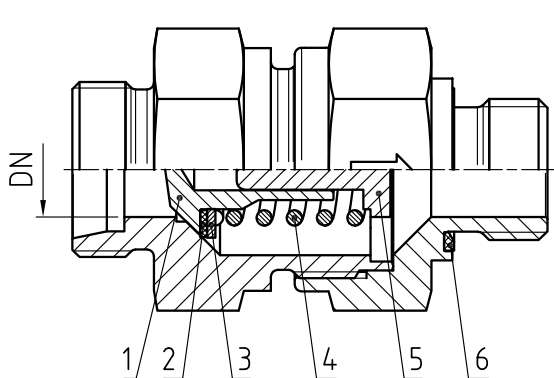
Port tapping form X
according to DIN 3852, part 1 and part 2
(for parallel male studs)

Thread d1	d4 small +0.4	a ₁ max	L9 min	L8 min	W
M 14×1.5	20	1.5	12	19.0	0.1
M 18×1.5	25 ²⁾	2.0	12	19.0	0.1
M 22×1.5	28	2.5	14	22.0	0.1
M 27×2.0	33	2.5	16	25.0	0.2
M 33×2.0	41 ²⁾	2.5	18	28.5	0.2
M 42×2.0	51 ²⁾	2.5	20	32.0	0.2
M 48×2.0	56	2.5	22	36.0	0.2
G 1/4 A	20 ²⁾	1.5	12	19.0	0.1
G 3/8 A	23	2.0	12	19.0	0.1
G 1/2 A	28 ²⁾	2.5	14	22.0	0.1
G 3/4 A	33	2.5	16	25.0	0.2
G 1 A	41 ²⁾	2.5	18	28.5	0.2
G 1 1/4 A	51 ²⁾	2.5	20	32.0	0.2
G 1 1/2 A	56	2.5	22	36.0	0.2

¹⁾ Not in DIN 3852

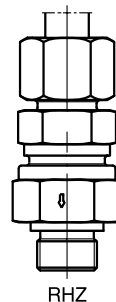
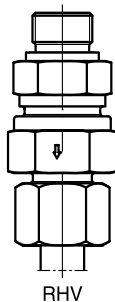
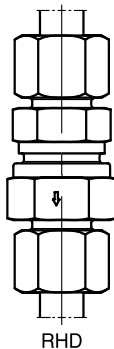
²⁾ Different from DIN 3852

RHD/V/Z non return valve



Design with sealing edge:
Size 06L and 08L / 06S and 08S
and all sizes in stainless steel with a PTFDE sealing disc.

Design with O-ring (item. 7):
Sizes 10L, 12L, 15L, 18L, 22L, 28L, 35L and 42L
as well as 10S, 12S, 14S, 16S, 20S, 25S, 30S and 38S with a
sealing disc out of NBR (steel) or FKM (stainless steel).



- 1: poppet
 - 2: sealing disc
 - 3: cover disc
 - 4: spring
 - 5: passage disc
 - 6: Eolastic-sealing
 - 7: O-ring
- DN = Nominal diameter (mm)

Characteristics:

Poppet check valve with a 90° valve seat with an elastomere sealing disc. Poppet stop for controlled valve opening. Damped opening action to minimize shock and noise. No reduction of cross section. Maximum flow velocity not more than 8 m/sec. Sealing of male stud thread by Eolastic soft seal with types RHV and RHZ.

Opening pressure:

Standard 1 bar (on request also 0.2, 0.5, 2, 3, 4, 5 and 6 bar are available; please specify on order). For working pressure see appropriate tables. Cracking pressure tolerance: ± 20 %.

Material:

- Steel zinc-plated (CF Cr[VI]-free), seals in NBR (e.g. Perbunan), or (FKM) on request.

Perbunan = registered trademark of Bayer

- Stainless steel valves have FKM as standard. (Up to 3 bar cracking pressure)

- Brass-valves (CuZn35Ni2 2.0540) with internals (1.4571) available on request. (Up to 3 bar cracking pressure)

Assembly:

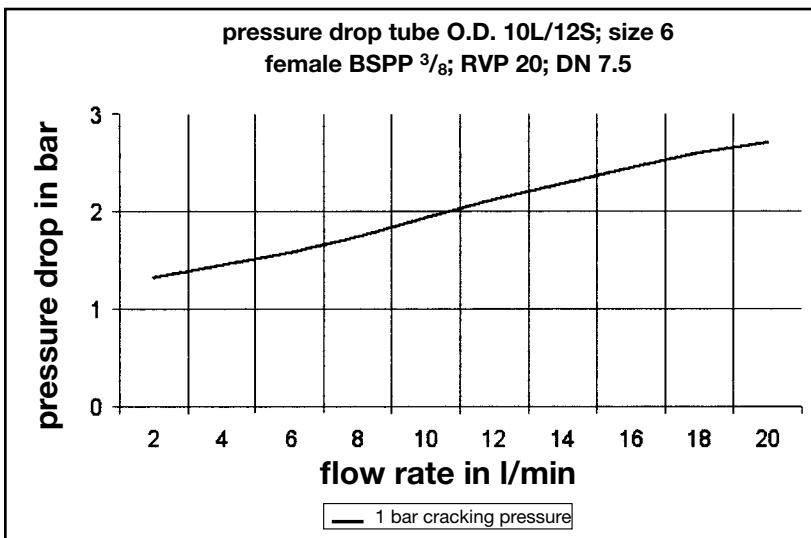
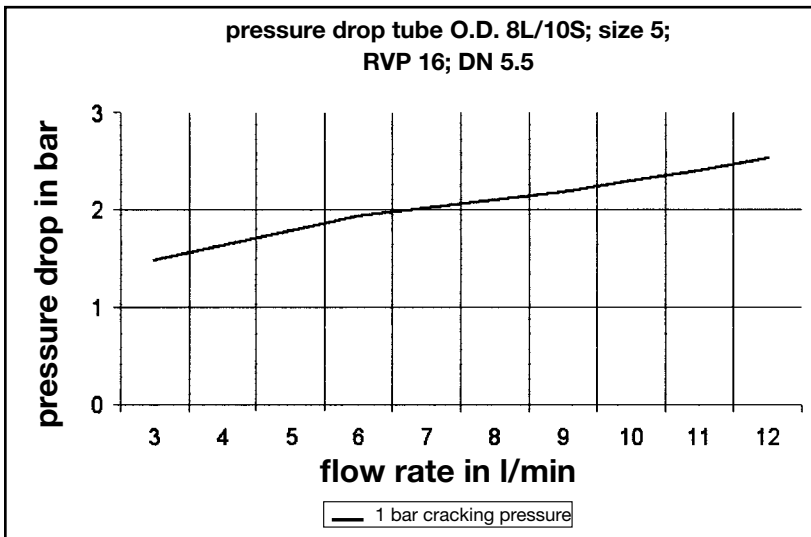
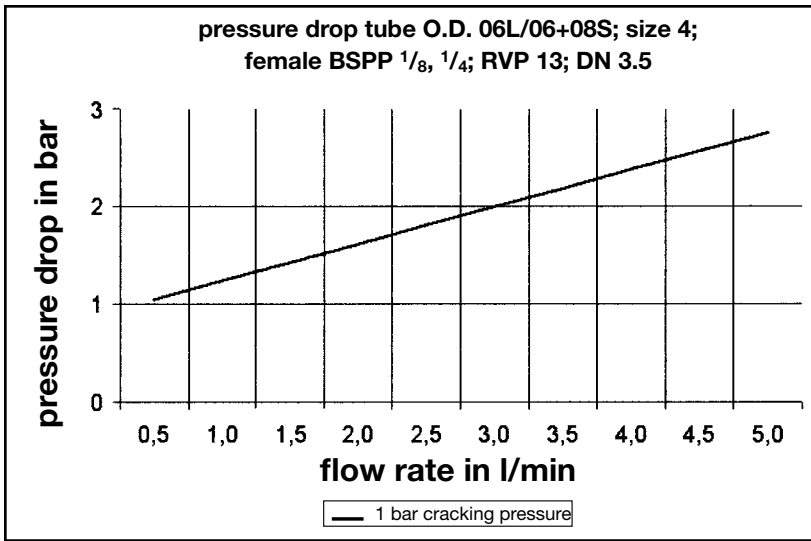
See assembly instructions for EO/EO 2 connections. Non-return valves are all packaged against contamination.

Media:

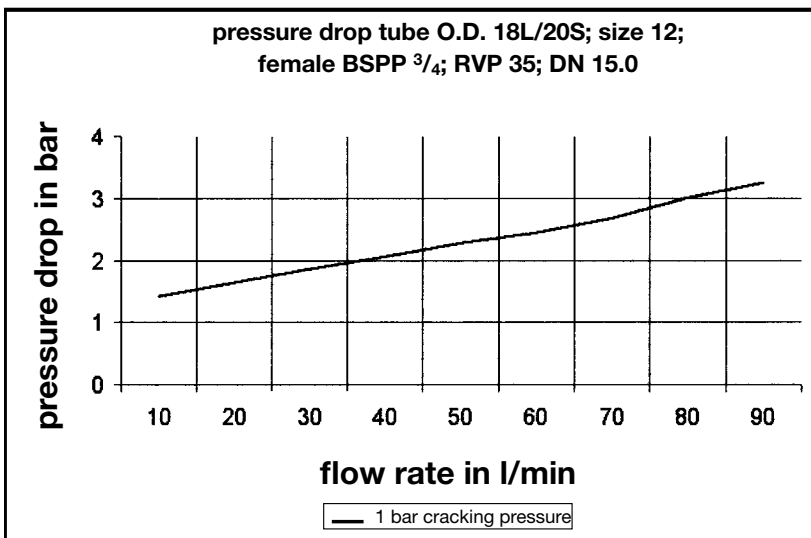
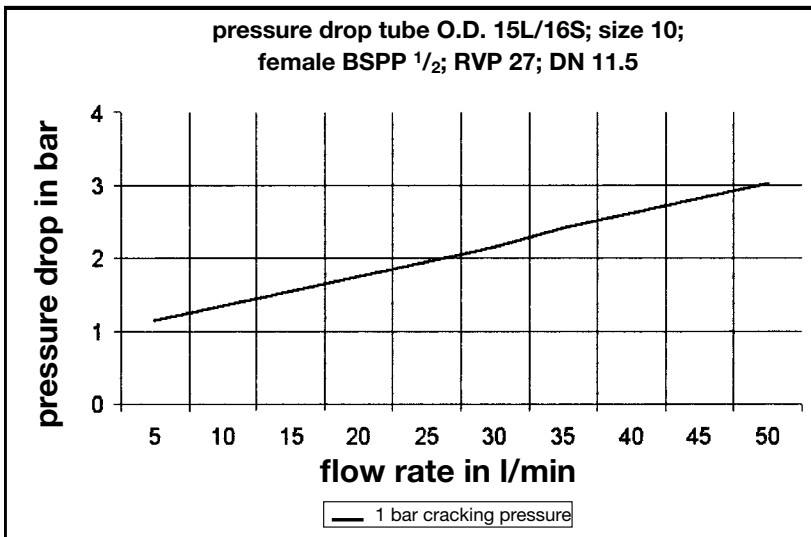
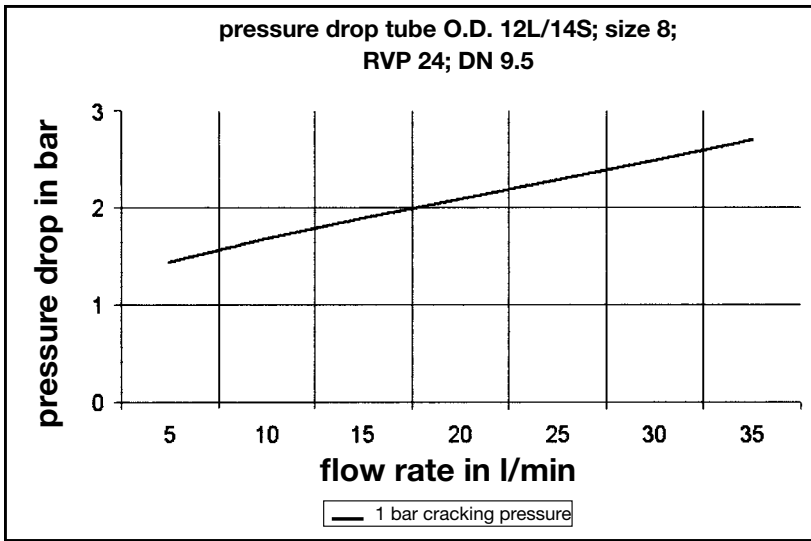
Hydraulic oil, low flammability hydraulic fluids (except for types HFC: for HFD types; FKM seals are necessary). Air pressure tested (please indicate on order). Not suitable for steam, combustible/explosive gases, or oxygen. For water applications, please consult Geeve Hydraulics with details of water and any additives.

Test points
 Weld fittings
 Valves
 Rotary fittings
 DIN fittings

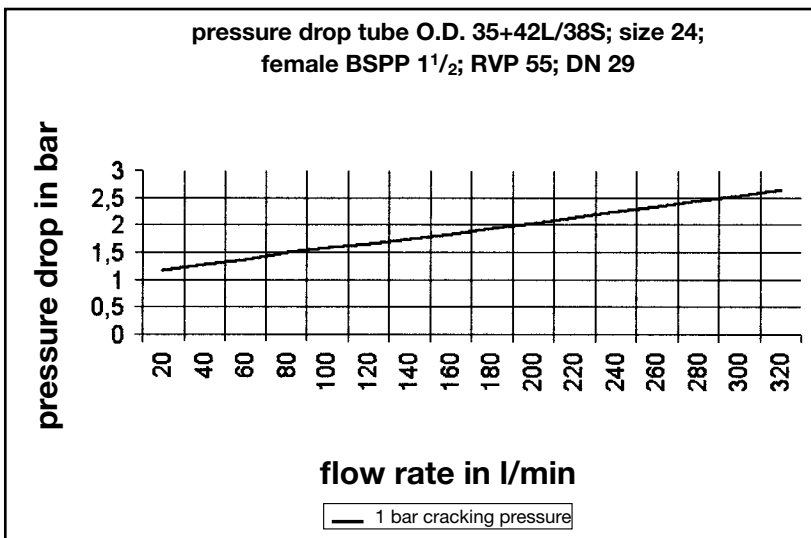
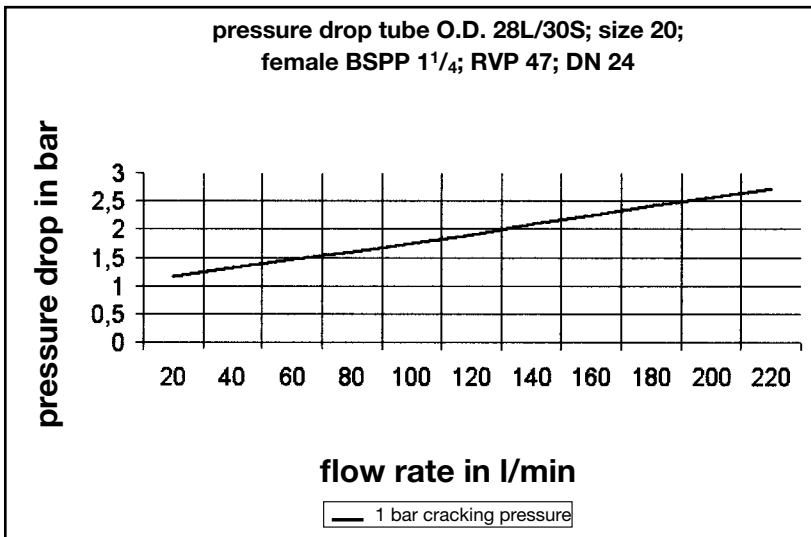
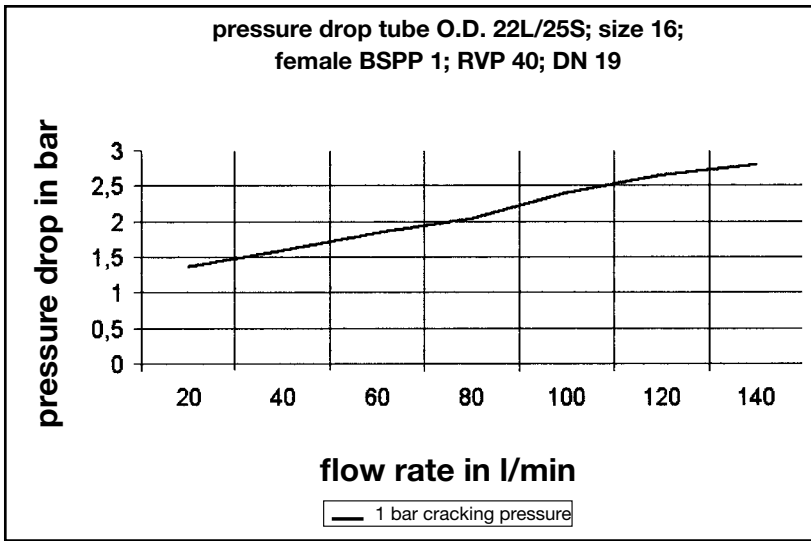
In all diagrams is the peak value of the flow rate in l/min. relating to the maximum permissible flow velocity of 8 m/sec.



In all diagrams is the peak value of the flow rate in l/min. relating to the maximum permissible flow velocity of 8 m/sec.

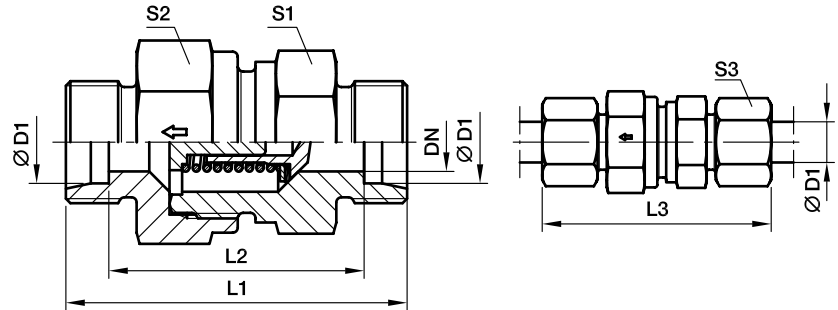


In all diagrams is the peak value of the flow rate in l/min. relating to the maximum permissible flow velocity of 8 m/sec.



RHD Non return valve

EO 24° cone end / EO 24° cone end

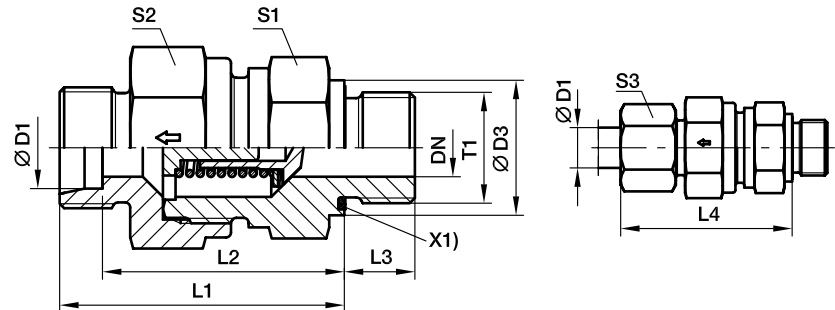


Series	D1 Ø	CF DN	71 DN	CF L1	71 L1	L2	L3	S1	CF S2	71 S2	S3	Weight g/1 piece	Order code	PN (bar)	
														CF	71
L	06	3.5	3.5	43.0	43.0	29.0	58.0	17	17	17	14	46	RHD06L	400	250
	08	5.5	5.5	44.0	44.9	30.0	59.0	19	19	19	17	61	RHD08L	400	250
	10	7.5	7.5	55.0	54.5	40.5	69.5	22	24	24	19	104	RHD10L	400	250
	12	9.5	9.5	58.0	57.5	43.5	72.5	27	30	30	22	166	RHD12L	400	250
	15	11.0	11.5	62.0	61.5	47.5	77.5	27	32	32	27	192	RHD15L	400	250
	18	14.0	14.0	67.0	66.5	51.5	83.5	36	41	36	32	292	RHD18L	400	160
	22	18.0	18.0	77.0	76.5	61.5	93.5	41	46	46	36	472	RHD22L	250	160
	28	23.0	23.0	85.0	84.5	69.5	102.5	50	55	55	41	746	RHD28L	250	100
	35	29.0	29.0	96.0	95.5	74.5	117.5	60	65	60	50	1062	RHD35L	250	100
	42	29.0	29.0	96.0	96.0	74.0	119.0	65	70	70	60	1518	RHD42L	250	100
S	06	3.5	3.5	48.5	48.5	34.5	63.5	19	19	19	17	70	RHD06S	420	400
	08	3.5	3.5	48.5	48.5	34.5	63.5	19	19	19	19	74	RHD08S	420	400
	10	5.5	5.5	55.5	55.5	40.5	72.5	22	24	24	22	121	RHD10S	420	400
	12	7.5	7.5	57.5	57.5	42.5	74.5	24	27	27	24	148	RHD12S	420	400
	14	9.5	9.5	64.0	63.5	47.5	82.5	27	32	32	27	218	RHD14S	420	315
	16	11.0	11.5	68.0	67.5	50.5	86.5	32	36	36	30	286	RHD16S	420	315
	20	15.0	15.0	76.0	75.5	54.5	97.5	41	50	46	36	506	RHD20S	420	250
	25	19.0	19.0	83.0	82.5	58.5	106.5	46	55	50	46	639	RHD25S	420	250
	30	24.0	24.0	97.0	96.5	69.5	122.5	60	60	60	50	1157	RHD30S	250	250
	38	29.0	29.0	108.0	107.5	75.5	136.5	65	70	70	60	1650	RHD38S	250	250

Order code suffixes			
	Stainless Steel		Body Only
Suffix	71		OMD
Example	RHD16SR71		RHD16SOMD

RHV-R-ED Non return valve

EO 24° cone end / Male BSPP thread – ED-seal (ISO 1179)



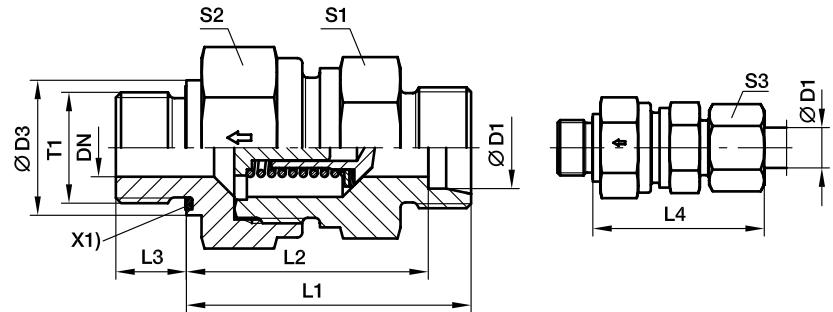
X1) Eolastic sealing

Series	D1 ø	T1	CF DN	71 DN	D3	CF L1	71 L1	L2	L3	L4	S1	CF S2	71 S2	S3	Weight g/1 piece	Order code	PN (bar)	
																	CF	71
L	06	G 1/8 A	3.5	3.5	14	35.0	35.0	28.0	8	42.5	17	17	17	14	47	RHV06LRED	400	250
	08	G 1/4 A	5.5	5.5	19	37.0	37.0	30.0	12	44.5	19	19	19	17	62	RHV08LRED	400	250
	10	G 1/4 A	7.5	7.5	19	46.0	45.5	38.5	12	53.0	22	24	24	19	105	RHV10LRED	400	250
	12	G 3/8 A	9.5	9.5	22	50.0	49.5	42.5	12	57.0	27	30	30	22	175	RHV12LRED	400	250
	15	G 1/2 A	11.0	11.5	27	53.0	52.5	45.5	14	60.5	27	32	32	27	205	RHV15LRED	400	250
	18	G 1/2 A	14.0	14.0	27	58.0	57.5	50.0	14	66.0	36	41	36	32	294	RHV18LRED	400	160
	22	G 3/4 A	18.0	18.0	32	63.0	62.5	55.0	16	71.0	41	46	46	36	450	RHV22LRED	250	160
	28	G 1 A	23.0	23.0	40	71.0	70.5	63.0	18	79.5	50	55	55	41	720	RHV28LRED	250	100
	35	G 1 1/4 A	29.0	29.0	50	80.0	79.5	69.0	20	90.5	60	65	60	50	1050	RHV35LRED	250	100
	42	G 1 1/2 A	29.0	29.0	55	80.0	79.5	68.5	22	91.0	65	70	70	60	1560	RHV42LRED	250	100
S	06	G 1/4 A	3.5	3.5	19	38.5	38.5	31.5	12	46.0	19	19	19	17	73	RHV06SRED	420	400
	08	G 1/4 A	3.5	3.5	19	38.5	38.5	31.5	12	46.0	19	19	19	19	79	RHV08SRED	420	400
	10	G 3/8 A	5.5	5.5	22	45.5	45.5	38.0	12	54.0	22	24	24	22	132	RHV10SRED	420	400
	12	G 3/8 A	7.5	7.5	22	48.5	48.5	41.0	12	57.0	24	27	27	24	153	RHV12SRED	420	400
	14	G 1/2 A	9.5	9.5	27	53.0	52.5	44.5	14	62.0	27	32	32	27	230	RHV14SRED	420	315
	16	G 1/2 A	11.0	11.5	27	57.0	56.5	48.0	14	66.0	32	36	36	30	293	RHV16SRED	420	315
	20	G 3/4 A	15.0	15.0	32	63.0	62.5	52.0	16	73.5	41	50	46	36	511	RHV20SRED	420	250
	25	G 1 A	19.0	19.0	40	67.0	66.5	54.5	18	78.5	46	55	50	46	648	RHV25SRED	420	250
	30	G 1 1/4 A	24.0	24.0	50	78.0	77.5	64.0	20	90.5	60	60	60	50	1176	RHV30SRED	250	250
	38	G 1 1/2 A	29.0	29.0	55	86.0	85.5	69.5	22	100.0	65	70	70	60	1624	RHV38SRED	250	250

Order code suffixes			
	Stainless Steel		Body Only
Suffix	71		OMD
Example	RHV16SRED71		RHV16SREDOMD

RHZ-R-ED Non return valve

Male BSPP thread – ED-seal (ISO 1179) / EO 24° cone end



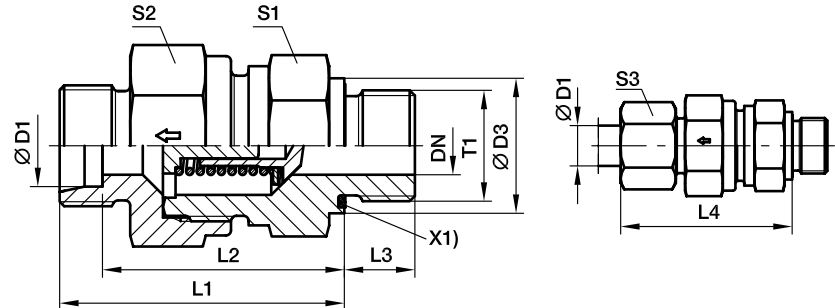
X1) Elastic sealing

Series	D1 ø	T1	CF DN	71 DN	D3	CF L1	71 L1	L2	L3	L4	S1	CF S2	71 S2	S3	Weight g/1 piece	Order code	PN (bar)	
																	CF	71
L	06	G 1/8 A	3.5	3.5	14	33.5	-	26.5	8	41.0	17	17	17	14	44	RHZ06LRED	400	250
	08	G 1/4 A	5.5	5.5	19	35.5	-	28.5	12	43.0	19	19	19	17	59	RHZ08LRED	400	250
	10	G 1/4 A	7.5	7.5	19	46.0	-	38.5	12	53.0	22	24	24	19	125	RHZ10LRED	400	250
	12	G 3/8 A	9.5	9.5	22	48.0	-	40.5	12	55.0	27	30	30	22	161	RHZ12LRED	400	250
	15	G 1/2 A	11.0	11.5	27	50.0	-	42.5	14	57.5	27	32	32	27	186	RHZ15LRED	400	250
	18	G 1/2 A	14.0	14.0	27	56.0	-	48.0	14	64.0	36	41	36	32	275	RHZ18LRED	400	160
	22	G 3/4 A	18.0	18.0	32	64.0	-	56.0	16	72.0	41	46	46	36	463	RHZ22LRED	250	160
	28	G 1 A	23.0	23.0	40	72.0	-	64.0	18	80.5	50	55	55	41	721	RHZ28LRED	250	100
	35	G 1 1/4 A	29.0	29.0	50	81.0	-	70.0	20	91.5	60	65	60	50	1073	RHZ35LRED	250	100
	42	G 1 1/2 A	29.0	29.0	55	82.0	-	70.5	22	93.0	65	70	70	60	1602	RHZ42LRED	250	100
S	06	G 1/4 A	3.5	3.5	19	38.5	-	31.5	12	46.0	19	19	19	17	71	RHZ06SRED	420	400
	08	G 1/4 A	3.5	3.5	19	38.5	-	31.5	12	46.0	19	19	19	19	74	RHZ08SRED	420	400
	10	G 3/8 A	5.5	5.5	22	45.5	-	38.0	12	54.0	22	24	24	22	128	RHZ10SRED	420	400
	12	G 3/8 A	7.5	7.5	22	48.5	-	41.0	12	57.0	24	27	27	24	152	RHZ12SRED	420	400
	14	G 1/2 A	9.5	9.5	27	52.0	-	43.5	14	61.0	27	32	32	27	223	RHZ14SRED	420	315
	16	G 1/2 A	11.0	11.5	27	55.0	-	46.0	14	64.0	32	36	36	30	275	RHZ16SRED	420	315
	20	G 3/4 A	15.0	15.0	32	61.0	-	50.0	16	71.5	41	50	46	36	490	RHZ20SRED	420	250
	25	G 1 A	19.0	19.0	40	67.0	-	54.5	18	78.5	50	55	50	46	647	RHZ25SRED	420	250
	30	G 1 1/4 A	24.0	24.0	50	78.0	-	64.0	20	90.5	55	60	60	50	1180	RHZ30SRED	250	250
	38	G 1 1/2 A	29.0	29.0	55	88.0	-	71.5	22	102.0	65	70	70	60	1670	RHZ38SRED	250	250

Order code suffixes			
	Stainless Steel		Body Only
Suffix	71		OMD
Example	RHZ16SRED71		RHZ16SREDOMD

RHV-M-ED Non return valve

EO 24° cone end / Male metric thread – ED-seal (ISO 9974)



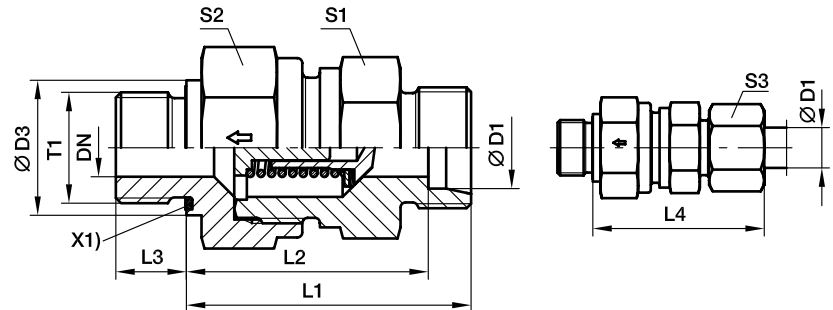
X1) Eolastic sealing

Series	D1 ø	T1	CF DN	71 DN	D3	CF L1	71 L1	L2	L3	L4	S1	CF S2	71 S2	S3	Weight g/1 piece	Order code	PN (bar)	
																	CF	71
L	06	M 10×1.0	3.5	3.5	14	35.0	–	28.0	8	42.5	17	17	17	14	46	RHV06LMED	400	250
	08	M 12×1.5	5.5	5.5	17	36.0	–	29.0	12	43.5	19	19	19	17	58	RHV08LMED	400	250
	10	M 14×1.5	7.5	7.5	19	45.5	–	38.5	12	53.0	22	24	34	19	108	RHV10LMED	400	250
	12	M 16×1.5	9.5	9.5	22	49.5	–	42.5	12	57.0	27	30	30	22	173	RHV12LMED	400	250
	15	M 18×1.5	11.0	11.5	24	52.5	–	45.5	12	60.5	27	32	32	27	192	RHV15LMED	400	250
	18	M 22×1.5	14.0	14.0	27	56.0	–	50.0	14	66.0	36	41	36	32	298	RHV18LMED	400	160
	22	M 26×1.5	18.0	18.0	32	64.0	–	55.0	16	71.0	41	46	46	36	446	RHV22LMED	250	160
	28	M 33×2.0	23.0	23.0	40	72.0	–	63.0	18	79.5	50	55	55	41	722	RHV28LMED	250	100
	35	M 42×2.0	29.0	29.0	50	81.0	–	69.0	20	90.5	60	65	60	50	1053	RHV35LMED	250	100
	42	M 48×2.0	29.0	29.0	55	82.0	–	68.5	22	91.0	65	70	70	60	1563	RHV42LMED	250	100
S	06	M 12×1.5	3.5	3.5	17	38.5	–	31.5	12	46.0	19	19	19	17	70	RHV06SMED	420	400
	08	M 14×1.5	3.5	3.5	19	38.5	–	31.5	12	46.0	19	19	19	19	76	RHV08SMED	420	400
	10	M 16×1.5	5.5	5.5	22	45.5	–	38.0	12	54.0	22	24	24	22	124	RHV10SMED	420	400
	12	M 18×1.5	7.5	7.5	24	48.5	–	41.0	12	57.0	24	27	27	24	157	RHV12SMED	420	400
	14	M 20×1.5	9.5	9.5	26	52.5	–	44.5	14	62.0	27	32	32	27	215	RHV14SMED	420	315
	16	M 22×1.5	11.0	11.5	27	55.0	–	48.0	14	66.0	32	36	36	30	296	RHV16SMED	420	315
	20	M 27×2.0	15.0	15.0	32	61.0	–	52.0	16	73.5	41	50	46	36	521	RHV20SMED	420	250
	25	M 33×2.0	19.0	19.0	40	67.0	–	54.5	18	78.5	46	55	50	46	648	RHV25SMED	420	250
	30	M 42×2.0	24.0	24.0	50	78.0	–	64.0	20	90.5	60	60	60	50	1178	RHV30SMED	250	250
	38	M 48×2.0	29.0	29.0	55	88.0	–	69.5	22	100.0	65	70	70	60	1627	RHV38SMED	250	250

Order code suffixes			
	Stainless Steel		Body Only
Suffix	71		OMD
Example	RHV16SMED71		RHV16SMED0MD

RHZ-M-ED Non return valve

Male metric thread – ED-seal (ISO 9974) / EO 24° cone end



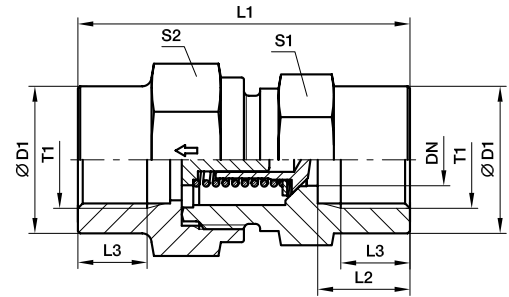
X1) Eolastic sealing

Series	D1 Ø	T1	DN	D3	L1	L2	L3	L4	S1	S2	S3	Weight g/1 piece	Order code	PN (bar)	
														CF	71
L	06	M 10×1.0	3.5	14	33.5	26.5	8	41.0	17	17	14	44	RHZ06LMED	400	250
	08	M 12×1.5	5.5	17	35.5	28.5	12	43.0	19	19	17	58	RHZ08LMED	400	250
	10	M 14×1.5	7.5	19	45.5	38.5	12	53.0	22	24	19	104	RHZ10LMED	400	250
	12	M 16×1.5	9.5	22	47.5	40.5	12	55.0	27	30	22	169	RHZ12LMED	400	250
	15	M 18×1.5	11.5	24	49.5	42.5	12	57.5	27	32	27	174	RHZ15LMED	400	250
	18	M 22×1.5	14.0	27	55.5	48.0	14	64.0	36	41	32	279	RHZ18LMED	400	160
	22	M 26×1.5	18.0	32	63.5	56.0	16	72.0	41	46	36	459	RHZ22LMED	250	160
	28	M 33×2.0	23.0	40	71.5	64.0	18	80.5	50	55	41	721	RHZ28LMED	250	100
	35	M 42×2.0	29.0	50	80.5	70.0	20	91.5	60	65	50	1078	RHZ35LMED	250	100
	42	M 48×2.0	29.0	55	81.5	70.5	22	93.0	65	70	60	1601	RHZ42LMED	250	100
S	06	M 12×1.5	3.5	17	38.5	31.5	12	46.0	19	19	17	70	RHZ06SMED	420	400
	08	M 14×1.5	3.5	19	38.5	31.5	12	46.0	19	19	19	75	RHZ08SMED	420	400
	10	M 16×1.5	5.5	22	45.5	38.0	12	54.0	22	24	22	123	RHZ10SMED	420	400
	12	M 18×1.5	7.5	24	48.5	41.0	12	57.0	24	27	24	157	RHZ12SMED	420	400
	14	M 20×1.5	9.5	26	51.5	43.5	14	61.0	27	32	27	214	RHZ14SMED	420	315
	16	M 22×1.5	11.5	27	54.5	46.0	14	64.0	32	36	30	279	RHZ16SMED	420	315
	20	M 27×2.0	15.0	32	60.5	50.0	16	71.5	41	50	36	487	RHZ20SMED	420	250
	25	M 33×2.0	19.0	40	68.0	54.5	18	78.5	46	55	46	647	RHZ25SMED	420	250
	30	M 42×2.0	24.0	50	77.5	64.0	20	90.5	60	60	50	1180	RHZ30SMED	250	250
	38	M 48×2.0	29.0	55	87.5	71.5	22	102.0	65	70	60	1669	RHZ38SMED	250	250

Order code suffixes			
	Stainless Steel		Body Only
Suffix	71		OMD
Example	RHZ16SMED71		RHZ16SMEDOMD

RHDI Non return valve

Female BSPP thread (ISO 1179-1) / Female BSPP thread (ISO 1179-1)



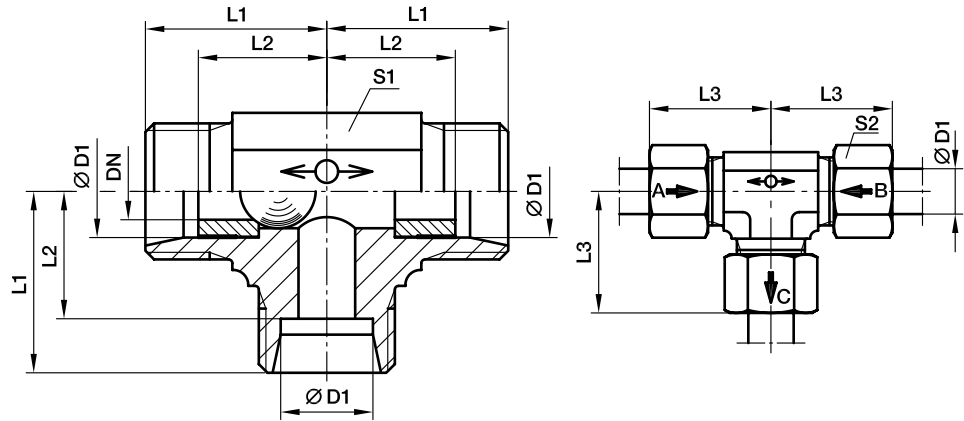
T1	DN	D1	L1	L2	L3	S1	S2	Weight g/1 piece	Order code	PN (bar)	
										CF	71
G 1/8	3.5	19	42.5	12.0	8.0	19	19	76	RHD11/8	400	400
G 1/4	3.5	19	51.0	16.0	12.0	19	19	82	RHD11/4	400	400
G 3/8	7.5	24	60.0	17.0	12.0	24	27	157	RHD13/8	400	400
G 1/2	11.5	32	72.0	20.0	15.0	32	36	344	RHD11/2	315	315
G 3/4	15.0	41	84.0	22.0	16.5	41	46	664	RHD13/4	250	250
G 1	19.0	46	95.0	25.5	19.0	46	50	821	RHD11	250	250
G 1 1/4	24.0	60	110.0	28.0	21.5	60	60	1581	RHD111/4	250	250
G 1 1/2	29.0	65	114.0	28.5	22.0	65	70	1919	RHD111/2	250	250

Order code suffixes			
	Stainless Steel		
Suffix	71		
Example	RHD16S71		

WV Alternating valve

EO 24° cone end / EO 24° cone end / EQ 24° cone end

These valves permit the passage of flow from either inlet 1 or 2 to the outlet port whilst shutting of the inlet port not in use. The shutting off, of an inlet is achieved by a floating ball bearing which moves by the pressure of the flow.



Material: steel
Surface finish: Cr(VI)-free.

Valves are not recommended for compressed air and gases.
WV-valves are not to be used in connection with weld nipples, swivel nuts etc. where there is no contact with a shoulder stop in the inner cone.

Temperature range without pressure reductions: -40°C up to +120°C.

Recommended fitting position as shown in the picture.

Leakage rate for alternating valves hydraulic test
with test pressure = P_{max} : approx. 20 drops (test period of 1 minute).

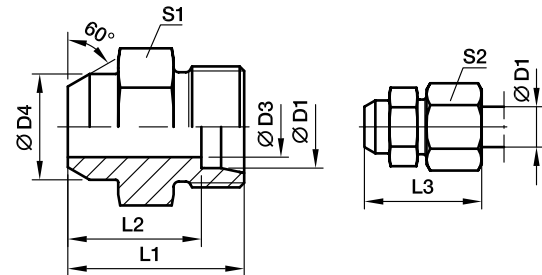
Directions of flow:

$D_1 \rightarrow D_3 = D_2$ closed
 $D_2 \rightarrow D_3 = D_1$ closed

Series	D1 Ø	T1	DN	L1	L2	L3	S1	S2	Weight g/1 piece	Order code	PN (bar)
L	8	M 14x1.5	4.5	21	14	29	14	17	53	WV08LOMD	160
	10	M 16x1.5	6.0	22	15	30	17	19	73	WV10LOMD	160
	12	M 18x1.5	7.5	24	17	32	19	22	96	WV12LOMD	160
	15	M 22x1.5	10.0	28	21	36	19	27	134	WV15LOMD	160

AS Weld connector

Butt weld / EO 24° cone end

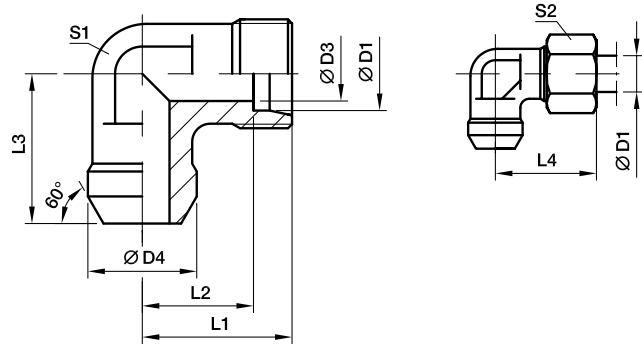


Series	Ø D1	D3	D4	L1	L2	L3	S1	S2	Weight g/1 piece	Order code	PN (bar)	
											Steel	Stainless Steel
L	06	4	10	21	14.0	29	12	14	11	AS06L	315	315
	08	6	12	23	16.0	31	14	17	15	AS08L	315	315
	10	8	14	25	18.0	33	17	19	22	AS10L	315	315
	12	10	16	25	18.0	33	19	22	25	AS12L	315	315
	15	12	19	29	22.0	37	22	27	44	AS15L	315	315
	18	15	22	31	23.5	40	27	32	67	AS18L	315	315
	22	19	27	36	28.5	45	32	36	98	AS22L	160	160
	28	24	32	38	30.5	47	41	41	165	AS28L	160	160
	35	30	40	43	32.5	54	46	50	232	AS35L	160	160
42	36	46	46	35.0	58	55	60	342	AS42L	160	160	
S	06	4	11	26	19.0	34	14	17	21	AS06S	630	630
	08	5	13	28	21.0	36	17	19	31	AS08S	630	630
	10	7	15	30	22.5	39	19	22	41	AS10S	630	630
	12	8	17	32	24.5	41	22	24	93	AS12S	630	630
	14	10	19	35	27.0	45	24	27	55	AS14S	630	630
	16	12	21	35	26.5	45	27	30	82	AS16S	400	400
	20	16	26	40	29.5	51	32	36	131	AS20S	400	400
	25	20	31	44	32.0	56	41	46	219	AS25S	400	400
	30	25	36	49	35.5	62	46	50	297	AS30S	400	400
	38	32	44	54	38.0	69	55	60	448	AS38S	315	315

Order code suffixes			
	Stainless Steel		Body Only
Suffix	71		X
Example	AS16S71		AS16SX

WAS Weld elbow

Butt weld / EO 24° cone end

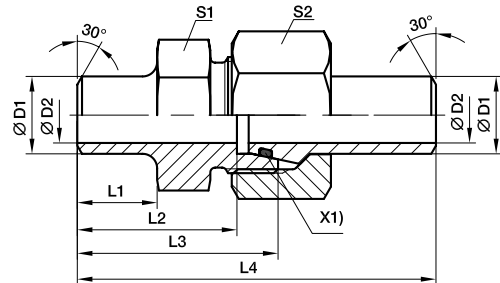


Series	Ø D1	D3	D4	L1	L2	L3	L4	S1	S2	Weight g/1 piece	Order code	PN (bar)	
												Steel	Stainless Steel
L	06	4	10	19	12.0	19	27	12	14	20	WAS06L	315	315
	08	6	12	21	14.0	23	29	12	17	25	WAS08L	315	315
	10	8	14	22	15.0	24	30	14	19	34	WAS10L	315	315
	12	10	16	24	17.0	25	32	17	22	45	WAS12L	315	315
	15	12	19	28	21.0	30	36	19	27	81	WAS15L	315	315
	18	15	22	31	23.5	33	40	24	32	113	WAS18L	315	315
	22	19	27	35	27.5	37	44	27	36	151	WAS22L	160	160
	28	24	32	38	30.5	42	47	36	41	271	WAS28L	160	160
	35	30	40	45	34.5	49	56	41	50	113	WAS35L	160	160
42	36	46	51	40.0	57	63	50	60	420	WAS42L	160	160	
S	06	4	11	23	16.0	23	31	12	17	31	WAS06S	630	630
	08	5	13	24	17.0	24	32	14	19	44	WAS08S	630	630
	10	7	15	25	17.5	25	34	17	22	59	WAS10S	630	630
	12	8	17	29	21.5	29	38	17	24	78	WAS12S	630	630
	14	10	19	30	22.0	30	40	19	27	98	WAS14S	630	630
	16	12	21	33	24.5	33	43	24	30	133	WAS16S	400	400
	20	16	26	37	26.5	37	48	27	36	192	WAS20S	400	400
	25	20	31	42	30.0	42	54	36	46	351	WAS25S	400	400
	30	25	36	49	35.5	49	62	41	50	525	WAS30S	400	400
38	32	44	57	41.0	57	72	50	60	785	WAS38S	315	315	

Order code suffixes			
	Stainless Steel		Body Only
Suffix	71		X
Example	WAS16S71		WAS16SX

ASK Weld fitting for tubes

Butt weld / Butt weld



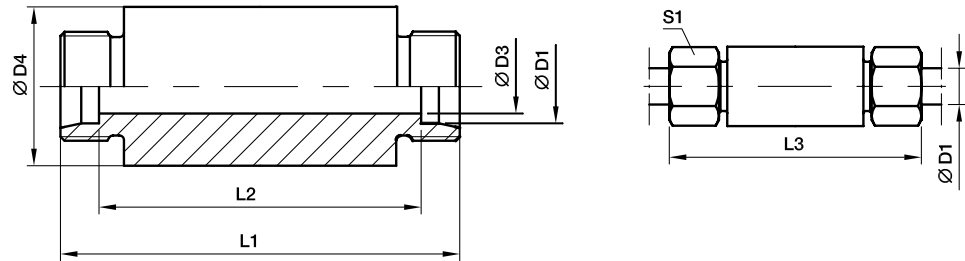
X1) O-ring

Series	Ø D1	D2	L1	L2	L3	L4	S1	S2	recommended tube	Weight g/1 piece	Order code	PN (bar)	
												Steel	Stainless Steel
S	10	8	10.0	24.5	32.0	58.0	19	22	10×1.0	75	ASK610X1S	249	242
	10	7	10.0	24.5	32.0	58.0	19	22	10×1.5	81	ASK610X1.5S	358	349
	10	6	10.0	24.5	32.0	58.0	19	22	10×2.0	86	ASK610X2S	460	447
	12	9	15.0	29.5	37.0	63.0	22	24	12×1.5	106	ASK612X1.5S	305	297
	12	8	15.0	29.5	37.0	63.0	22	24	12×2.0	107	ASK612X2S	393	383
	12	7	15.0	29.5	37.0	63.0	22	24	12×2.5	109	ASK612X2.5S	476	463
	16	13	16.5	33.0	41.5	73.5	27	30	16×1.5	166	ASK616X1.5S	234	228
	16	12	16.5	33.0	41.5	73.5	27	30	16×2.0	175	ASK616X2S	305	297
	16	11	16.5	33.0	41.5	73.5	27	30	16×2.5	184	ASK616X2.5S	372	362
	16	10	16.5	33.0	41.5	73.5	27	30	16×3.0	193	ASK616X3S	400	400
	20	16	19.0	36.5	47.0	83.5	32	36	20×2.0	301	ASK620X2S	249	242
	20	15	19.0	36.5	47.0	83.5	32	36	20×2.5	311	ASK620X2.5S	305	297
	20	14	19.0	36.5	47.0	83.5	32	36	20×3.0	316	ASK620X3S	358	349
	20	12	19.0	36.5	47.0	83.5	32	36	20×4.0	322	ASK620X4S	400	400
	25	19	19.5	39.5	51.5	92.5	41	46	25×3.0	551	ASK625X3S	294	286
	25	17	19.5	39.5	51.5	92.5	41	46	25×4.0	559	ASK625X4S	379	369
	25	15	19.5	39.5	51.5	92.5	41	46	25×5.0	589	ASK625X5S	400	400
	30	24	23.0	44.5	58.0	101.5	46	50	30×3.0	671	ASK630X3S	249	242
	30	22	23.0	44.5	58.0	101.5	46	50	30×4.0	679	ASK630X4S	323	314
	30	20	23.0	44.5	58.0	101.5	46	50	30×5.0	726	ASK630X5S	393	383
30	18	23.0	44.5	58.0	101.5	46	50	30×6.0	791	ASK630X6S	400	400	
38	30	22.0	44.0	60.0	108.0	55	60	38×4.0	988	ASK638X4S	261	254	
38	28	22.0	44.0	60.0	108.0	55	60	38×5.0	1044	ASK638X5S	315	311	
38	26	22.0	44.0	60.0	108.0	55	60	38×6.0	1108	ASK638X6S	315	315	
38	24	22.0	44.0	60.0	108.0	55	60	38×7.0	1205	ASK638X7S	315	315	

Order code suffixes			
	Stainless Steel		Body Only
Suffix	71		X
Example	ASK616X271		ASK616X2SX

ESV - Weld bulkhead fitting

EO 24° cone end / EO 24° cone end

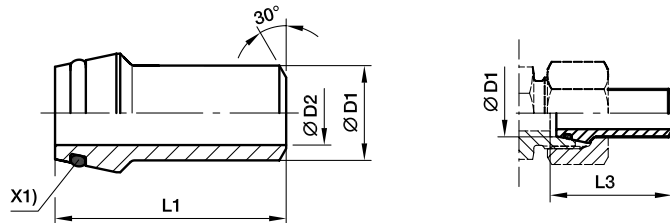


Series	Ø D1	D3	D4	L1	L2	L3	S1	Weight g/1 piece	Order code	PN (bar)	
										Steel	Stainless Steel
L	06	4	18	70	56	85	14	103	ESV06L	500	315
	08	6	20	70	56	85	17	121	ESV08L	500	315
	10	8	22	72	58	87	19	142	ESV10L	500	315
	12	10	25	72	58	87	22	176	ESV12L	400	315
	15	12	28	84	70	100	27	262	ESV15L	400	315
	18	15	32	84	69	101	32	333	ESV18L	400	315
	22	19	36	88	73	105	36	394	ESV22L	250	160
	28	24	40	88	73	106	41	448	ESV28L	250	160
	35	30	50	92	71	114	50	713	ESV35L	250	160
	42	36	60	92	70	115	60	997	ESV42L	250	160
S	06	4	20	74	60	89	17	135	ESV06S	800	630
	08	5	22	74	60	89	19	163	ESV08S	800	630
	10	7	25	74	59	91	22	201	ESV10S	800	630
	12	8	28	74	59	91	24	249	ESV12S	630	630
	14	10	30	88	72	107	27	337	ESV14S	630	630
	16	12	35	88	71	107	30	441	ESV16S	630	400
	20	16	38	92	71	114	36	509	ESV20S	420	400
	25	20	45	96	72	120	46	720	ESV25S	420	400
	30	25	50	100	73	126	50	873	ESV30S	420	400
	38	32	60	104	72	133	60	1248	ESV38S	420	315

Order code suffixes			
	Stainless Steel		Body Only
Suffix	71		X
Example	ESV16S71		ESV16SX

SKA - Weld nipple

EO 24° O-ring weld nipple / butt weld



X1) O-ring

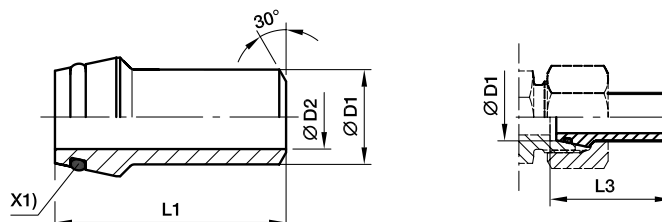
Series	Ø D1	D2	L1	L3	recommended tube	Weight g/1 piece	Order code	PN (bar)	
								Steel	Stainless Steel
L/S	06	3.0	31.0	31.5	06×1.5	7	SKA06X1.5	528	539
	08	4.5	31.0	31.5	08×1.5	11	SKA08X1.5	414	424
	08	4.0	31.0	31.5	08×2.0	11	SKA08X2	528	539
	10	8.0	32.5	33.5	10×1.0	13	SKA10X1	249	242
	10	7.0	32.5	33.5	10×1.5	13	SKA10X1.5	358	349
	10	6.0	32.5	33.5	10×2.0	16	SKA10X2	460	447
	12	9.0	32.5	33.5	12×1.5	21	SKA12X1.5	305	297
	12	8.0	32.5	33.5	12×2.0	20	SKA12X2	393	383
L	12	7.0	32.5	33.5	12×2.5	22	SKA12X2.5	476	463
	15	11.0	34.0	34.5	15×2.0	29	SKA15X2	315	315
	15	10.0	34.0	34.5	15×2.5	31	SKA15X2.5	315	315
	18	13.0	35.5	36.5	18×2.5	40	SKA18X2.5	315	315
	22	17.0	38.5	39.5	22×2.5	57	SKA22X2.5	160	160
	28	23.0	41.5	42.5	28×2.5	73	SKA28X2.5	160	160
	28	22.0	41.5	42.5	28×3.0	89	SKA28X3	160	160
	35	28.0	47.5	49.5	35×3.5	140	SKA35X3.5	160	160
	35	27.0	47.5	49.5	35×4.0	150	SKA35X4	160	160
	42	36.0	47.5	50.0	42×3.0	155	SKA42X3	160	160
42	34.0	47.5	50.0	42×4.0	190	SKA42X4	160	160	

continued on next page...

Order code suffixes		
	Stainless Steel	
Suffix	71	
Example	SKA16X271	

SKA - Weld nipple

EO 24° O-ring weld nipple / butt weld



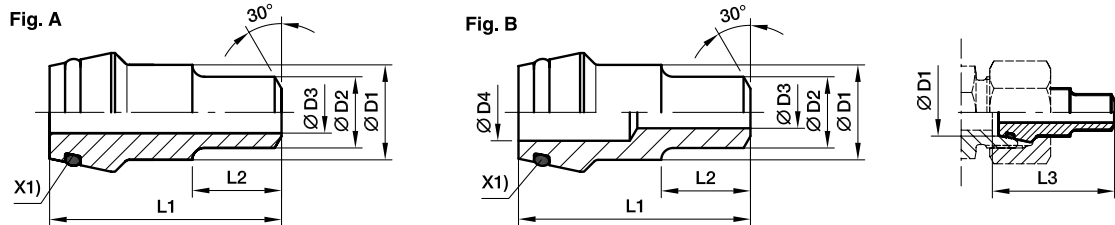
X1) O-ring

Series	Ø D1	D2	L1	L3	recommended tube	Weight g/1 piece	Order code	PN (bar)	
								Steel	Stainless Steel
S	14	10.0	38.5	39.5	14×2.0	26	SKA14X2	343	334
	14	8.0	38.5	39.5	14×3.0	33	SKA14X3	487	474
	16	13.0	39.0	40.5	16×1.5	32	SKA16X1.5	234	228
	16	12.0	39.0	40.5	16×2.0	31	SKA16X2	305	297
	16	11.0	39.0	40.5	16×2.5	38	SKA16X2.5	372	362
	16	10.0	39.0	40.5	16×3.0	41	SKA16X3	400	400
	20	16.0	45.0	47.0	20×2.0	57	SKA20X2	249	242
	20	15.0	45.0	47.0	20×2.5	57	SKA20X2.5	305	297
	20	14.0	45.0	47.0	20×3.0	64	SKA20X3	358	349
	20	13.0	45.0	47.0	20×3.5	71	SKA20X3.5	400	400
	20	12.0	45.0	47.0	20×4.0	78	SKA20X4	400	400
	25	19.0	49.5	53.0	25×3.0	89	SKA25X3	294	286
	25	18.0	49.5	53.0	25×3.5	100	SKA25X3.5	337	328
	25	17.0	49.5	53.0	25×4.0	111	SKA25X4	379	369
	25	15.0	49.5	53.0	25×5.0	125	SKA25X5	400	400
	30	24.0	52.0	57.0	30×3.0	113	SKA30X3	249	242
	30	22.0	52.0	57.0	30×4.0	141	SKA30X4	323	314
	30	20.0	52.0	57.0	30×5.0	166	SKA30X5	393	383
	30	18.0	52.0	57.0	30×6.0	188	SKA30X6	400	400
	38	32.0	56.5	64.0	38×3.0	163	SKA38X3	200	195
38	30.0	56.5	64.0	38×4.0	209	SKA38X4	261	254	
38	28.0	56.5	64.0	38×5.0	247	SKA38X5	315	315	
38	26.0	56.5	64.0	38×6.0	270	SKA38X6	315	315	
38	24.0	56.5	64.0	38×7.0	270	SKA38X7	315	315	

Order code suffixes		
	Stainless Steel	
Suffix	71	
Example	SKA16X271	

SKAR - Reducing weld nipple

EO 24° O-ring weld nipple / butt weld



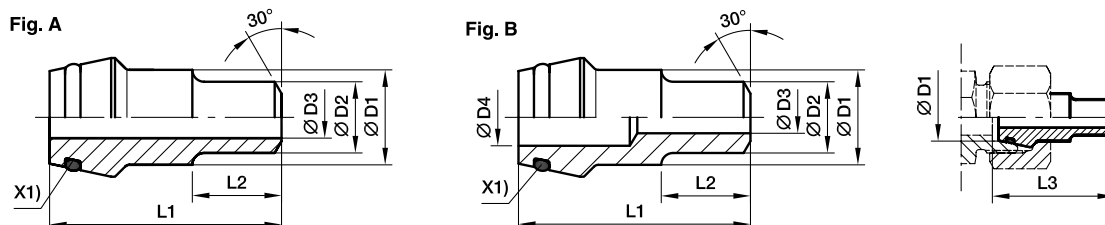
X1) O-ring

Series	Ø D1	D2	D3	D4	L1	L2	L3	Fig.	Weight g/1 piece	Order code	PN (bar)		
											Steel	Stainless Steel	
L/S	08	06	3		31.0	12	31.5	A	14	SKAR08/06X1.5	528	539	
	10	06	3	5	32.5	12	33.5	B	15	SKAR10/06X1.5	528	539	
	10	08	5		32.5	12	33.5	A	16	SKAR10/08X1.5	414	424	
	10	08	4		32.5	12	33.5	A	17	SKAR10/08X2	528	539	
	12	08	5		32.5	14	33.5	A	18	SKAR12/08X1.5	414	424	
	12	08	4	6		32.5	14	33.5	B	20	SKAR12/08X2	528	539
	12	10	7		32.5	14	33.5	A	18	SKAR12/10X1.5	358	349	
S	16	10	6		39.0	15	40.5	A	43	SKAR16/10X2	400	400	
	16	12	9		39.0	15	40.5	A	45	SKAR16/12X1.5	305	297	
	16	12	8		39.0	15	40.5	A	47	SKAR16/12X2	393	383	
	16	12	7		39.0	15	40.5	A	49	SKAR16/12X2.5	400	400	
	20	12	9		45.0	17	47.0	A	76	SKAR20/12X1.5	305	297	
	20	12	8		45.0	17	47.0	A	78	SKAR20/12X2	393	383	
	20	12	7		45.0	17	47.0	A	80	SKAR20/12X2.5	400	400	
	20	12	6		45.0	17	47.0	A	86	SKAR20/12X3	400	400	
	20	16	12		45.0	17	47.0	A	74	SKAR20/16X2	305	297	
	20	16	11		45.0	17	47.0	A	76	SKAR20/16X2.5	372	362	
	20	16	10		45.0	17	47.0	A	78	SKAR20/16X3	400	400	
	25	12	9		49.5	20	53.0	A	117	SKAR25/12X1.5	305	297	
	25	12	8		49.5	20	53.0	A	121	SKAR25/12X2	393	383	
	25	12	7		49.5	20	53.0	A	125	SKAR25/12X2.5	400	400	
	25	12	6	15		49.5	20	53.0	B	129	SKAR25/12X3	400	400
	25	16	12		49.5	20	53.0	A	115	SKAR25/16X2	305	297	
	25	16	11		49.5	20	53.0	A	120	SKAR25/16X2.5	372	362	
	25	16	10		49.5	20	53.0	A	123	SKAR25/16X3	400	400	
	25	20	16		49.5	20	53.0	A	94	SKAR25/20X2	249	242	
	25	20	15		49.5	20	53.0	A	104	SKAR25/20X2.5	305	297	
	25	20	14		49.5	20	53.0	A	114	SKAR25/20X3	358	349	
	25	20	12		49.5	20	53.0	A	124	SKAR25/20X4	400	400	
	30	12	9	22		52.0	22	57.0	B	135	SKAR30/12X1.5	305	297
	30	12	8	22		52.0	22	57.0	B	145	SKAR30/12X2	323	383
	30	12	6	22		52.0	22	57.0	B	155	SKAR30/12X3	400	400
	30	16	12		52.0	22	57.0	A	166	SKAR30/16X2	305	297	
	30	16	11		52.0	22	57.0	A	176	SKAR30/16X2.5	323	362	
	30	20	16		52.0	22	57.0	A	149	SKAR30/20X2	249	242	
	30	20	15		52.0	22	57.0	A	159	SKAR30/20X2.5	305	297	
	30	20	14		52.0	22	57.0	A	169	SKAR30/20X3	358	349	
30	20	12		52.0	22	57.0	A	184	SKAR30/20X4	400	400		
30	25	20		52.0	22	57.0	A	141	SKAR30/25X2.5	249	242		
30	25	19		52.0	22	57.0	A	156	SKAR30/25X3	294	286		
30	25	17		52.0	22	57.0	A	168	SKAR30/25X4	379	369		

continued on next page...

SKAR - Reducing weld nipple

EO 24° O-ring weld nipple / butt weld



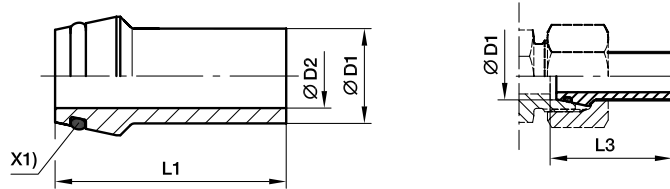
X1) O-ring

Series	Ø D1	D2	D3	D4	L1	L2	L3	Fig.	Weight g/1 piece	Order code	PN (bar)	
											Steel	Stainless Steel
S	38	12	9	28	56.5	26	64.0	B	219	SKAR38/12X1.5	305	297
	38	12	8	28	56.5	26	64.0	B	234	SKAR38/12X2	315	315
	38	12	6	28	56.5	26	64.0	B	249	SKAR38/12X3	315	315
	38	16	12		56.5	26	64.0	A	279	SKAR38/16X2	305	297
	38	16	11		56.5	26	64.0	A	294	SKAR38/16X2.5	315	315
	38	16	10		56.5	26	64.0	A	309	SKAR38/16X3	315	315
	38	20	16		56.5	26	64.0	A	263	SKAR38/20X2	249	242
	38	20	15		56.5	26	64.0	A	278	SKAR38/20X2.5	305	297
	38	20	14		56.5	26	64.0	A	293	SKAR38/20X3	315	315
	38	20	12		56.5	26	64.0	A	299	SKAR38/20X4	315	315
	38	25	20		56.5	26	64.0	A	242	SKAR38/25X2.5	249	242
	38	25	19		56.5	26	64.0	A	262	SKAR38/25X3	294	286
	38	25	17		56.5	26	64.0	B	285	SKAR38/25X4	315	315
	38	30	24		56.5	26	64.0	A	256	SKAR38/30X3	249	242
	38	30	22		56.5	26	64.0	A	286	SKAR38/30X4	315	315
38	30	20		56.5	26	64.0	A	316	SKAR38/30X5	315	315	

Order code suffixes		
	Stainless Steel	
Suffix	71	
Example	SKAR16/12X271	

SKA-ORB - Weld nipple (orbital)

EO 24° O-ring weld nipple / butt weld (orbital)



X1) O-ring

Series	Ø D1	D2	L1	L3	recommended tube	Weight g/1 piece	Order code	PN (bar) Stainless Steel
L/S	10	6.0	37.5	38.5	10×1.5	13	SKA10X1.5ORB	358
	12	8.0	37.5	38.5	12×1.5	21	SKA12X1.5ORB	305
	12	8.0	37.5	38.5	12×2.0	255	SKA12X2ORB	393
L	18	13.0	38.0	39.0	18×2.0	43	SKA18X2ORB	290
	22	17.0	38.5	39.5	22×2.0	50	SKA22X2ORB	250
	28	22.0	41.5	42.5	28×2.0	69	SKA28X2ORB	204
	42	36.0	47.5	50.0	42×3.0	160	SKA42X3ORB	182
S	16	12.0	39.0	40.5	16×2.0	310	SKA16X2ORB	305
	20	14.0	45.0	47.0	20×3.0	640	SKA20X3ORB	358
	25	19.0	49.5	53.0	25×3.0	890	SKA25X3ORB	294

Order code suffixes			
	Stainless Steel		
Suffix	71		
Example	SKA16X2ORB71		

EMA3-Test Point fitting

- For pressure monitoring and checking on high, low and negative pressure systems.
- For bleeding cylinders and hydraulic systems.
- For taking samples on high, low and negative pressure systems.

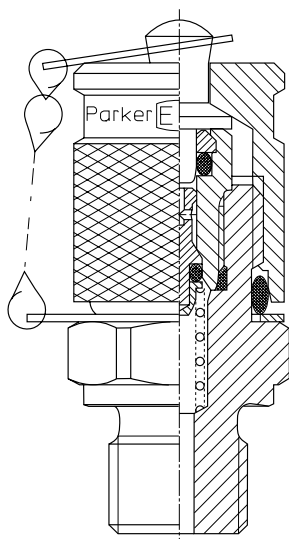
Advantages:

- Leakfree connection before valve is open
- Sturdy, safe constructions for small dimensions
- Easy handling
- Simple connection of measuring, control and switching devices
- Coupling under pressure up to 400 bar is possible with screw couplings
- Nominal pressures up to 630 bar
- Self locking metal guard cap, vibration resistant

Sealing system of the primary seal:

EMA3 by cone seal with O-ring.

The new EMA3 sealing system guarantees minimum leakage rates.



Working pressure

- EMA3 types up to 630 bar
- Max. working pressure 630 bar for GMA, VKA and EMA... the recommended working pressure of fitting manufacturer has to be applied
- Joining under pressure up to 400 bar max.
- The allowable nominal pressures of each Test-Point are shown on the product pages.

Materials and Temperatures:

- Steel, zinc plated, Cr(VI)-free
- Stainless Steel, material 1.4571
- Seals:
 - FKM (Temperature range -20 to +200°C)
 - EPDM Ethylene Propylene (for Break Fluid) (Temperature range -40 to +150°C)
- Hose:
 - Polyamide (Temperature range: -35°C ... 100°C max.)
- Stainless Steel FKM only

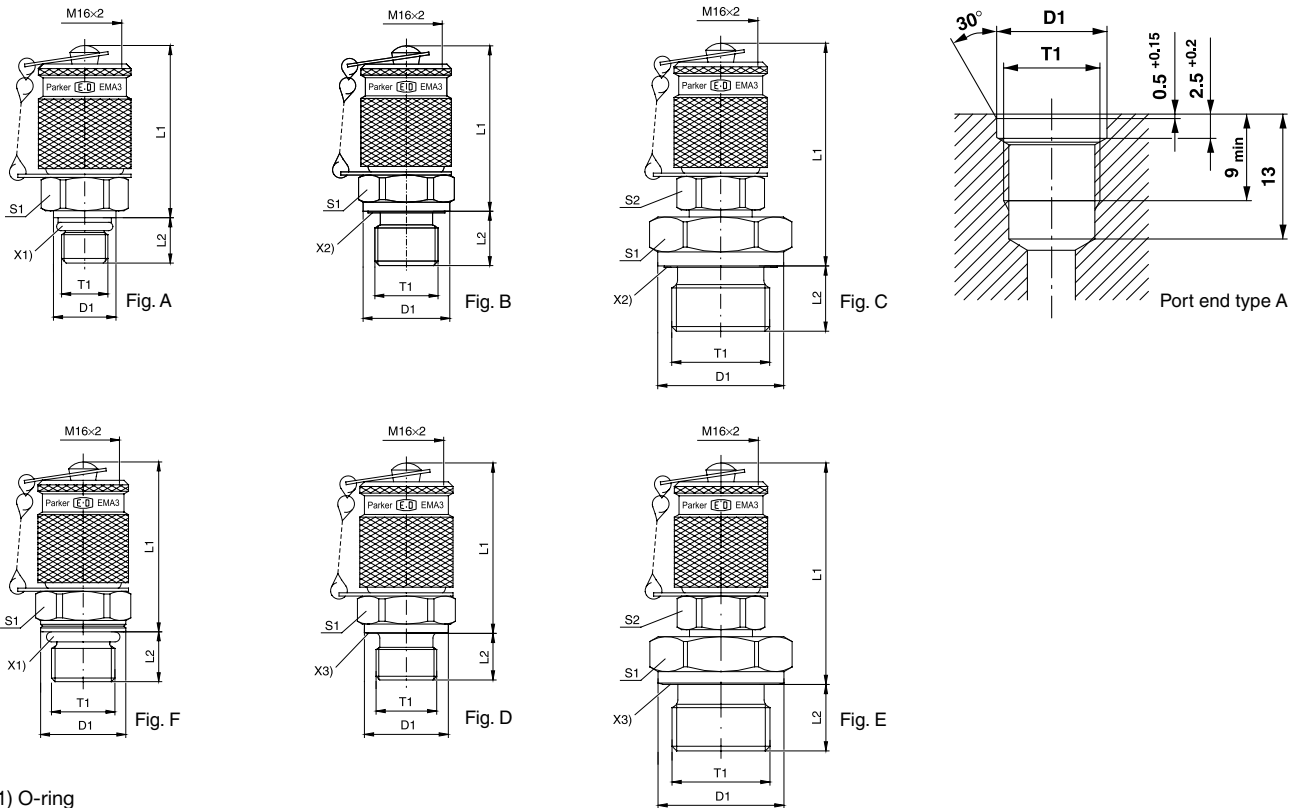
Media:

- Suitable for hydraulic oils and other mineral oil based fluids (Please pay attention to the sealing materials used!)

Perbunan = registered trademark of Bayer

EMA3 - Test Point with threaded connection M 16x2

Male thread: BSP, metric



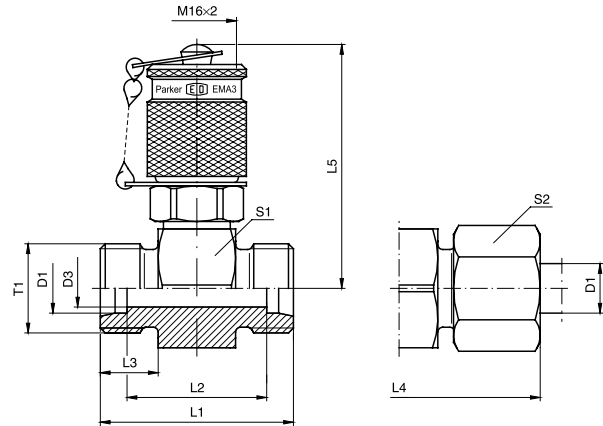
- X1) O-ring
- X2) Elastic sealing
- X3) Cutting face

T1	D1	L1	L2	S1	S2	Fig.	Weight g/1 piece	Order code	PN (bar)		DF**	
									CF	71	CF	71
M 08x1.0	9.5	38.5	7.5	17		A	66	EMA3/8X10R	250		4.0	
M 10x1.0	11.5	37.0	7.5	17		A	70	EMA3/10X10R	630	630	4.0	4
M 14x1.5	18.8	39.5	11.0	19		F	79	EMA3/14X1.5ISO	630	630	4.0	4
M 10x1.0	14.0	40.0	8.0	17		D	67	EMA3/10X1	400		4.0	
M 12x1.5	17.0	38.0	12.0	17		D	74	EMA3/12X1.5	400		4.0	
M 14x1.5	19.0	39.0	12.0	19		D	78	EMA3/14X1.5	400		4.0	
M 16x1.5	21.0	40.0	12.0	22		D	90	EMA3/16X1.5	400		4.0	
G 1/8	14.0	37.5	8.0	17		D	70	EMA3/1/8	400		4.0	
G 1/4	18.0	39.0	12.0	19		D	77	EMA3/1/4	400		4.0	
G 3/8	22.0	40.5	12.0	22		D	91	EMA3/3/8	400		4.0	
G 1/2	26.0	46.0	14.0	27	17	E	137	EMA3/1/2	400		3.4	
G 1/8	14.0	37.5	8.0	17		B	72	EMA3/1/8ED	400	400	4.0	4
G 1/4	19.0	39.0	12.0	19		B	76	EMA3/1/4ED	630	630	4.0	4
G 3/8	22.0	40.5	12.0	22		B	93	EMA3/3/8ED	630	630	4.0	4
M 10x1.0	14.0	40.0	8.0	17		B	71	EMA3/10X1ED	400	400	4.0	4
M 12x1.5	17.0	38.0	12.0	17		B	72	EMA3/12X1.5ED	630	630	4.0	4
M 14x1.5	19.0	39.0	12.0	19		B	77	EMA3/14X1.5ED	400	400	4.0	4
G 1/2	27.0	46.0	14.0	27	17	C	135	EMA3/1/2ED	400	400	4.0	4

**DF = Design Factor

Order code suffixes			
	Stainless Steel		
Suffix	71		
Example	EMA3/1/4ED71		

GMA3 - Straight Test Point with threaded connection M 16x2



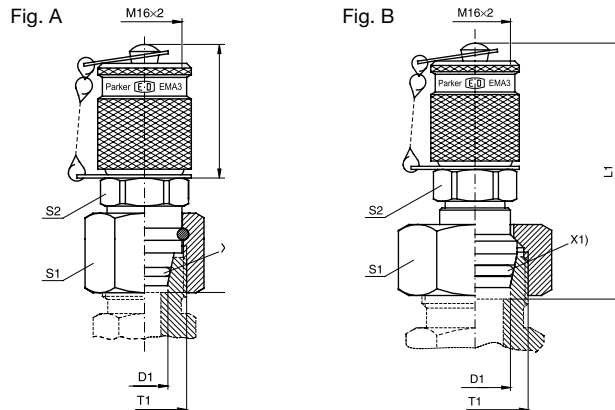
Series	D1	T1	D3	L1	L2	L3	L4	L5	S1	S2	Weight g/1 piece	Order code	PN (bar)		DF**	
													CF	71	CF	71
L	06	M 12x1.5	4	35	21	10	51	49.0	24	14	126	GMA3/06L	315	315	4	4
	08	M 14x1.5	6	35	21	10	51	49.0	24	17	128	GMA3/08L	315	315	4	4
	10	M 16x1.5	7	37	23	11	53	49.0	24	19	132	GMA3/10L	315	315	4	4
	12	M 18x1.5	8	37	23	11	53	50.5	27	22	145	GMA3/12L	315	315	4	4
	15	M 22x1.5	11	39	25	12	55	52.0	30	27	174	GMA3/15L	315	315	4	4
	18	M 26x1.5	14	39	24	12	57	53.0	32	32	192	GMA3/18L	315	315	4	4
	22	M 30x2.0	18	43	28	14	61	55.0	36	36	220	GMA3/22L	160	160	4	4
	28	M 36x2.0	23	43	28	14	61	57.5	41	41	259	GMA3/28L	160	160	4	4
	35	M 45x2.0	30	47	26	16	69	60.0	46	50	363	GMA3/35L	160	160	4	4
	42	M 52x2.0	36	47	25	16	71	64.5	55	60	419	GMA3/42L	160	160	4	4
S	06	M 14x1.5	4	39	25	12	55	49.0	24	17	137	GMA3/06S	630	630	4	4
	08	M 16x1.5	5	39	25	12	55	49.0	24	19	141	GMA3/08S	630	630	4	4
	10	M 18x1.5	7	39	24	12	57	49.0	24	22	141	GMA3/10S	630	630	4	4
	12	M 20x1.5	7	39	24	12	57	49.0	24	24	150	GMA3/12S	630	630	4	4
	14	M 22x1.5	10	43	27	14	63	50.5	27	27	172	GMA3/14S	630	630	4	4
	16	M 24x1.5	11	43	26	14	63	52.0	30	30	195	GMA3/16S	400	400	4	4
	20	M 30x2.0	15	47	26	16	69	55.0	36	36	254	GMA3/20S	400	400	4	4
	25	M 36x2.0	20	51	27	18	75	57.5	41	46	329	GMA3/25S	400	400	4	4
	30	M 42x2.0	25	55	28	20	81	60.0	46	50	412	GMA3/30S	400	400	4	4
	38	M 52x2.0	32	61	29	22	91	64.5	55	60	616	GMA3/38S	315	315	4	4

**DF = Design Factor

Order code suffixes			
	Stainless Steel		
Suffix	71		
Example	GMA3/12L71		

VKA3 - Test Point for cones with threaded connection M 16x2 Series 3

With 24° cone swivel nut connection



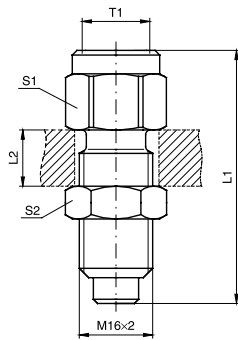
X1) O-ring

Series	D1	T1	L1	S1	S2	Fig.	Weight g/1 piece	Order code	PN (bar)		DF**	
									CF	71	CF	71
L	06	M 12×1.5	55	14	17	A	82	VKA3/06L	315	315	4	4
	08	M 14×1.5	51	17	17	A	82	VKA3/08L	315	315	4	4
	10	M 16×1.5	53	19	17	A	93	VKA3/10L	315	315	4	4
	12	M 18×1.5	53	22	17	A	107	VKA3/12L	315	315	4	4
	15	M 22×1.5	59	27	17	B	133	VKA3/15L	315	315	4	4
	18	M 26×1.5	59	32	17	B	163	VKA3/18L	315	315	4	4
	22	M 30×2.0	60	36	17	B	205	VKA3/22L	160	160	4	4
	28	M 36×2.0	64	41	17	B	269	VKA3/28L	160	160	4	4
S	35	M 45×2.0	71	50	17	B	411	VKA3/35L	160	160	4	4
	42	M 52×2.0	72	60	17	B	592	VKA3/42L	160	160	4	4
	06	M 14×1.5	50	17	17	A	81	VKA3/06S	630	630	4	4
	08	M 16×1.5	52	19	17	A	88	VKA3/08S	630	630	4	4
	10	M 18×1.5	53	22	17	A	99	VKA3/10S	630	630	4	4
	12	M 20×1.5	54	24	19	A	121	VKA3/12S	630	630	4	4
	14	M 22×1.5	59	27	17	B	136	VKA3/14S	630	630	4	4
	16	M 24×1.5	58	30	17	B	156	VKA3/16S	400	400	4	4
	20	M 30×2.0	65	36	17	B	223	VKA3/20S	400	400	4	4
	25	M 36×2.0	68	46	17	B	367	VKA3/25S	400	400	4	4
30	M 42×2.0	74	50	17	B	444	VKA3/30S	400	400	4	4	
38	M 52×2.0	81	60	17	B	655	VKA3/38S	315	315	4	4	

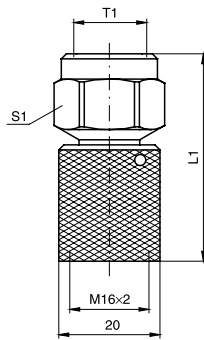
**DF = Design Factor

Order code suffixes		
	Stainless Steel	
Suffix	71	
Example	VKA3/12L71	

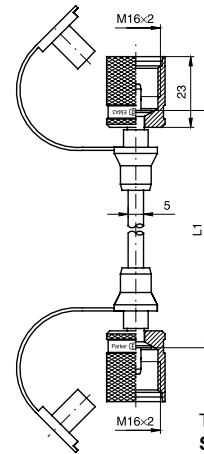
MAV...MA3 - MAVMD...MA3 - SMA3



Pressure gauge connector:
MAV...MA3



Gauge-Direct-Connector:
MAVMD...MA3



Test hose:
SMA3

T1	L1	L2 max.	S1	S2	Weight g/1 piece	Order code	PN (bar) CF	DF**
G 1/4	54.0	12	19	19	74	MAV1/4MA3	630	4.0
G 1/2	64.0	12	27	19	129	MAV1/2MA3	630	4.0
G 1/4	41.0		19		61	MAVMD1/4MA3	630	4.0
G 1/2	51.5		27		103	MAVMD1/2MA3	630	4.0
	200.0				73	SMA3-200	630	2.5
	300.0				74	SMA3-300	630	2.5
	400.0				74	SMA3-400	630	2.5
	630.0				79	SMA3-630	630	2.5
	800.0				83	SMA3-800	630	2.5
	1000.0				87	SMA3-1000	630	2.5
	1500.0				95	SMA3-1500	630	2.5
	2000.0				105	SMA3-2000	630	2.5
	2500.0				110	SMA3-2500	630	2.5
	3200.0				125	SMA3-3200	630	2.5
	4000.0				137	SMA3-4000	630	2.5

Order code suffixes			
	Stainless Steel		
Suffix	71		
Example	MAV1/4MA371		

A large grid of graph paper, consisting of 20 columns and 40 rows of small squares, intended for taking notes.

Alphanumerical index

AS06L.....	147	D20SMS.....	21	DG104/30SM.....	124	DKAZ11/2.....	114
AS06S.....	147	D22LMS.....	21	DG104/30SR.....	123	DKAZ11/4.....	114
AS08L.....	147	D25SMS.....	21	DG104/38SM.....	124	DKAZ11/4.....	114
AS08S.....	147	D28LMS.....	21	DG104/38SR.....	123	DKAZ12.....	114
AS10L.....	147	D30SMS.....	21	DG105/12S.....	125	DKAZ14.....	114
AS10S.....	147	D35LMS.....	21	DG105/16S.....	125	DKAZ16.....	114
AS12L.....	147	D38SMS.....	21	DG105/20S.....	125	DKAZ18.....	114
AS12S.....	147	D42LMS.....	21	DG105/25S.....	125	DKAZ20.....	114
AS14S.....	147	DA06L.....	39	DG105/30S.....	125	DKAZ22.....	114
AS15L.....	147	DA06S.....	39	DG105/38S.....	125	DKAZ26.....	114
AS16S.....	147	DA08L.....	39	DG106/12SM.....	127	DKAZ27.....	114
AS18L.....	147	DA08S.....	39	DG106/12SR.....	126	DKAZ33.....	114
AS20S.....	147	DA10L.....	39	DG106/16SM.....	127	DKI1/2.....	112
AS22L.....	147	DA10S.....	39	DG106/16SR.....	126	DKI1/4.....	112
AS25S.....	147	DA12L.....	39	DG106/20SM.....	127	DKI1/271X.....	112
AS28L.....	147	DA12S.....	39	DG106/20SR.....	126	DKI1/471X.....	112
AS30S.....	147	DA14S.....	39	DG106/25SM.....	127	DOZ04LL.....	109
AS35L.....	147	DA15L.....	39	DG106/25SR.....	126	DOZ06L.....	109
AS38S.....	147	DA16S.....	39	DG106/30SM.....	127	DOZ06LL.....	109
AS42L.....	147	DA18L.....	39	DG106/30SR.....	126	DOZ06S.....	109
ASK610X1.5S.....	149	DA20S.....	39	DG106/38SM.....	127	DOZ08L.....	109
ASK610X1S.....	149	DA22L.....	39	DG106/38SR.....	126	DOZ08S.....	109
ASK610X2S.....	149	DA25S.....	39	DG107/06S.....	128	DOZ10L.....	109
ASK612X1.5S.....	149	DA28L.....	39	DG107/08S.....	128	DOZ10S.....	109
ASK612X2.5S.....	149	DA30S.....	39	DG107/12S.....	128	DOZ12L.....	109
ASK612X2S.....	149	DA35L.....	39	DG107/16S.....	128	DOZ12S.....	109
ASK616X1.5S.....	149	DA38S.....	39	DG107/20S.....	128	DOZ14S.....	109
ASK616X2.5S.....	149	DA42L.....	39	DG107/25S.....	128	DOZ15L.....	109
ASK616X2S.....	149	DG101/06S.....	119	DG107/30S.....	128	DOZ16S.....	109
ASK616X3S.....	149	DG101/08S.....	119	DG107/38S.....	128	DOZ18L.....	109
ASK620X2.5S.....	149	DG101/12S.....	119	DG108/06S.....	129	DOZ20S.....	109
ASK620X2S.....	149	DG101/16S.....	119	DG108/08S.....	129	DOZ22L.....	109
ASK620X3S.....	149	DG101/20S.....	119	DG108/12S.....	129	DOZ25S.....	109
ASK620X4S.....	149	DG101/25S.....	119	DG108/16S.....	129	DOZ28L.....	109
ASK625X3S.....	149	DG101/30S.....	119	DG108/20S.....	129	DOZ30S.....	109
ASK625X4S.....	149	DG101/38S.....	119	DG108/25S.....	129	DOZ35L.....	109
ASK625X5S.....	149	DG102/06SM.....	121	DG108/30S.....	129	DOZ38S.....	109
ASK630X3S.....	149	DG102/06SR.....	120	DG108/38S.....	129	DOZ42L.....	109
ASK630X4S.....	149	DG102/08SM.....	121	DG208/12SR.....	130	DPR06L71X.....	22
ASK630X5S.....	149	DG102/08SR.....	120	DG208/16SR.....	130	DPR06L71X.....	22
ASK630X6S.....	149	DG102/12SM.....	121	DG208/20SR.....	130	DPR06LSPH71X.....	22
ASK638X4S.....	149	DG102/12SR.....	120	DG208/25SR.....	130	DPR06LSPH71X.....	22
ASK638X5S.....	149	DG102/16SM.....	121	DG208/38SR.....	130	DPR08L71X.....	22
ASK638X6S.....	149	DG102/16SR.....	120	DKA1.....	115	DPR08L71X.....	22
ASK638X7S.....	149	DG102/20SM.....	121	DKA1/2X4.5.....	115	DPR08LSPH71X.....	22
D04LL71X.....	21	DG102/20SR.....	120	DKA1/4.....	115	DPR08LSPH71X.....	22
D04LLMS.....	21	DG102/25SM.....	121	DKA1/8.....	115	DPR10L71X.....	22
D04LLX.....	21	DG102/25SR.....	120	DKA3/4.....	115	DPR10L71X.....	22
D06LL71X.....	21	DG102/30SM.....	121	DKA3/8.....	115	DPR10LSPH71X.....	22
D06LLMS.....	21	DG102/30SR.....	120	DKA08.....	115	DPR10LSPH71X.....	22
D06LLX.....	21	DG102/38SM.....	121	DKA10.....	115	DPR12L71X.....	22
D06LMS.....	21	DG102/38SR.....	120	DKA11/2.....	115	DPR12L71X.....	22
D06LMS.....	21	DG103/06S.....	122	DKA11/2.....	115	DPR12LSPH71X.....	22
D08LL71X.....	21	DG103/08S.....	122	DKA11/4.....	115	DPR12LSPH71X.....	22
D08LLMS.....	21	DG103/12S.....	122	DKA11/4.....	115	DPR14S71X.....	22
D08LLX.....	21	DG103/16S.....	122	DKA12.....	115	DPR14SSPH71X.....	22
D08LMS.....	21	DG103/20S.....	122	DKA14.....	115	DPR15L71X.....	22
D08LMS.....	21	DG103/25S.....	122	DKA16.....	115	DPR15LSPH71X.....	22
D10LL71X.....	21	DG103/30S.....	122	DKA18.....	115	DPR16S71X.....	22
D10LLMS.....	21	DG103/38S.....	122	DKA20.....	115	DPR16SSPH71X.....	22
D10LLX.....	21	DG104/06SM.....	124	DKA22X4.5.....	115	DPR18L71X.....	22
D10LMS.....	21	DG104/06SR.....	123	DKA26X3.5.....	115	DPR18LSPH71X.....	22
D10LMS.....	21	DG104/08SM.....	124	DKA27.....	115	DPR20S71X.....	22
D12LL71X.....	21	DG104/08SR.....	123	DKA33.....	115	DPR20SSPH71X.....	22
D12LLMS.....	21	DG104/12SM.....	124	DKAZ1.....	114	DPR22L71X.....	22
D12LLX.....	21	DG104/12SR.....	123	DKAZ1/2.....	114	DPR22LSPH71X.....	22
D12LMS.....	21	DG104/16SM.....	124	DKAZ1/4.....	114	DPR25S71X.....	22
D12LMS.....	21	DG104/16SR.....	123	DKAZ1/8.....	114	DPR25SSPH71X.....	22
D14SMS.....	21	DG104/20SM.....	124	DKAZ3/4.....	114	DPR28L71X.....	22
D15LMS.....	21	DG104/20SR.....	123	DKAZ3/8.....	114	DPR28LSPH71X.....	22
D16SMS.....	21	DG104/25SM.....	124	DKAZ10.....	114	DPR30S71X.....	22
D18LMS.....	21	DG104/25SR.....	123	DKAZ11/2.....	114	DPR30SSPH71X.....	22

DPR35L71X.....22	DVGE22LR.....131	ED8X1X.....110	EGE35L11/4NPT.....66
DPR35LSPH71X.....22	DVGE25SM.....132	ED10X1X.....110	EGE35LMED.....64
DPR38S71X.....22	DVGE25SR.....131	ED12X1.5X.....110	EGE35LRED.....65
DPR38SSPH71X.....22	DVGE28LM.....132	ED14X1.5X.....110	EGE38S11/2NPT.....66
DPR42L71X.....22	DVGE28LR.....131	ED16X1.5X.....110	EGE38SMED.....64
DPR42LSPH71X.....22	DVGE30SM.....132	ED18X1.5X.....110	EGE38SRED.....65
DSVW06LM.....79	DVGE30SR.....131	ED20X1.5X.....110	EGE42L11/2NPT.....66
DSVW06LR.....80	DVGE35LM.....132	ED22X1.5X.....110	EGE42LMED.....64
DSVW06SM.....79	DVGE35LR.....131	ED26X1.5X.....110	EGE42LRED.....65
DSVW06SR.....80	DVGE38SM.....132	ED26X1.5X.....110	EGEO06LM.....63
DSVW08LM.....79	DVGE38SR.....131	ED33X2X.....110	EGEO06SM.....63
DSVW08LR.....80	DVWE06LM.....134	ED42X2X.....110	EGEO08LM.....63
DSVW08SM.....79	DVWE06LR.....133	ED48X2X.....110	EGEO08SM.....63
DSVW08SR.....80	DVWE06SM.....134	EGEO06L1/8NPT.....66	EGEO10LM.....63
DSVW10LM.....79	DVWE06SR.....133	EGEO06LMED.....64	EGEO10SM.....63
DSVW10LR.....80	DVWE08LM.....134	EGEO06LRED.....65	EGEO12LM.....63
DSVW10SM.....79	DVWE08LR.....133	EGEO06S1/4NPT.....66	EGEO12SM.....63
DSVW10SR.....80	DVWE08SM.....134	EGEO06SMED.....64	EGEO15LM.....63
DSVW12LM.....79	DVWE08SR.....133	EGEO06SRED.....65	EGEO16SM.....63
DSVW12LR.....80	DVWE10LM.....134	EGEO08L1/4NPT.....66	EGEO18LM.....63
DSVW12SM.....79	DVWE10LR.....133	EGEO08LMED.....64	EGEO20SM.....63
DSVW12SR.....80	DVWE10SM.....134	EGEO08LRED.....65	EGEO22LM27X2.....63
DSVW14SM.....79	DVWE10SR.....133	EGEO08S1/4NPT.....66	EGEO25SM.....63
DSVW14SR.....80	DVWE12LM.....134	EGEO08SMED.....64	EGEO28LM.....63
DSVW15LM.....79	DVWE12LR.....133	EGEO08SRED.....65	EGEO30SM.....63
DSVW15LR.....80	DVWE12SM.....134	EGEO10L1/4NPT.....66	EGEO35LM.....63
DSVW16SM.....79	DVWE12SR.....133	EGEO10LMED.....64	EGEO38SM.....63
DSVW16SR.....80	DVWE14SR.....133	EGEO10LR3/8ED.....65	EGEO42LM.....63
DSVW18LM.....79	DVWE15LM.....134	EGEO10LRED.....65	EL06L.....35
DSVW18LR.....80	DVWE15LR.....133	EGEO10S3/8NPT.....66	EL06S.....35
DSVW20SM.....79	DVWE16SM.....134	EGEO10SMED.....64	EL08L.....35
DSVW20SR.....80	DVWE16SR.....133	EGEO10SRED.....65	EL08S.....35
DSVW22LM.....79	DVWE18LM.....134	EGEO12L3/8NPT.....66	EL10L.....35
DSVW22LR.....80	DVWE18LR.....133	EGEO12LM22X1.5ED.....64	EL10S.....35
DSVW25SM.....79	DVWE20SM.....134	EGEO12LMED.....64	EL12L.....35
DSVW25SR.....80	DVWE20SR.....133	EGEO12LR1/2ED.....65	EL12S.....35
DSVW28LM.....79	DVWE22LM.....134	EGEO12LR1/4ED.....65	EL14S.....35
DSVW28LR.....80	DVWE22LR.....133	EGEO12LRED.....65	EL15L.....35
DSVW30SM.....79	DVWE25SM.....134	EGEO12S3/8NPT.....66	EL16S.....35
DSVW30SR.....80	DVWE25SR.....133	EGEO12SMED.....64	EL18L.....35
DSVW35LM.....79	DVWE28LM.....134	EGEO12SR1/2ED.....65	EL20S.....35
DSVW35LR.....80	DVWE28LR.....133	EGEO12SR1/4ED.....65	EL22L.....35
DSVW38SM.....79	DVWE30SM.....134	EGEO12SRED.....65	EL25S.....35
DSVW38SR.....80	DVWE30SR.....133	EGEO14S1/2NPT.....66	EL28L.....35
DSVW42LM.....79	DVWE35LM.....134	EGEO14SMED.....64	EL30S.....35
DSVW42LR.....80	DVWE35LR.....133	EGEO14SRED.....65	EL35L.....35
DVGE06LM.....132	DVWE38SM.....134	EGEO15L1/2NPT.....66	EL38S.....35
DVGE06LR.....131	DVWE38SR.....133	EGEO15LM22X1.5ED.....64	EL42L.....35
DVGE06SM.....132	E04/2.5X.....108	EGEO15LMED.....64	EMA3/1/2.....157
DVGE06SR.....131	E04/02X.....108	EGEO15LRED.....65	EMA3/1/2ED.....157
DVGE08LM.....132	E06/05X.....108	EGEO16S1/2NPT.....66	EMA3/1/4.....157
DVGE08LR.....131	E08/04X.....108	EGEO16SMED.....64	EMA3/1/4ED.....157
DVGE08SM.....132	E08/05X.....108	EGEO16SRED.....65	EMA3/1/8.....157
DVGE08SR.....131	E10/08X.....108	EGEO18L1/2NPT.....66	EMA3/1/8ED.....157
DVGE10LM.....132	E12/08X.....108	EGEO18LMED.....64	EMA3/3/8.....157
DVGE10LR.....131	E12/09X.....108	EGEO18LR3/4ED.....65	EMA3/3/8ED.....157
DVGE10SM.....132	E15/12X.....108	EGEO18LRED.....65	EMA3/8X1OR.....157
DVGE10SR.....131	E18/14X.....108	EGEO20S3/4NPT.....66	EMA3/10X1.....157
DVGE12LM.....132	E22/18X.....108	EGEO20SMED.....64	EMA3/10X1ED.....157
DVGE12LR.....131	E0506/03X.....108	EGEO20SRED.....65	EMA3/10X1OR.....157
DVGE12SM.....132	E0506/03X.....108	EGEO22L3/4NPT.....66	EMA3/12X1.5.....157
DVGE12SR.....131	E0506/04X.....108	EGEO22LMED.....64	EMA3/12X1.5ED.....157
DVGE14SR.....131	E0506/04X.....108	EGEO22LRED.....65	EMA3/14X1.5.....157
DVGE15LM.....132	E0810/06X.....108	EGEO25S1NPT.....66	EMA3/14X1.5ED.....157
DVGE15LR.....131	E0810/06X.....108	EGEO25SMED.....64	EMA3/14X1.5ISO.....157
DVGE16SM.....132	E1215/10X.....108	EGEO25SRED.....65	EMA3/16X1.5.....157
DVGE16SR.....131	E1516/12.5X.....108	EGEO28L1NPT.....66	ESV06L.....150
DVGE18LM.....132	E1516/12.5X.....108	EGEO28LMED.....64	ESV06S.....150
DVGE18LR.....131	E1820/16X.....108	EGEO28LRED.....65	ESV08L.....150
DVGE20SM.....132	E1820/16X.....108	EGEO30S1/4NPT.....66	ESV08S.....150
DVGE20SR.....131	ED1/2X.....110	EGEO30SMED.....64	ESV10L.....150
DVGE22LM.....132	ED3/8X.....110	EGEO30SRED.....65	ESV10S.....150

Alphanumerical index

ESV12L.....	150	EVL42L.....	38	FM06SNBR71.....	17	FM22LNBR71.....	17
ESV12S.....	150	EVT06L.....	37	FM06SSSA.....	17	FM22LSSA.....	17
ESV14S.....	150	EVT06S.....	37	FM06SVIT.....	16	FM22LVIT.....	16
ESV15L.....	150	EVT08L.....	37	FM06SVITSSA.....	17	FM22LVITSSA.....	17
ESV16S.....	150	EVT08S.....	37	FM08L.....	16	FM25S.....	16
ESV18L.....	150	EVT10L.....	37	FM08L71.....	17	FM25S71.....	17
ESV20S.....	150	EVT10S.....	37	FM08LNBR71.....	17	FM25SNBR71.....	17
ESV22L.....	150	EVT12L.....	37	FM08LSSA.....	17	FM25SSSA.....	17
ESV25S.....	150	EVT12S.....	37	FM08LVIT.....	16	FM25SVIT.....	16
ESV28L.....	150	EVT14S.....	37	FM08LVITSSA.....	17	FM25SVITSSA.....	17
ESV30S.....	150	EVT15L.....	37	FM08S.....	16	FM28L.....	16
ESV35L.....	150	EVT16S.....	37	FM08S71.....	17	FM28L71.....	17
ESV38S.....	150	EVT18L.....	37	FM08SNBR71.....	17	FM28LNBR71.....	17
ESV42L.....	150	EVT20S.....	37	FM08SSSA.....	17	FM28LSSA.....	17
ET06L.....	34	EVT22L.....	37	FM08SVIT.....	16	FM28LVIT.....	16
ET06S.....	34	EVT25S.....	37	FM08SVITSSA.....	17	FM28LVITSSA.....	17
ET08L.....	34	EVT28L.....	37	FM10L.....	16	FM30S.....	16
ET08S.....	34	EVT30S.....	37	FM10L71.....	17	FM30S71.....	17
ET10L.....	34	EVT35L.....	37	FM10LNBR71.....	17	FM30SNBR71.....	17
ET10S.....	34	EVT38S.....	37	FM10LSSA.....	17	FM30SSSA.....	17
ET12L.....	34	EVT42L.....	37	FM10LVIT.....	16	FM30SVIT.....	16
ET12S.....	34	EVW06L.....	36	FM10LVITSSA.....	17	FM30SVITSSA.....	17
ET14S.....	34	EVW06S.....	36	FM10S.....	16	FM35L.....	16
ET15L.....	34	EVW08L.....	36	FM10S71.....	17	FM35L71.....	17
ET16S.....	34	EVW08S.....	36	FM10SNBR71.....	17	FM35LNBR71.....	17
ET18L.....	34	EVW10L.....	36	FM10SSSA.....	17	FM35LSSA.....	17
ET20S.....	34	EVW10S.....	36	FM10SVIT.....	16	FM35LVIT.....	16
ET22L.....	34	EVW12L.....	36	FM10SVITSSA.....	17	FM35LVITSSA.....	17
ET25S.....	34	EVW12S.....	36	FM12L.....	16	FM38S.....	16
ET28L.....	34	EVW14S.....	36	FM12L71.....	17	FM38S71.....	17
ET30S.....	34	EVW15L.....	36	FM12LNBR71.....	17	FM38SNBR71.....	17
ET35L.....	34	EVW16S.....	36	FM12LSSA.....	17	FM38SSSA.....	17
ET38S.....	34	EVW18L.....	36	FM12LVIT.....	16	FM38SVIT.....	16
ET42L.....	34	EVW20S.....	36	FM12LVITSSA.....	17	FM38SVITSSA.....	17
EV06L.....	33	EVW22L.....	36	FM12S.....	16	FM42L.....	16
EV06S.....	33	EVW25S.....	36	FM12S71.....	17	FM42L71.....	17
EV08L.....	33	EVW28L.....	36	FM12SNBR71.....	17	FM42LNBR71.....	17
EV08S.....	33	EVW30S.....	36	FM12SSSA.....	17	FM42LSSA.....	17
EV10L.....	33	EVW35L.....	36	FM12SVIT.....	16	FM42LVIT.....	16
EV10S.....	33	EVW38S.....	36	FM12SVITSSA.....	17	FM42LVITSSA.....	17
EV12L.....	33	EVW42L.....	36	FM14S.....	16	FORM06L.....	18
EV12S.....	33	EW06L.....	32	FM14S71.....	17	FORM06L.....	19
EV15L.....	33	EW06S.....	32	FM14SNBR71.....	17	FORM06L71.....	19
EV16S.....	33	EW08L.....	32	FM14SSSA.....	17	FORM06LNBR71.....	19
EV18L.....	33	EW08S.....	32	FM14SVIT.....	16	FORM06LVIT.....	18
EV20S.....	33	EW10L.....	32	FM14SVITSSA.....	17	FORM06LVIT.....	19
EV22L.....	33	EW10S.....	32	FM15L.....	16	FORM06S.....	18
EV25S.....	33	EW12L.....	32	FM15L71.....	17	FORM06S.....	19
EV28L.....	33	EW12S.....	32	FM15LNBR71.....	17	FORM06S71.....	19
EV30S.....	33	EW14S.....	32	FM15LSSA.....	17	FORM06SNBR71.....	19
EV35L.....	33	EW15L.....	32	FM15LVIT.....	16	FORM06SVIT.....	18
EV38S.....	33	EW16S.....	32	FM15LVITSSA.....	17	FORM06SVIT.....	19
EV42L.....	33	EW18L.....	32	FM16S.....	16	FORM08L.....	18
EVL06L.....	38	EW20S.....	32	FM16S71.....	17	FORM08L.....	19
EVL06S.....	38	EW22L.....	32	FM16SNBR71.....	17	FORM08L71.....	19
EVL08L.....	38	EW25S.....	32	FM16SSSA.....	17	FORM08LNBR71.....	19
EVL08S.....	38	EW28L.....	32	FM16SVIT.....	16	FORM08LVIT.....	18
EVL10L.....	38	EW30S.....	32	FM16SVITSSA.....	17	FORM08LVIT.....	19
EVL10S.....	38	EW35L.....	32	FM18L.....	16	FORM08S.....	18
EVL12L.....	38	EW38S.....	32	FM18L71.....	17	FORM08S.....	19
EVL12S.....	38	EW42L.....	32	FM18LNBR71.....	17	FORM08S71.....	19
EVL14S.....	38	FM04LL.....	16	FM18LSSA.....	17	FORM08SNBR71.....	19
EVL15L.....	38	FM04LLSSA.....	17	FM18LVIT.....	16	FORM08SVIT.....	18
EVL16S.....	38	FM06L.....	16	FM18LVITSSA.....	17	FORM08SVIT.....	19
EVL18L.....	38	FM06L71.....	17	FM20S.....	16	FORM10L.....	18
EVL20S.....	38	FM06LLSSA.....	17	FM20S71.....	17	FORM10L.....	19
EVL22L.....	38	FM06LNBR71.....	17	FM20SNBR71.....	17	FORM10L71.....	19
EVL25S.....	38	FM06LSSA.....	17	FM20SSSA.....	17	FORM10LNBR71.....	19
EVL28L.....	38	FM06LVIT.....	16	FM20SVIT.....	16	FORM10LVIT.....	18
EVL30S.....	38	FM06LVITSSA.....	17	FM20SVITSSA.....	17	FORM10LVIT.....	19
EVL35L.....	38	FM06S.....	16	FM22L.....	16	FORM10S.....	18
EVL38S.....	38	FM06S71.....	17	FM22L71.....	17	FORM10S.....	19

FORM10S71.....	19	FORM35L71.....	19	GAI12S1/4NPT.....	96	GE06S3/8NPT.....	62
FORM10SNBR71.....	19	FORM35LNBR71.....	19	GAI12S3/8NPT.....	96	GE06SM.....	58
FORM10SVIT.....	18	FORM35LVIT.....	18	GAI12SM.....	94	GE06SM14X1.5.....	58
FORM10SVIT.....	19	FORM35LVIT.....	19	GAI12SR.....	95	GE06SMED.....	52
FORM12L.....	18	FORM38S.....	18	GAI12SR1/2.....	95	GE06SR.....	56
FORM12L.....	19	FORM38S.....	19	GAI14S1/2NPT.....	96	GE06SR1/2.....	56
FORM12L71.....	19	FORM38S71.....	19	GAI14SM.....	94	GE06SR1/2ED.....	54
FORM12LNBR71.....	19	FORM38SNBR71.....	19	GAI14SR.....	95	GE06SR1/8.....	56
FORM12LVIT.....	18	FORM38SVIT.....	18	GAI15L1/2NPT.....	96	GE06SR1/8ED.....	54
FORM12LVIT.....	19	FORM38SVIT.....	19	GAI15LM.....	94	GE06SR3/8.....	56
FORM12S.....	18	FORM42L.....	18	GAI15LR.....	95	GE06SR3/8ED.....	54
FORM12S.....	19	FORM42L.....	19	GAI16S1/2NPT.....	96	GE06SRED.....	54
FORM12S71.....	19	FORM42L71.....	19	GAI16SM.....	94	GE08L1/2NPT.....	61
FORM12SNBR71.....	19	FORM42LNBR71.....	19	GAI16SR.....	95	GE08L1/4NPT.....	61
FORM12SVIT.....	18	FORM42LVIT.....	18	GAI18L1/2NPT.....	96	GE08L1/8NPT.....	61
FORM12SVIT.....	19	FORM42LVIT.....	19	GAI18LM.....	94	GE08L3/8NPT.....	61
FORM14S.....	18	G04LL.....	23	GAI18LR.....	95	GE08L7/16UNF.....	60
FORM14S.....	19	G06L.....	23	GAI18LR3/8.....	95	GE08LL1/8NPT.....	61
FORM14S71.....	19	G06LL.....	23	GAI20S1/2NPT.....	96	GE08LLM.....	59
FORM14SNBR71.....	19	G06S.....	23	GAI20S3/4NPT.....	96	GE08LLR.....	57
FORM14SVIT.....	18	G08L.....	23	GAI20SM.....	94	GE08LLR1/4.....	57
FORM14SVIT.....	19	G08LL.....	23	GAI20SR.....	95	GE08LM.....	58
FORM15L.....	18	G08S.....	23	GAI22L3/4NPT.....	96	GE08LMED.....	52
FORM15L.....	19	G10L.....	23	GAI22LM.....	94	GE08LR.....	55
FORM15L71.....	19	G10LL.....	23	GAI22LR.....	95	GE08LR1/2.....	55
FORM15LNBR71.....	19	G10S.....	23	GAI25S1NPT.....	96	GE08LR1/2ED.....	53
FORM15LVIT.....	18	G12L.....	23	GAI25SM.....	94	GE08LR1/4KEG.....	57
FORM15LVIT.....	19	G12LL.....	23	GAI25SR.....	95	GE08LR1/8.....	55
FORM16S.....	18	G12S.....	23	GAI28L1NPT.....	96	GE08LR1/8ED.....	53
FORM16S.....	19	G14S.....	23	GAI28LM.....	94	GE08LR1/8KEG.....	57
FORM16S71.....	19	G15L.....	23	GAI28LR.....	95	GE08LR3/8.....	55
FORM16SNBR71.....	19	G16S.....	23	GAI30S11/4NPT.....	96	GE08LR3/8ED.....	53
FORM16SVIT.....	18	G18L.....	23	GAI30SM.....	94	GE08LRED.....	53
FORM16SVIT.....	19	G20S.....	23	GAI30SR.....	95	GE08S1/2NPT.....	62
FORM18L.....	18	G22L.....	23	GAI35L11/4NPT.....	96	GE08S1/4NPT.....	62
FORM18L.....	19	G25S.....	23	GAI35LM.....	94	GE08S3/8NPT.....	62
FORM18L71.....	19	G28L.....	23	GAI35LR.....	95	GE08S7/16UNF.....	60
FORM18LNBR71.....	19	G30S.....	23	GAI38S11/2NPT.....	96	GE08SM.....	58
FORM18LVIT.....	18	G35L.....	23	GAI38SM.....	94	GE08SMED.....	52
FORM18LVIT.....	19	G38S.....	23	GAI38SR.....	95	GE08SR.....	56
FORM20S.....	18	G42L.....	23	GAI42L11/2NPT.....	96	GE08SR1/2.....	56
FORM20S.....	19	GAI06L1/4NPT.....	96	GAI42LM.....	94	GE08SR1/2ED.....	54
FORM20S71.....	19	GAI06L1/8NPT.....	96	GAI42LR.....	95	GE08SR3/8.....	56
FORM20SNBR71.....	19	GAI06LM.....	94	GE04L1/8NPT.....	61	GE08SR3/8ED.....	54
FORM20SVIT.....	18	GAI06LR.....	95	GE04LLM.....	59	GE08SRED.....	54
FORM20SVIT.....	19	GAI06LR1/4.....	95	GE04LLM6X1KEG.....	59	GE10L1/2NPT.....	61
FORM22L.....	18	GAI06S1/4NPT.....	96	GE04LLR.....	57	GE10L1/4NPT.....	61
FORM22L.....	19	GAI06S1/8NPT.....	96	GE04LLRED.....	53	GE10L1/8NPT.....	61
FORM22L71.....	19	GAI06SM.....	94	GE06L1/2NPT.....	61	GE10L3/4NPT.....	61
FORM22LNBR71.....	19	GAI06SR.....	95	GE06L1/4NPT.....	61	GE10L3/8NPT.....	61
FORM22LVIT.....	18	GAI08L1/4NPT.....	96	GE06L1/8NPT.....	61	GE10L7/16UNF.....	60
FORM22LVIT.....	19	GAI08LM.....	94	GE06L3/8NPT.....	61	GE10LLR.....	57
FORM25S.....	18	GAI08LR.....	95	GE06L1/8NPT.....	61	GE10LM.....	58
FORM25S.....	19	GAI08LR1/2.....	95	GE06LLM.....	59	GE10LM10X1.....	58
FORM25S71.....	19	GAI08LR3/8.....	95	GE06LLM8X1KEG.....	59	GE10LM12X1.5.....	58
FORM25SNBR71.....	19	GAI08S1/4NPT.....	96	GE06LLR.....	57	GE10LM12X1.5ED.....	52
FORM25SVIT.....	18	GAI08SM.....	94	GE06LLRED.....	53	GE10LM16X1.5.....	58
FORM25SVIT.....	19	GAI08SR.....	95	GE06LM.....	58	GE10LM16X1.5ED.....	52
FORM28L.....	18	GAI10L1/4NPT.....	96	GE06LMED.....	52	GE10LM18X1.5.....	58
FORM28L.....	19	GAI10LM.....	94	GE06LR.....	55	GE10LM18X1.5ED.....	52
FORM28L71.....	19	GAI10LR.....	95	GE06LR1/2.....	55	GE10LM22X1.5.....	58
FORM28LNBR71.....	19	GAI10LR1/2.....	95	GE06LR1/2ED.....	53	GE10LM22X1.5ED.....	52
FORM28LVIT.....	18	GAI10LR3/8.....	95	GE06LR1/4.....	55	GE10LMED.....	52
FORM28LVIT.....	19	GAI10S3/8NPT.....	96	GE06LR1/4ED.....	53	GE10LR.....	55
FORM30S.....	18	GAI10SM.....	94	GE06LR1/4KEG.....	57	GE10LR1/2.....	55
FORM30S.....	19	GAI10SR.....	95	GE06LR1/8KEG.....	57	GE10LR1/2ED.....	53
FORM30S71.....	19	GAI12L1/2NPT.....	96	GE06LR3/8.....	55	GE10LR1/4KEG.....	57
FORM30SNBR71.....	19	GAI12L3/8NPT.....	96	GE06LR3/8ED.....	53	GE10LR1/8.....	55
FORM30SVIT.....	18	GAI12LM.....	94	GE06LRED.....	53	GE10LR1/8ED.....	53
FORM30SVIT.....	19	GAI12LR.....	95	GE06S1/2NPT.....	62	GE10LR3/8.....	55
FORM35L.....	18	GAI12LR1/2.....	95	GE06S1/4NPT.....	62	GE10LR3/8ED.....	53
FORM35L.....	19	GAI12S1/2NPT.....	96	GE06S1/8NPT.....	62	GE10LRED.....	53

Alphanumerical index

GE10S1/2NPT.....62	GE15L1/2NPT.....61	GE22L3/8NPT.....61	GE35LR11/4KEG.....57
GE10S1/4NPT.....62	GE15L1NPT.....61	GE22L7/8UNF.....60	GE35LRED.....53
GE10S3/4NPT.....62	GE15L3/4NPT.....61	GE22L11/16UN.....60	GE38S1NPT.....62
GE10S3/8NPT.....62	GE15L3/4UNF.....60	GE22L15/16UN.....60	GE38S11/2NPT.....62
GE10S9/16UNF.....60	GE15L3/8NPT.....61	GE22LM.....58	GE38S11/4NPT.....62
GE10SM.....58	GE15L7/8UNF.....60	GE22LM2X1.5.....58	GE38S15/8UN.....60
GE10SMED.....52	GE15LM.....58	GE22LM2X1.5ED.....52	GE38SM.....58
GE10SR.....56	GE15LM16X1.5.....58	GE22LMED.....52	GE38SMED.....52
GE10SR1/2.....56	GE15LM16X1.5ED.....52	GE22LR.....55	GE38SR.....56
GE10SR1/2ED.....54	GE15LM22X1.5.....58	GE22LR1.....55	GE38SR11/4.....56
GE10SR1/4.....56	GE15LM22X1.5ED.....52	GE22LR1/2.....55	GE38SR11/4ED.....54
GE10SR1/4ED.....54	GE15LMED.....52	GE22LR1/2ED.....53	GE38SRED.....54
GE10SRED.....54	GE15LR.....55	GE22LR1ED.....53	GE42L11/2NPT.....61
GE12L1/2NPT.....61	GE15LR1/2KEG.....57	GE22LR3/4KEG.....57	GE42L11/4NPT.....61
GE12L1/4NPT.....61	GE15LR3/4.....55	GE22LRED.....53	GE42L15/8UN.....60
GE12L1/8NPT.....61	GE15LR3/4ED.....55	GE25S1NPT.....62	GE42LM.....58
GE12L3/4UNF.....60	GE15LR3/8.....53	GE25S3/4NPT.....62	GE42LMED.....52
GE12L3/8NPT.....61	GE15LR3/8ED.....53	GE25S11/2NPT.....62	GE42LR.....55
GE12L7/8UNF.....60	GE15LR3/8KEG.....57	GE25S11/4NPT.....62	GE42LR1.....55
GE12L9/16UNF.....60	GE15LRED.....53	GE25S11/16UN.....60	GE42LR1ED.....53
GE12LLR.....57	GE16S1/2NPT.....62	GE25S15/16UN.....60	GE42LR11/2KEG.....57
GE12LLR3/8.....57	GE16S1NPT.....62	GE25SM.....58	GE42LR11/4.....55
GE12LM.....58	GE16S3/4NPT.....62	GE25SMED.....52	GE42LR11/4ED.....53
GE12LM14X1.5.....58	GE16S3/4UNF.....60	GE25SR.....56	GE42LRED.....53
GE12LM14X1.5ED.....52	GE16S3/8NPT.....62	GE25SR1/2ED.....54	GEO04LLM.....51
GE12LM18X1.5.....58	GE16S7/8UNF.....60	GE25SR3/4.....56	GEO04LLM10X1.....51
GE12LM18X1.5ED.....52	GE16SM.....58	GE25SR3/4ED.....54	GEO06LLM.....51
GE12LM22X1.5.....58	GE16SM18X1.5.....58	GE25SR11/2ED.....54	GEO06LM.....51
GE12LM22X1.5ED.....52	GE16SM18X1.5ED.....52	GE25SR11/4.....56	GEO06SM.....51
GE12LMED.....52	GE16SMED.....52	GE25SR11/4ED.....54	GEO08LM.....51
GE12LR.....55	GE16SR.....56	GE25SRED.....54	GEO08SM.....51
GE12LR1/2.....55	GE16SR3/4.....56	GE28L1NPT.....61	GEO10LM.....51
GE12LR1/2ED.....53	GE16SR3/4ED.....54	GE28L3/4NPT.....61	GEO10SM.....51
GE12LR1/2KEG.....57	GE16SR3/8.....56	GE28L11/4NPT.....61	GEO12LM.....51
GE12LR1/4.....55	GE16SR3/8ED.....54	GE28L11/16UN.....60	GEO12SM.....51
GE12LR1/4ED.....53	GE16SRED.....54	GE28L15/16UN.....60	GEO15LM.....51
GE12LR1/4KEG.....57	GE18L1/2NPT.....61	GE28LM.....58	GEO16SM.....51
GE12LR1/8.....55	GE18L1NPT.....61	GE28LMED.....52	GEO18LM.....51
GE12LR1/8ED.....53	GE18L3/4NPT.....61	GE28LR.....55	GEO20SM.....51
GE12LR3/4.....55	GE18L3/4UNF.....60	GE28LR1/2.....55	GEO22LM27X2.....51
GE12LR3/4ED.....53	GE18L3/8NPT.....61	GE28LR1KEG.....57	GEO25SM.....51
GE12LR3/8KEG.....57	GE18L7/8UNF.....60	GE28LR3/4.....55	GEO28LM.....51
GE12LRED.....53	GE18LM.....58	GE28LR3/4ED.....53	GEO30SM.....51
GE12S1/2NPT.....62	GE18LM18X1.5.....58	GE28LR11/4.....55	GEO35LM.....51
GE12S1/4NPT.....62	GE18LM18X1.5ED.....52	GE28LR11/4ED.....53	GEO38SM.....51
GE12S3/4NPT.....62	GE18LMED.....52	GE28LRED.....53	GEO42LM.....51
GE12S3/4UNF.....60	GE18LR.....55	GE30S1NPT.....62	GM06L.....106
GE12S3/8NPT.....62	GE18LR1/2KEG.....57	GE30S3/4NPT.....62	GM08L.....106
GE12S9/16UNF.....60	GE18LR3/4.....55	GE30S11/2NPT.....62	GM08L.....106
GE12SM.....58	GE18LR3/4ED.....53	GE30S11/4NPT.....62	GM10L.....106
GE12SM14X1.5.....58	GE18LR3/8.....55	GE30S15/8UN.....60	GM12L.....106
GE12SM14X1.5ED.....52	GE18LR3/8ED.....53	GE30S15/16UN.....60	GM12L.....106
GE12SM22X1.5.....58	GE18LRED.....53	GE30SM.....58	GM12S.....106
GE12SM22X1.5ED.....52	GE20S1/2NPT.....62	GE30SMED.....52	GM15L.....106
GE12SMED.....52	GE20S1NPT.....62	GE30SR.....56	GM15L.....106
GE12SR.....56	GE20S3/4NPT.....62	GE30SR1.....56	GM16S.....106
GE12SR1/2.....56	GE20S3/4UNF.....60	GE30SR1ED.....54	GM18L.....106
GE12SR1/2ED.....54	GE20S7/8UNF.....60	GE30SR11/2ED.....54	GM22L.....106
GE12SR1/4.....56	GE20S11/16UN.....60	GE30SR1ED.....54	GM22L.....106
GE12SR1/4ED.....54	GE20SM.....58	GE30SRED.....54	GM28L.....106
GE12SRED.....54	GE20SMED.....52	GE35L1NPT.....61	GM28L.....106
GE14S1/2NPT.....62	GE20SR.....56	GE35L11/4NPT.....61	GM28L.....106
GE14S1NPT.....62	GE20SR1.....56	GE35L15/8UN.....60	GM30S.....106
GE14S3/4NPT.....62	GE20SR1/2.....56	GE35L15/16UN.....60	GM35L.....106
GE14S3/8NPT.....62	GE20SR1/2ED.....54	GE35LM.....58	GM35L.....106
GE14SM.....58	GE20SR1ED.....54	GE35LMED.....52	GM42L.....106
GE14SMED.....52	GE20SR11/4.....56	GE35LR.....55	GM42L.....106
GE14SR.....56	GE20SR11/4ED.....54	GE35LR1.....55	GMA3/06L.....158
GE14SR3/4ED.....54	GE20SR11/4ED.....54	GE35LR1/2.....55	GMA3/06S.....158
GE14SR3/8.....56	GE20SRED.....54	GE35LR1ED.....53	GMA3/08L.....158
GE14SR3/8ED.....54	GE22L1/2NPT.....61	GE35LR3/4.....55	GMA3/08S.....158
GE14SRED.....54	GE22L1NPT.....61	GE35LR11/2.....55	GMA3/10L.....158
	GE22L3/4NPT.....61	GE35LR11/2ED.....53	GMA3/10S.....158

GMA3/12L.....	158	GZ35L.....	48	K16S.....	29	KOR20/12S.....	46
GMA3/12S.....	158	GZ38S.....	48	K18L.....	29	KOR20/14S.....	46
GMA3/14S.....	158	GZ42L.....	48	K20S.....	29	KOR20/16S.....	46
GMA3/15L.....	158	GZR06L/06S.....	49	K22L.....	29	KOR22/06L.....	44
GMA3/16S.....	158	GZR08/06L.....	49	K25S.....	29	KOR22/08L.....	44
GMA3/18L.....	158	GZR08/06S.....	49	K28L.....	29	KOR22/10L.....	44
GMA3/20S.....	158	GZR08L/08S.....	49	K30S.....	29	KOR22/12L.....	44
GMA3/22L.....	158	GZR10/06L.....	49	K35L.....	29	KOR22/15L.....	44
GMA3/25S.....	158	GZR10/06S.....	49	K38S.....	29	KOR22/18L.....	44
GMA3/28L.....	158	GZR10/08L.....	49	K42L.....	29	KOR25/06S.....	46
GMA3/30S.....	158	GZR10/08S.....	49	KD10-1/8SS.....	113	KOR25/08S.....	46
GMA3/35L.....	158	GZR10L/10S.....	49	KD12SS.....	113	KOR25/10S.....	46
GMA3/38S.....	158	GZR12/06L.....	49	KD14-1/4SS.....	113	KOR25/12S.....	46
GMA3/42L.....	158	GZR12/06S.....	49	KD16-3/8SS.....	113	KOR25/14S.....	46
GR06/04LL.....	24	GZR12/08L.....	49	KD18SS.....	113	KOR25/16S.....	46
GR08/04LL.....	24	GZR12/08S.....	49	KD22-1/2SS.....	113	KOR25/20S.....	46
GR08/06L.....	24	GZR12/10L.....	49	KD26SS.....	113	KOR28/06L.....	44
GR08/06LL.....	24	GZR12/10S.....	49	KD27-3/4SS.....	113	KOR28/08L.....	44
GR08/06S.....	24	GZR12L/12S.....	49	KD33-1SS.....	113	KOR28/10L.....	44
GR10/06L.....	24	GZR15/08L.....	49	KD42-11/4SS.....	113	KOR28/12L.....	44
GR10/06S.....	24	GZR15/10L.....	49	KD48-11/2SS.....	113	KOR28/15L.....	44
GR10/08L.....	24	GZR15/12L.....	49	KDS10X.....	112	KOR28/18L.....	44
GR10/08S.....	24	GZR16/10S.....	49	KDS12X.....	112	KOR28/22L.....	44
GR12/06L.....	24	GZR16/12S.....	49	KDS14X.....	112	KOR30/06S.....	46
GR12/06S.....	24	GZR16S/15L.....	49	KDS16X.....	112	KOR30/08S.....	46
GR12/08L.....	24	GZR18/10L.....	49	KDS18X.....	112	KOR30/10S.....	46
GR12/08S.....	24	GZR18/12L.....	49	KDS22X.....	112	KOR30/12S.....	46
GR12/10L.....	24	GZR18/15L.....	49	KDS26X.....	112	KOR30/14S.....	46
GR12/10S.....	24	GZR18L/16S.....	49	KDS27X.....	112	KOR30/16S.....	46
GR14/10S.....	24	GZR20/12S.....	49	KDS33X.....	112	KOR30/20S.....	46
GR14/12S.....	24	GZR20/16S.....	49	KDS42X.....	112	KOR30/25S.....	46
GR15/10L.....	24	GZR20S/18L.....	50	KDS48X.....	112	KOR35/06L.....	44
GR15/12L.....	24	GZR22/12L.....	49	KOR06/04LL.....	44	KOR35/08L.....	44
GR16/10S.....	24	GZR22/15L.....	49	KOR06L/04LL.....	44	KOR35/10L.....	44
GR16/12S.....	24	GZR22/18L.....	49	KOR08/04LL.....	44	KOR35/12L.....	44
GR16/14S.....	24	GZR22L/20S.....	49	KOR08/06L.....	44	KOR35/15L.....	44
GR18/10L.....	24	GZR25/16S.....	50	KOR08/06LL.....	44	KOR35/18L.....	44
GR18/12L.....	24	GZR25/20S.....	50	KOR08/06S.....	46	KOR35/22L.....	44
GR18/15L.....	24	GZR25S/22L.....	50	KOR08L/04LL.....	44	KOR35/28L.....	44
GR20/10S.....	24	GZR28/15L.....	49	KOR10/06L.....	44	KOR38/06S.....	46
GR20/12S.....	24	GZR28/18L.....	49	KOR10/06S.....	46	KOR38/08S.....	46
GR20/16S.....	24	GZR28/22L.....	49	KOR10/08L.....	44	KOR38/10S.....	46
GR22/12L.....	24	GZR28L/25S.....	49	KOR10/08S.....	46	KOR38/12S.....	46
GR22/15L.....	24	GZR30/16S.....	50	KOR10L/04LL.....	44	KOR38/14S.....	47
GR22/18L.....	24	GZR30/20S.....	50	KOR12/06L.....	44	KOR38/16S.....	47
GR25/16S.....	24	GZR30/25S.....	50	KOR12/06S.....	46	KOR38/20S.....	47
GR25/20S.....	24	GZR30S/28L.....	50	KOR12/08L.....	44	KOR38/25S.....	47
GR28/18L.....	24	GZR35/18L.....	49	KOR12/08S.....	46	KOR38/30S.....	47
GR28/22L.....	24	GZR35/22L.....	49	KOR12/10L.....	44	KOR42/10L.....	44
GR30/20S.....	24	GZR35/28L.....	49	KOR12/10S.....	46	KOR42/12L.....	45
GR30/25S.....	24	GZR35L/30S.....	49	KOR12L/04LL.....	44	KOR42/15L.....	45
GR35/22L.....	24	GZR38/20S.....	50	KOR14/06S.....	46	KOR42/18L.....	45
GR35/28L.....	24	GZR38/25S.....	50	KOR14/08S.....	46	KOR42/22L.....	45
GR38/30S.....	24	GZR38/30S.....	50	KOR14/10S.....	46	KOR42/28L.....	45
GR42/35L.....	24	GZR38S/35L.....	50	KOR14/12S.....	46	KOR42/35L.....	45
GZ06L.....	48	GZR42/22L.....	49	KOR15/06L.....	44	LE04LLM.....	93
GZ06S.....	48	GZR42/28L.....	49	KOR15/08L.....	44	LE04LLR.....	92
GZ08L.....	48	GZR42/35L.....	49	KOR15/10L.....	44	LE06LLM.....	93
GZ08S.....	48	GZR42L/38S.....	49	KOR15/12L.....	44	LE06LLR.....	92
GZ10L.....	48	K04LL.....	29	KOR16/06S.....	46	LE06LM.....	93
GZ10S.....	48	K06L.....	29	KOR16/08S.....	46	LE06LR.....	92
GZ12L.....	48	K06LL.....	29	KOR16/10S.....	46	LE06SM.....	93
GZ12S.....	48	K06S.....	29	KOR16/12S.....	46	LE06SR.....	92
GZ14S.....	48	K08L.....	29	KOR16/14S.....	46	LE08LLM.....	93
GZ15L.....	48	K08LL.....	29	KOR18/06L.....	44	LE08LLR.....	92
GZ16S.....	48	K08S.....	29	KOR18/08L.....	44	LE08LM.....	93
GZ18L.....	48	K10L.....	29	KOR18/10L.....	44	LE08LR.....	92
GZ20S.....	48	K10S.....	29	KOR18/12L.....	44	LE08SM.....	93
GZ22L.....	48	K12L.....	29	KOR18/15L.....	44	LE08SR.....	92
GZ25S.....	48	K12S.....	29	KOR20/06S.....	46	LE10LM.....	93
GZ28L.....	48	K14S.....	29	KOR20/08S.....	46	LE10LR.....	92
GZ30S.....	48	K15L.....	29	KOR20/10S.....	46	LE10SM.....	93

Alphanumerical index

LE10SR.....	92	MAVE10SR.....	100	RED16/14S.....	42	RED38S/35L.....	43
LE12LM.....	93	MAVE10SR1/4.....	100	RED16S/15L.....	42	RED42/10L.....	41
LE12LR.....	92	MAVE12LR.....	100	RED18/06L.....	40	RED42/12L.....	41
LE12SM.....	93	MAVE12SR.....	100	RED18/08L.....	40	RED42/15L.....	41
LE12SR.....	92	MAVE12SR1/4.....	100	RED18/10L.....	40	RED42/18L.....	41
LE14SM.....	93	MAVMD1/2MA3.....	160	RED18/12L.....	40	RED42/22L.....	41
LE14SR.....	92	MAVMD1/4MA3.....	160	RED18/15L.....	40	RED42/28L.....	41
LE15LM.....	93	OR4.5X1.5X.....	111	RED18L/16S.....	40	RED42/35L.....	41
LE15LR.....	92	OR4.5X1.5X.....	111	RED20/06S.....	42	RED42L/30S.....	41
LE16SM.....	93	OR6.5X1.5X.....	111	RED20/08S.....	42	RED42L/38S.....	41
LE16SR.....	92	OR6.5X1.5X.....	111	RED20/10S.....	42	RHD06L.....	140
LE18LM.....	93	OR8.5X1.5X.....	111	RED20/12S.....	42	RHD06S.....	140
LE18LR.....	92	OR8.5X1.5X.....	111	RED20/14S.....	42	RHD08L.....	140
LE20SM.....	90	OR10.5X1.5X.....	111	RED20/16S.....	42	RHD08S.....	140
LE20SR.....	91	OR10.5X1.5X.....	111	RED20S/15L.....	42	RHD10L.....	140
LE22LM.....	90	OR12.5X2X.....	111	RED20S/18L.....	42	RHD10S.....	140
LE22LR.....	91	OR12X2X.....	111	RED22/06L.....	40	RHD12L.....	140
LE25SM.....	90	OR14X2X.....	111	RED22/08L.....	40	RHD12S.....	140
LE25SR.....	91	OR16X2X.....	111	RED22/10L.....	40	RHD14S.....	140
LE28LM.....	90	OR17X2.5X.....	111	RED22/12L.....	40	RHD15L.....	140
LE28LR.....	91	OR20X2X.....	111	RED22/15L.....	40	RHD16S.....	140
LE30SM.....	90	OR22X2.5X.....	111	RED22/18L.....	40	RHD18L.....	140
LE30SR.....	91	OR26X2X.....	111	RED22L/16S.....	40	RHD20S.....	140
LE35LM.....	90	OR27X2.5X.....	111	RED22L/20S.....	40	RHD22L.....	140
LE35LR.....	91	OR32X2.5X.....	111	RED25/06S.....	42	RHD25S.....	140
LE38SM.....	90	OR35X2.5X.....	111	RED25/08S.....	42	RHD28L.....	140
LE38SR.....	91	OR39X2.5X.....	111	RED25/10S.....	42	RHD30S.....	140
LE42LM.....	90	PSR06LX.....	21	RED25/12S.....	42	RHD35L.....	140
LE42LR.....	91	PSR06LX.....	21	RED25/14S.....	42	RHD38S.....	140
M04LL.....	20	PSR08LX.....	21	RED25/16S.....	42	RHD42L.....	140
M06L.....	20	PSR08LX.....	21	RED25/20S.....	42	RHD1.....	145
M06LL.....	20	PSR10LX.....	21	RED25S/18L.....	42	RHD1/2.....	145
M06S.....	20	PSR10LX.....	21	RED25S/22L.....	42	RHD1/4.....	145
M08L.....	20	PSR12LX.....	21	RED28/06L.....	40	RHD1/8.....	145
M08LL.....	20	PSR12LX.....	21	RED28/08L.....	40	RHD13/4.....	145
M08S.....	20	PSR14SX.....	21	RED28/10L.....	40	RHD13/8.....	145
M10L.....	20	PSR15LX.....	21	RED28/12L.....	40	RHD111/2.....	145
M10LL.....	20	PSR16SX.....	21	RED28/15L.....	40	RHD111/4.....	145
M10S.....	20	PSR18LX.....	21	RED28/18L.....	40	RHV06LMED.....	143
M12L.....	20	PSR20SX.....	21	RED28/22L.....	40	RHV06LRED.....	141
M12LL.....	20	PSR22LX.....	21	RED28L/16S.....	40	RHV06SMED.....	143
M12S.....	20	PSR25SX.....	21	RED28L/25S.....	40	RHV06SRED.....	141
M14S.....	20	PSR28LX.....	21	RED30/06S.....	42	RHV08LMED.....	143
M15L.....	20	PSR30SX.....	21	RED30/08S.....	42	RHV08LRED.....	141
M16S.....	20	PSR35LX.....	21	RED30/10S.....	42	RHV08SMED.....	143
M18L.....	20	PSR38SX.....	21	RED30/12S.....	42	RHV08SRED.....	141
M20S.....	20	PSR42LX.....	21	RED30/14S.....	42	RHV10LMED.....	143
M22L.....	20	RED06L/04LL.....	40	RED30/16S.....	42	RHV10LRED.....	141
M25S.....	20	RED08/06L.....	40	RED30/20S.....	42	RHV10SMED.....	143
M28L.....	20	RED08/06S.....	42	RED30/25S.....	43	RHV10SRED.....	141
M30S.....	20	RED10/06L.....	40	RED30S/22L.....	42	RHV12LMED.....	143
M35L.....	20	RED10/06S.....	42	RED30S/28L.....	43	RHV12LRED.....	141
M38S.....	20	RED10/08L.....	40	RED35/06L.....	40	RHV12SMED.....	143
M42L.....	20	RED10/08S.....	42	RED35/08L.....	40	RHV12SRED.....	141
MAV1/2MA3.....	160	RED12/06L.....	40	RED35/10L.....	40	RHV14SMED.....	143
MAV1/4MA3.....	160	RED12/06S.....	42	RED35/12L.....	40	RHV14SRED.....	141
MAV04LLR.....	99	RED12/08L.....	40	RED35/15L.....	40	RHV15LMED.....	143
MAV06LR.....	99	RED12/08S.....	42	RED35/18L.....	40	RHV15LRED.....	141
MAV06SR.....	99	RED12/10L.....	40	RED35/22L.....	40	RHV16SMED.....	143
MAV08LR.....	99	RED12/10S.....	42	RED35/28L.....	41	RHV16SRED.....	141
MAV08SR.....	99	RED14/06S.....	42	RED35L/25S.....	40	RHV18LMED.....	143
MAV10LR.....	99	RED14/08S.....	42	RED35L/30S.....	41	RHV18LRED.....	141
MAV10SR.....	99	RED14/10S.....	42	RED38/06S.....	43	RHV20SMED.....	143
MAV12LR.....	99	RED14/12S.....	42	RED38/08S.....	43	RHV20SRED.....	141
MAV12SR.....	99	RED15/06L.....	40	RED38/10S.....	43	RHV22LMED.....	143
MAVE06LR.....	100	RED15/08L.....	40	RED38/12S.....	43	RHV22LRED.....	141
MAVE06SR.....	100	RED15/10L.....	40	RED38/14S.....	43	RHV25SMED.....	143
MAVE06SR1/4.....	100	RED15/12L.....	40	RED38/16S.....	43	RHV25SRED.....	141
MAVE08LR.....	100	RED16/06S.....	42	RED38/20S.....	43	RHV28LMED.....	143
MAVE08SR.....	100	RED16/08S.....	42	RED38/25S.....	43	RHV28LRED.....	141
MAVE08SR1/4.....	100	RED16/10S.....	42	RED38/30S.....	43	RHV30SMED.....	143
MAVE10LR.....	100	RED16/12S.....	42	RED38S/28L.....	43	RHV30SRED.....	141

RHV35LMED	143	RI1EDX3/4	97	SKA10X1.5	151	SKAR25/16X2.5	153
RHV35LRED	141	RI1EDX3/8	97	SKA10X1.5ORB	155	SKAR25/16X3	153
RHV38SMED	143	RI1EDX11/2	97	SKA10X2	151	SKAR25/20X2	153
RHV38SRED	141	RI1EDX11/4	97	SKA12X1.5	151	SKAR25/20X2.5	153
RHV42LMED	143	RI1X1/2	98	SKA12X1.5ORB	155	SKAR25/20X3	153
RHV42LRED	141	RI1X1/4	98	SKA12X2	151	SKAR25/20X4	153
RHZ06LMED	144	RI1X3/4	98	SKA12X2.5	151	SKAR30/12X1.5	153
RHZ06LRED	142	RI1X3/8	98	SKA12X2ORB	155	SKAR30/12X2	153
RHZ06SMED	144	RI1X11/2	98	SKA14X2	152	SKAR30/12X3	153
RHZ06SRED	142	RI1X11/4	98	SKA14X3	152	SKAR30/16X2	153
RHZ08LMED	144	RI2EDX11/2	97	SKA15X2	151	SKAR30/16X2.5	153
RHZ08LRED	142	RI2X11/2	98	SKA15X2.5	151	SKAR30/20X2	153
RHZ08SMED	144	RI3/4EDX1	97	SKA16X1.5	152	SKAR30/20X2.5	153
RHZ08SRED	142	RI3/4EDX1/2	97	SKA16X2	152	SKAR30/20X3	153
RHZ10LMED	144	RI3/4EDX1/4	97	SKA16X2.5	152	SKAR30/20X4	153
RHZ10LRED	142	RI3/4EDX3/8	97	SKA16X2ORB	155	SKAR30/25X2.5	153
RHZ10SMED	144	RI3/4EDX11/2	97	SKA16X3	152	SKAR30/25X3	153
RHZ10SRED	142	RI3/4EDX11/4	97	SKA18X2.5	151	SKAR30/25X4	153
RHZ12LMED	144	RI3/4X1	98	SKA18X2ORB	155	SKAR38/12X1.5	154
RHZ12LRED	142	RI3/4X1/2	98	SKA20X2	152	SKAR38/12X2	154
RHZ12SMED	144	RI3/4X1/4	98	SKA20X2.5	152	SKAR38/12X3	154
RHZ12SRED	142	RI3/4X3/8	98	SKA20X3	152	SKAR38/16X2	154
RHZ14SMED	144	RI3/4X11/2	98	SKA20X3.5	152	SKAR38/16X2.5	154
RHZ14SRED	142	RI3/4X11/4	98	SKA20X3ORB	155	SKAR38/16X3	154
RHZ15LMED	144	RI3/8EDX1/2	97	SKA20X4	152	SKAR38/20X2	154
RHZ15LRED	142	RI3/8EDX1/4	97	SKA22X2.5	151	SKAR38/20X2.5	154
RHZ16SMED	144	RI3/8EDX1/8	97	SKA22X2ORB	155	SKAR38/20X3	154
RHZ16SRED	142	RI3/8EDX3/4	97	SKA25X3	152	SKAR38/20X4	154
RHZ18LMED	144	RI3/8X1/2	98	SKA25X3.5	152	SKAR38/25X2.5	154
RHZ18LRED	142	RI3/8X1/4	98	SKA25X3ORB	155	SKAR38/25X3	154
RHZ20SMED	144	RI3/8X1/8	98	SKA25X4	152	SKAR38/25X4	154
RHZ20SRED	142	RI3/8X3/4	98	SKA25X5	152	SKAR38/30X3	154
RHZ22LMED	144	RI11/2EDX1	97	SKA28X2.5	151	SKAR38/30X4	154
RHZ22LRED	142	RI11/2EDX1/2	97	SKA28X2ORB	155	SKAR38/30X5	154
RHZ25SMED	144	RI11/2EDX3/4	97	SKA28X3	151	SMA3-200	160
RHZ25SRED	142	RI11/2EDX11/4	97	SKA30X3	152	SMA3-300	160
RHZ28LMED	144	RI11/2X1	98	SKA30X4	152	SMA3-400	160
RHZ28LRED	142	RI11/2X1/2	98	SKA30X5	152	SMA3-630	160
RHZ30SMED	144	RI11/2X3/4	98	SKA30X6	152	SMA3-800	160
RHZ30SRED	142	RI11/2X11/4	98	SKA35X3.5	151	SMA3-1000	160
RHZ35LMED	144	RI11/4EDX1	97	SKA35X4	151	SMA3-1500	160
RHZ35LRED	142	RI11/4EDX1/2	97	SKA38X3	152	SMA3-2000	160
RHZ38SMED	144	RI11/4EDX3/4	97	SKA38X4	152	SMA3-2500	160
RHZ38SRED	142	RI11/4EDX11/2	97	SKA38X5	152	SMA3-3200	160
RHZ42LMED	144	RI11/4X1	98	SKA38X6	152	SMA3-4000	160
RHZ42LRED	142	RI11/4X1/2	98	SKA38X7	152	SV06L	30
RI1/2EDX1	97	RI11/4X3/4	98	SKA42X3	151	SV06S	30
RI1/2EDX1/4	97	RI11/4X11/2	98	SKA42X3ORB	155	SV08L	30
RI1/2EDX1/8	97	ROV06L	101	SKA42X4	151	SV08S	30
RI1/2EDX3/4	97	ROV06S	101	SKAR08/06X1.5	153	SV10L	30
RI1/2EDX3/8	97	ROV08L	101	SKAR10/06X1.5	153	SV10S	30
RI1/2EDX11/4	97	ROV08S	101	SKAR10/08X1.5	153	SV12L	30
RI1/2X1	98	ROV10L	101	SKAR10/08X2	153	SV12S	30
RI1/2X1/4	98	ROV10S	101	SKAR12/08X1.5	153	SV14S	30
RI1/2X1/8	98	ROV12L	101	SKAR12/08X2	153	SV15L	30
RI1/2X3/4	98	ROV12S	101	SKAR12/10X1.5	153	SV16S	30
RI1/2X3/8	98	ROV14S	101	SKAR16/10X2	153	SV18L	30
RI1/2X11/4	98	ROV15L	101	SKAR16/12X1.5	153	SV20S	30
RI1/4EDX1/2	97	ROV16S	101	SKAR16/12X2	153	SV22L	30
RI1/4EDX1/8	97	ROV18L	101	SKAR16/12X2.5	153	SV25S	30
RI1/4EDX3/4	97	ROV20S	101	SKAR20/12X1.5	153	SV28L	30
RI1/4EDX3/8	97	ROV22L	101	SKAR20/12X2	153	SV30S	30
RI1/4X1/2	98	ROV25S	101	SKAR20/12X2.5	153	SV35L	30
RI1/4X1/8	98	ROV28L	101	SKAR20/12X3	153	SV38S	30
RI1/4X3/4	98	ROV30S	101	SKAR20/16X2	153	SV42L	30
RI1/4X3/8	98	ROV35L	101	SKAR20/16X2.5	153	SWVE04LLM	77
RI1/8EDX1/4	97	ROV38S	101	SKAR20/16X3	153	SWVE04LLRKDS	78
RI1/8EDX3/8	97	ROV42L	101	SKAR25/12X1.5	153	SWVE06LLM	77
RI1/8X1/4	98	SKA06X1.5	151	SKAR25/12X2	153	SWVE06LLMKDS	77
RI1/8X3/8	98	SKA08X1.5	151	SKAR25/12X2.5	153	SWVE06LLRKDS	78
RI1EDX1/2	97	SKA08X2	151	SKAR25/12X3	153	SWVE06LM	77
RI1EDX1/4	97	SKA10X1	151	SKAR25/16X2	153	SWVE06LMKDS	77

Alphanumerical index

SWVE06LRKDS.....	78	T12S.....	26	TH08SMKDS.....	73	TR08/10/08L.....	27
SWVE06SM.....	77	T14S.....	26	TH08SR.....	76	TR08/12/08L.....	27
SWVE06SMKDS.....	77	T15L.....	26	TH08SRKDS.....	75	TR10/06/10L.....	27
SWVE06SRKDS.....	78	T16S.....	26	TH10LM.....	74	TR10/06/10S.....	28
SWVE08LLM.....	77	T18L.....	26	TH10LMKDS.....	73	TR10/08/10L.....	27
SWVE08LLMKDS.....	77	T20S.....	26	TH10LR.....	76	TR10/10/06L.....	27
SWVE08LLRKDS.....	78	T22L.....	26	TH10LRKDS.....	75	TR10/15/10L.....	27
SWVE08LM.....	77	T25S.....	26	TH10SM.....	74	TR12/06/12L.....	27
SWVE08LMKDS.....	77	T28L.....	26	TH10SMKDS.....	73	TR12/08/08L.....	27
SWVE08LRKDS.....	78	T30S.....	26	TH10SR.....	76	TR12/08/08S.....	28
SWVE08SM.....	77	T35L.....	26	TH10SRKDS.....	75	TR12/08/12L.....	27
SWVE08SMKDS.....	77	T38S.....	26	TH12LM.....	74	TR12/08/12S.....	28
SWVE08SRKDS.....	78	T42L.....	26	TH12LMKDS.....	73	TR12/10/10L.....	27
SWVE10LM.....	77	TE04LLM.....	89	TH12LR.....	76	TR12/10/12L.....	27
SWVE10LMKDS.....	77	TE04LLR.....	88	TH12LRKDS.....	75	TR12/10/12S.....	28
SWVE10LRKDS.....	78	TE06LLM.....	89	TH12SM.....	74	TR12/12/10L.....	27
SWVE10SM.....	77	TE06LLR.....	88	TH12SMKDS.....	73	TR12/15/12L.....	27
SWVE10SMKDS.....	77	TE06LM.....	89	TH12SR.....	76	TR12/16/12S.....	28
SWVE10SRKDS.....	78	TE06LR.....	88	TH12SRKDS.....	75	TR12/18/12L.....	27
SWVE12LM.....	77	TE06SM.....	89	TH14SM.....	74	TR15/06/15L.....	27
SWVE12LMKDS.....	77	TE06SR.....	88	TH14SMKD.....	73	TR15/10/15L.....	27
SWVE12LRKDS.....	78	TE08LLM.....	89	TH14SR.....	76	TR15/12/12L.....	27
SWVE12SM.....	77	TE08LLR.....	88	TH14SRKDS.....	75	TR15/12/15L.....	27
SWVE12SMKDS.....	77	TE08LM.....	89	TH15LM.....	74	TR15/15/12L.....	27
SWVE12SRKDS.....	78	TE08LR.....	88	TH15LMKDS.....	73	TR16/06/16S.....	28
SWVE14SM.....	77	TE08SM.....	89	TH15LR.....	76	TR16/08/16S.....	28
SWVE14SRKDS.....	78	TE08SR.....	88	TH15LRKDS.....	75	TR16/10/16S.....	28
SWVE15LM.....	77	TE10LM.....	89	TH16SM.....	74	TR16/12/16S.....	28
SWVE15LMKDS.....	77	TE10LR.....	88	TH16SMKDS.....	73	TR16/20/16S.....	28
SWVE15LRKDS.....	78	TE10SM.....	89	TH16SR.....	76	TR18/10/10L.....	27
SWVE16SM.....	77	TE10SR.....	88	TH16SRKDS.....	75	TR18/10/18L.....	27
SWVE16SMKDS.....	77	TE12LM.....	89	TH18LM.....	74	TR18/12/18L.....	27
SWVE16SRKDS.....	78	TE12LR.....	88	TH18LMKDS.....	73	TR18/15/18L.....	28
SWVE18LM.....	77	TE12SM.....	89	TH18LR.....	76	TR18/18/10L.....	28
SWVE18LMKDS.....	77	TE12SR.....	88	TH18LRKDS.....	75	TR20/10/20S.....	28
SWVE18LRKDS.....	78	TE14SM.....	89	TH20SM.....	74	TR20/12/20S.....	28
SWVE20SM.....	77	TE14SR.....	88	TH20SMKDS.....	73	TR20/16/20S.....	28
SWVE20SMKDS.....	77	TE15LM.....	89	TH20SR.....	76	TR20/25/20S.....	28
SWVE20SRKDS.....	78	TE15LR.....	88	TH20SRKDS.....	75	TR22/10/22L.....	28
SWVE22LM.....	77	TE16SM.....	89	TH22LM.....	74	TR22/12/22L.....	28
SWVE22LMKDS.....	77	TE16SR.....	88	TH22LMKDS.....	73	TR22/15/15L.....	28
SWVE22LRKDS.....	78	TE18LM.....	89	TH22LR.....	76	TR22/15/22L.....	28
SWVE25SM.....	77	TE18LR.....	88	TH22LRKDS.....	75	TR22/18/18L.....	28
SWVE25SMKDS.....	77	TE20SM.....	86	TH25SM.....	74	TR22/18/22L.....	28
SWVE25SRKDS.....	78	TE20SR.....	87	TH25SMKDS.....	73	TR22/22/18L.....	28
SWVE28LM.....	77	TE22LM.....	86	TH25SR.....	76	TR25/16/25S.....	28
SWVE28LMKDS.....	77	TE22LR.....	87	TH25SRKDS.....	75	TR25/20/25S.....	28
SWVE28LRKDS.....	78	TE25SM.....	86	TH28LM.....	74	TR25/30/25S.....	28
SWVE30SM.....	77	TE25SR.....	87	TH28LMKDS.....	73	TR28/10/28L.....	28
SWVE30SMKDS.....	77	TE28LM.....	86	TH28LR.....	76	TR28/12/28L.....	28
SWVE30SRKDS.....	78	TE28LR.....	87	TH28LRKDS.....	75	TR28/15/28L.....	28
SWVE35LM.....	77	TE30SM.....	86	TH30SM.....	74	TR28/18/28L.....	28
SWVE35LMKDS.....	77	TE30SR.....	87	TH30SMKDS.....	73	TR28/22/22L.....	28
SWVE35LRKDS.....	78	TE35LM.....	86	TH30SR.....	76	TR28/22/28L.....	28
SWVE38SM.....	77	TE35LR.....	87	TH30SRKDS.....	75	VH04.5CFX.....	107
SWVE38SMKDS.....	77	TE38SM.....	86	TH35LM.....	74	VH04CFX.....	107
SWVE38SRKDS.....	78	TE38SR.....	87	TH35LMKDS.....	73	VH05CFX.....	107
SWVE42LM.....	77	TE42LM.....	86	TH35LR.....	76	VH06.5CFX.....	107
SWVE42LMKDS.....	77	TE42LR.....	87	TH35LRKDS.....	75	VH06CFX.....	107
SWVE42LRKDS.....	78	TH06LM.....	74	TH38SM.....	74	VH07CFX.....	107
T04LL.....	26	TH06LMKDS.....	73	TH38SMKDS.....	73	VH08CFX.....	107
T06L.....	26	TH06LR.....	76	TH38SR.....	76	VH09CFX.....	107
T06LL.....	26	TH06LRKDS.....	75	TH38SRKDS.....	75	VH10.05CFX.....	107
T06S.....	26	TH06SM.....	74	TH42LM.....	74	VH10.5CFX.....	107
T08L.....	26	TH06SMKDS.....	73	TH42LMKDS.....	73	VH10CFX.....	107
T08LL.....	26	TH06SR.....	76	TH42LR.....	76	VH11CFX.....	107
T08S.....	26	TH06SRKDS.....	75	TH42LRKDS.....	75	VH12.95CFX.....	107
T10L.....	26	TH08LM.....	74	TR04/08/04LL.....	27	VH12CFX.....	107
T10LL.....	26	TH08LMKDS.....	73	TR06/04/06LL.....	27	VH13CFX.....	107
T10S.....	26	TH08LR.....	76	TR06/08/06L.....	27	VH14CFX.....	107
T12L.....	26	TH08LRKDS.....	75	TR06/10/06L.....	27	VH15CFX.....	107
T12LL.....	26	TH08SM.....	74	TR08/06/08L.....	27	VH16.00CFX.....	107

VH16CFX.....	107	VKAM15L.....	105	WAS10L.....	148	WE12SR1/2.....	85
VH17CFX.....	107	VKAM16S.....	105	WAS10S.....	148	WE14S1/2NPT.....	81
VH18CFX.....	107	VKAM18L.....	105	WAS12L.....	148	WE14SM.....	82
VH19.90CFX.....	107	VKAM20S.....	105	WAS12S.....	148	WE14SR.....	85
VH19CFX.....	107	VKAM22L.....	105	WAS14S.....	148	WE15L1/2NPT.....	81
VH20CFX.....	107	VKAM25S.....	105	WAS15L.....	148	WE15LM.....	82
VH21CFX.....	107	VKAM28L.....	105	WAS16S.....	148	WE15LR.....	85
VH22CFX.....	107	VKAM30S.....	105	WAS18L.....	148	WE16S1/2NPT.....	81
VH23CFX.....	107	VKAM35L.....	105	WAS20S.....	148	WE16SM.....	82
VH24.90CFX.....	107	VKAM38S.....	105	WAS22L.....	148	WE16SR.....	85
VH24CFX.....	107	VKAM42L.....	105	WAS25S.....	148	WE18L1/2NPT.....	81
VH25CFX.....	107	VSTI1/2ED.....	103	WAS28L.....	148	WE18LM.....	82
VH26CFX.....	107	VSTI1/4ED.....	103	WAS30S.....	148	WE18LR.....	85
VH27CFX.....	107	VSTI1/8ED.....	103	WAS35L.....	148	WE20S3/4NPT.....	81
VH30CFX.....	107	VSTI1ED.....	103	WAS38S.....	148	WE20SM.....	83
VH31CFX.....	107	VSTI3/4ED.....	103	WAS42L.....	148	WE20SR.....	84
VH32.10CFX.....	107	VSTI3/8ED.....	103	WE04LL1/8NPT.....	81	WE22L1/4NPT.....	81
VH32CFX.....	107	VSTI8X1OR.....	102	WE04LLM.....	82	WE22LM.....	83
VH33CFX.....	107	VSTI10X1ED.....	103	WE04LLR.....	85	WE22LR.....	84
VH34CFX.....	107	VSTI10X1OR.....	102	WE06L1/4NPT.....	81	WE25S1NPT.....	81
VH37.8CFX.....	107	VSTI11/2ED.....	103	WE06L1/8NPT.....	81	WE25SM.....	83
VH38CFX.....	107	VSTI11/4ED.....	103	WE06L3/8NPT.....	81	WE25SR.....	84
VH39CFX.....	107	VSTI12X1.5ED.....	103	WE06LL1/8NPT.....	81	WE28L1NPT.....	81
VKA3/06L.....	159	VSTI12X1.5OR.....	102	WE06LLM.....	82	WE28LM.....	83
VKA3/06S.....	159	VSTI14X1.5ED.....	103	WE06LLR.....	85	WE28LR.....	84
VKA3/08L.....	159	VSTI14X1.5OR.....	102	WE06LM.....	82	WE30S11/4NPT.....	81
VKA3/08S.....	159	VSTI16X1.5ED.....	103	WE06LR.....	85	WE30SM.....	83
VKA3/10L.....	159	VSTI16X1.5OR.....	102	WE06LR1/4.....	85	WE30SR.....	84
VKA3/10S.....	159	VSTI18X1.5ED.....	103	WE06S1/4NPT.....	81	WE35L11/4NPT.....	81
VKA3/12L.....	159	VSTI18X1.5OR.....	102	WE06SM.....	82	WE35LM.....	83
VKA3/12S.....	159	VSTI20X1.5ED.....	103	WE06SR.....	85	WE35LR.....	84
VKA3/14S.....	159	VSTI22X1.5ED.....	103	WE06SR3/8.....	85	WE38S11/2NPT.....	81
VKA3/15L.....	159	VSTI22X1.5OR.....	102	WE08L1/4NPT.....	81	WE38SM.....	83
VKA3/16S.....	159	VSTI26X1.5ED.....	103	WE08L1/8NPT.....	81	WE38SR.....	84
VKA3/18L.....	159	VSTI26X1.5OR.....	102	WE08LL1/8NPT.....	81	WE42L11/2NPT.....	81
VKA3/20S.....	159	VSTI27X2ED.....	103	WE08LLM.....	82	WE42LM.....	83
VKA3/22L.....	159	VSTI27X2OR.....	102	WE08LLR.....	85	WE42LR.....	84
VKA3/25S.....	159	VSTI33X2ED.....	103	WE08LM.....	82	WEE04LLR.....	67
VKA3/28L.....	159	VSTI33X2OR.....	102	WE08LR.....	85	WEE06LLR.....	67
VKA3/30S.....	159	VSTI42X2ED.....	103	WE08LR1/8.....	85	WEE06LR.....	67
VKA3/35L.....	159	VSTI42X2OR.....	102	WE08LR3/8.....	85	WEE06SR.....	67
VKA3/38S.....	159	VSTI48X2ED.....	103	WE08S1/2NPT.....	81	WEE08LR.....	67
VKA3/42L.....	159	VSTI48X2OR.....	102	WE08S1/4NPT.....	81	WEE08SR.....	67
VKA06.....	104	W04LL.....	25	WE08S3/8NPT.....	81	WEE10LR.....	67
VKA06.....	104	W06L.....	25	WE08SM.....	82	WEE10SR.....	67
VKA08.....	104	W06LL.....	25	WE08SR.....	85	WEE12LR.....	67
VKA08.....	104	W06S.....	25	WE08SR3/8.....	85	WEE12SR.....	67
VKA10.....	104	W08L.....	25	WE10L1/4NPT.....	81	WEE15LR.....	67
VKA10.....	104	W08LL.....	25	WE10L3/8NPT.....	81	WEE16SR.....	67
VKA12.....	104	W08S.....	25	WE10LLR.....	85	WEE18LR.....	67
VKA12.....	104	W10L.....	25	WE10LM.....	82	WEE20SR.....	67
VKA14.....	104	W10LL.....	25	WE10LR.....	85	WEE22LR.....	67
VKA15.....	104	W10S.....	25	WE10LR3/8.....	85	WEE25SR.....	67
VKA16.....	104	W12L.....	25	WE10S1/4NPT.....	81	WEE28LR.....	67
VKA18.....	104	W12LL.....	25	WE10S3/8NPT.....	81	WEE30SR.....	67
VKA20.....	104	W12S.....	25	WE10SM.....	82	WEE35LR.....	67
VKA22.....	104	W14S.....	25	WE10SR.....	85	WEE38SR.....	67
VKA25.....	104	W15L.....	25	WE10SR1/2.....	85	WEE42LR.....	67
VKA28.....	104	W16S.....	25	WE10SR1/4.....	85	WH06LM.....	70
VKA30.....	104	W18L.....	25	WE12L1/2NPT.....	81	WH06LMKDS.....	69
VKA35.....	104	W20S.....	25	WE12L1/4NPT.....	81	WH06LR.....	72
VKA38.....	104	W22L.....	25	WE12L3/8NPT.....	81	WH06LRKDS.....	71
VKA42.....	104	W25S.....	25	WE12LLR.....	85	WH06SM.....	70
VKAM06L.....	105	W28L.....	25	WE12LM.....	82	WH06SMKDS.....	69
VKAM06S.....	105	W30S.....	25	WE12LR.....	85	WH06SR.....	72
VKAM08L.....	105	W35L.....	25	WE12LR1/2.....	85	WH06SRKDS.....	71
VKAM08S.....	105	W38S.....	25	WE12LR1/4.....	85	WH08LM.....	70
VKAM10L.....	105	W42L.....	25	WE12S1/2NPT.....	81	WH08LMKDS.....	69
VKAM10S.....	105	WAS06L.....	148	WE12S1/4NPT.....	81	WH08LR.....	72
VKAM12L.....	105	WAS06S.....	148	WE12S3/8NPT.....	81	WH08LRKDS.....	71
VKAM12S.....	105	WAS08L.....	148	WE12SM.....	82	WH08SM.....	70
VKAM14S.....	105	WAS08S.....	148	WE12SR.....	85	WH08SMKDS.....	69

Alphanumerical index

WH08SR.....	72	WSV12L.....	31
WH08SRKDS.....	71	WSV12S	31
WH10LM	70	WSV14S	31
WH10LMKDS.....	69	WSV15L.....	31
WH10LR.....	72	WSV16S	31
WH10LRKDS.....	71	WSV18L.....	31
WH10SM	70	WSV20S	31
WH10SMKDS.....	69	WSV22L.....	31
WH10SR.....	72	WSV25S	31
WH10SRKDS.....	71	WSV28L.....	31
WH12LM	70	WSV30S	31
WH12LMKDS	69	WSV35L.....	31
WH12LR	72	WSV38S	31
WH12LRKDS.....	71	WSV42L.....	31
WH12SM	70	WV08LOMD.....	146
WH12SMKDS.....	69	WV10LOMD.....	146
WH12SR.....	72	WV12LOMD.....	146
WH12SRKDS.....	71	WV15LOMD.....	146
WH14SM	70		
WH14SMKD	69		
WH14SR.....	72		
WH14SRKDS.....	71		
WH15LM	70		
WH15LMKDS	69		
WH15LR	72		
WH15LRKDS.....	71		
WH16SM	70		
WH16SMKDS.....	69		
WH16SR.....	72		
WH16SRKDS.....	71		
WH18LM	70		
WH18LMKDS	69		
WH18LR	72		
WH18LRKDS.....	71		
WH20SM	70		
WH20SMKDS.....	69		
WH20SR.....	72		
WH20SRKDS.....	71		
WH22LM	70		
WH22LMKDS	69		
WH22LR	72		
WH22LRKDS.....	71		
WH25SM	70		
WH25SMKDS.....	69		
WH25SR.....	72		
WH25SRKDS.....	71		
WH28LM	70		
WH28LMKDS	69		
WH28LR	72		
WH28LRKDS.....	71		
WH30SM	70		
WH30SMKDS.....	69		
WH30SR.....	72		
WH30SRKDS.....	71		
WH35LM	70		
WH35LMKDS	69		
WH35LR	72		
WH35LRKDS.....	71		
WH38SM	70		
WH38SMKDS.....	69		
WH38SR.....	72		
WH38SRKDS.....	71		
WH42LM	70		
WH42LMKDS	69		
WH42LR	72		
WH42LRKDS.....	71		
WSV06L.....	31		
WSV06S	31		
WSV08L.....	31		
WSV08S	31		
WSV10L.....	31		
WSV10S	31		

Notes

A large grid of graph paper, consisting of 20 columns and 40 rows of small squares, intended for taking notes.

Notes

A large grid of graph paper for taking notes, consisting of 20 columns and 30 rows of small squares.