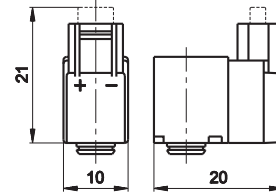


# COILS



COUPLING TABLE COILS/ELECTROPILOTS ELECTROPILOTS/SOLENOID VALVES			Electropilots					
			A	B	AA(U1)	AA(U3)	AB (U2)	
Coils	U04	10 mm		■				
	U05	15 mm	■					
	U1	22 mm			■			
	U2	30 mm					■	
	U3	30 mm				■		
Solenoid valves	BE		ISO 1- ISO 2 ISO 3 - ISO 4			■	■	
	AE		ISO 1 ISO 2			■	■	
	BD		ISO 01 26 mm ISO 02 18 mm	■				
	AC-N		NAMUR interface			■	■	
	CL CM		G1/8 G1/4			■	■	
	G6 GL6		G1/8 sub-base	■				
	G7		G1/8	■				
	PS		tube Ø 4 tube Ø 6 tube Ø 8		■			
	AC		G1/8 - G1/4					
			G1/2			■	■	
	AF		G1/8			■	■	■
			G1/4 - G3/8			■	■	
			G1/2 ÷ G1 1/2					■
AG		G1/8			■	■		
		G1/4 ÷ G1 1/2					■	

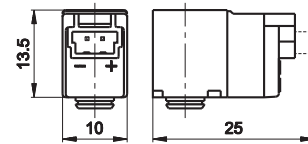
U04 coil with integrated 90° upward connector



Life of ED (a)	Input W		Tension tolerance	Rated voltage	Weight	Part no.	Connector
	%	continuo					
100	1,2	1,2	±10	24 V DC	0,013	DE-352	D-500 D-530-... D-535-...
100	1,35	1,35	±10	24 V DC	0,013	DE-452	

Upon request 12 VDC

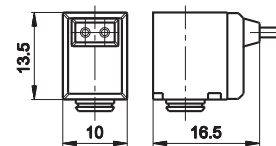
U04 coil with in-line connector



Life of ED (a)	Input W		Tension tolerance	Rated voltage	Weight	Part no.	Connector
	%	continuo					
100	1,2	1,2	±10	24 V DC	0,013	DE-552	D-500 D-530-... D-535-...
100	1,35	1,35	±10	24 V DC	0,013	DE-652	

Upon request 12 VDC

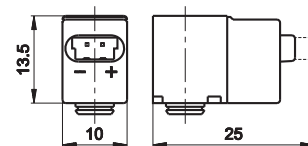
U04 coil with loose cables (length 300 mm)



Life of ED (a)	Input W		Tension tolerance	Rated voltage	Weight	Part no.(b)
	%	continuo				
100	1,2	1,2	±10	24 VDC	0,013	DE-052L030

Upon request 12 VDC

U04 coil with in-line connector with protecting cover for complete tightness



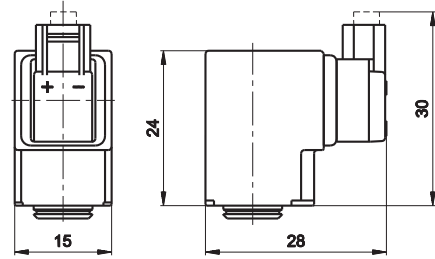
Life of ED (a)	Input W		Tension tolerance	Rated voltage	Weight	Part no.	Connector
	%	continuo					
100	1,35	1,35	±10	12 V DC	0,013	DE-642I	D-500 D-530-... D-535-...
100	1,35	1,35	±10	24 V DC	0,013	DE-652I	

(a) = 110V - 230V solenoid valves must be built-in (EN-60204-1)

under continuous service a maximum temperature will not compromise the functioning of the coil provided that the working position is ventilated

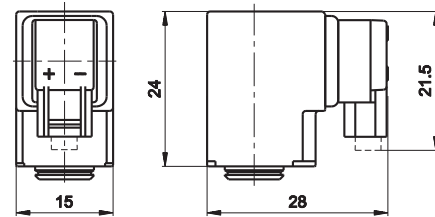
(b) = different wire lengths are available upon request

U05 coil with integrated 90° upward connector



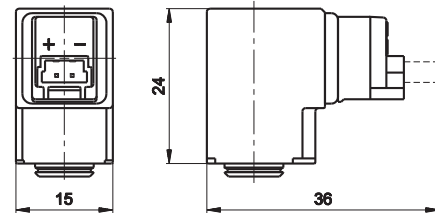
Life of ED (a)		Input W		Tension tolerance	Rated voltage	Weight Kg	Part no.	Connector
%		continuo	start	%				
100		2	2	±10	24 V DC	0,019	DD-351	D-500 D-530-... D-535-...

U05 coil with integrated 90° upward connector



Life of ED (a)		Input W		Tension tolerance	Rated voltage	Weight Kg	Part no.	Connector
%		continuo	start	%				
100		2	2	±10	24 V DC	0,019	DD-151	D-500 D-530-... D-535-...

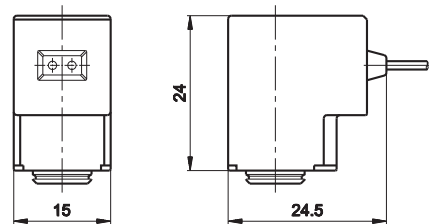
U05 coil with in-line connector



Life of ED (a)		Input W		Tension tolerance	Rated voltage	Weight Kg	Part no.	Connector
%		continuo	start	%				
100		2	2	±10	24 V DC	0,019	DD-551	D-500 D-530-... D-535-...

Upon request: version with LED and V DC version

U05 coil with loose cables



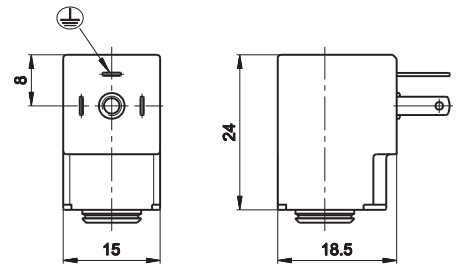
Life of ED (a)		Input W		Tension tolerance	Rated voltage	Weight Kg	Part no. (b)
%		continuo	start	%			
100		1,5	1,5	±10	12 V DC	0,019	DD-051L030
100		2	2	±10	24 V DC	0,019	DD-052L030

(a) = 110V - 230V solenoid valves must be built-in (EN-60204-1)

under continuous service a maximum temperature will not compromise the functioning of the coil provided that the working position is ventilated

(b) = different wire lengths are available upon request

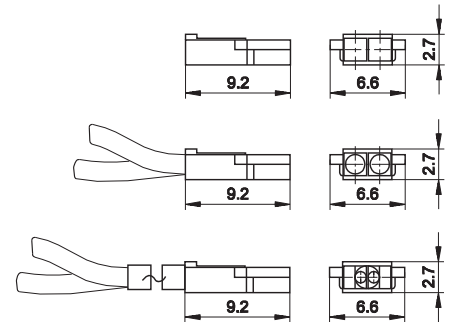
U05 lato 15 mm coil - Faston



Life of ED (a) %	Input W				Tolerance		Rated voltage		Frequency	Weight	Part no.	Connector
	DC W		AC VA		tension %		DCV	ACV	HZ	Kg		
	Contin.	Start	Conti.	Start	DC	AC						
100	-	-	3,5	-	-	±10	-	24	50/60	0,019	DD-011	AM-5109
100	-	-	3,5	-	-	±10	-	230	50/60	0,019	DD-013	
100	-	-	2,3	3,2	±10	±10	-	24	50/60	0,019	DD-040	
100	1,5	1,5	-	-	±10	-	12	-	-	0,019	DD-041	
100	2,5	2,5	-	-	±10	±10	12	-	-	0,019	DD-042	
100	-	-	2,3	3,2	±10	-	-	48	50/60	0,019	DD-050	
100	2	2	-	-	±10	±10	24	-	-	0,019	DD-051	
100	2,5	2,5	-	-	±10	-	24	-	-	0,019	DD-052	
100	-	-	-	-	±10	±10	-	110	50/60	0,019	DD-060	
100	-	-	2,3	3,2	±10	-	-	230	50/60	0,019	DD-070	

Connectors for U04 e U05 coils

	Length mm	Coil	Part no.
<b>MINIATURE CONNECTOR WITHOUT WIRES</b>			
	-	U04/U05	D-500
<b>MINIATURE CONNECTOR WITH LOOSE CABLES</b>			
	300	U04/U05	D-530-30
	500	U04/U05	D-530-50
	2000	U04/U05	D-530-200
<b>MINIATURE CONNECTOR WITH CABLE</b>			
	300	U04/U05	D-535-30
	500	U04/U05	D-535-50
	2000	U04/U05	D-535-200

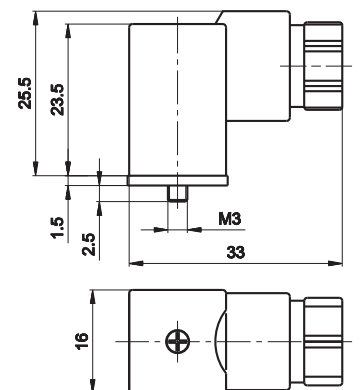


CAUTION! Do not invert the polarity when connecting to be coil with LED.

15 mm connector



- U05 AM-5109



Protection according to IP65. PG9 cable connection. 180° rotation on the coil.

Upon request version with LED:

(a) = 110V - 230V solenoid valves must be built-in (EN-60204-1)

under continuous service a maximum temperature will not compromise the functioning of the coil provided that the working position is ventilated

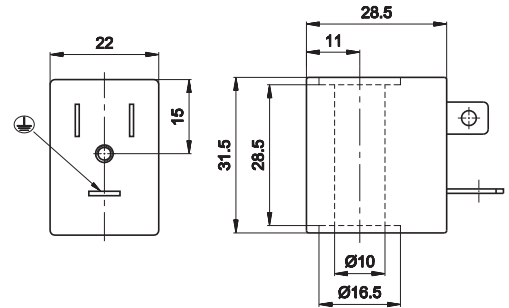
Possibility of replacement without intervention in the pneumatic circuit  
 Other voltages available upon request  
 360° rotation on the pilot. Coil winding: H class  
 Ambient temperature: -10 ÷ +45 °C. Fluid temperature: -10 ÷ +95 °C.



The solenoid valves functioning with 100V-230V must be incorporated (EN60204-1)

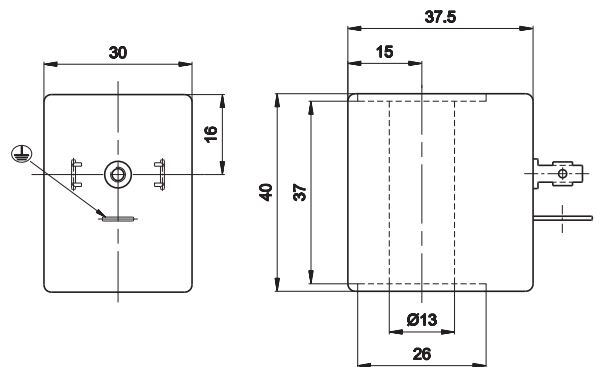
Under continuous service a maximum temperature will not compromise the functioning of the coil provided that the working position is ventilated.

U1 22 mm coil to be used with U1 electropilot



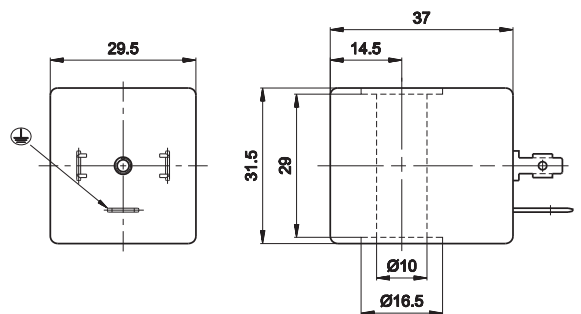
Life of ED (a)		Input W		Tolerance tension	Rated voltage	Weight	Part no.
%	continuo	start	%			Kg	
100	3,5	3,5	±10	12 V DC	0,06	DA-0050	
100	3,5	3,5	±10	24 V DC	0,06	DA-0051	
100	5,4 VA (max)	7,8 VA (max)	±10	24 V AC/50-60 HZ	0,06	DA-0106	
100	5,4 VA (max)	7,8 VA (max)	±10	110 V AC/50-60 HZ	0,06	DA-0108	
100	5,4 VA (max)	7,8 VA (max)	±10	230 V AC/50-60 HZ	0,06	DA-0124	

U2 30 mm coil to be used with U2 electropilot



Life of ED (a)		Input W		Tension tolerance	Rated voltage	Weight	Part no.
%	continuous	start	%			Kg	
100	11	11	±10	12 V DC	0,10	DB-0501	
100	11	11	±10	24 V DC	0,10	DB-0502	
100	10 VA (max)	16 VA (max)	±10	24 V AC/50-60 HZ	0,10	DB-0507	
100	10 VA (max)	16 VA (max)	±10	110 V AC/50-60 HZ	0,10	DB-0509	
100	10 VA (max)	16 VA (max)	±10	230 V AC/50-60 HZ	0,10	DB-0510	

U3 30 mm coil to be used with U1 electropilot



Life of ED (a)		Input W		Tension tolerance	Rated voltage	Weight	Part no.
%	continuous	start	%			Kg	
100	2,5	2,5	±10	12 V DC	0,08	DC-0301	
100	2,5	2,5	±10	24 V DC	0,08	DC-0302	
100	3,3 VA (max)	5 VA (max)	±10	24 V AC/50-60 HZ	0,08	DC-0307	
100	3,3 VA (max)	5 VA (max)	±10	110 V AC/50-60 HZ	0,08	DC-0309	
100	3,3 VA (max)	5 VA (max)	±10	230 V AC/50-60 HZ	0,08	DC-0309	

(a) = 110V - 230V solenoid valves must be built-in (EN-60204-1)  
 under continuous service a maximum temperature will not compromise the functioning of the coil provided that the working position is ventilated

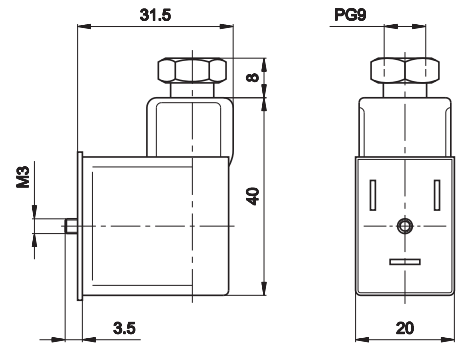
**Connector for U1 coil**

Coil	Part no.
Connector	



U1 AM-5110

Protection according to IP 65. PG9 cable connection. 180° rotation on the coil. LED and moulded cable are available upon request.



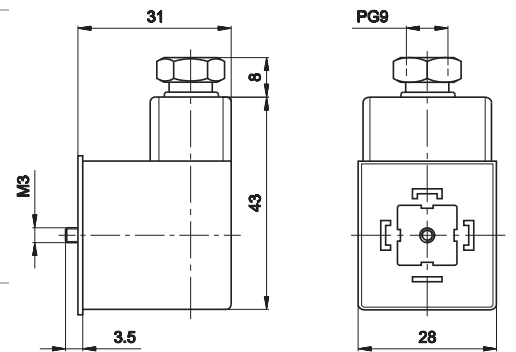
**Connector for U2, U3 coil**

Coil	Part no.
DIN 43650 connector	



U2/U3 AM-5111

Protection according to IP 65. PG9 cable connection. 360° rotation on the coil. LED and moulded cable are available upon request.



<b>MATCHING TABLE</b> - COILS/ELECTROPILOTS - ELECTROPILOTS/SOLENOID VALVES			Electropilots						
			A (U05)	B (U04)	AA (U1)	AA (U3)		AB (U2)	
Coils	U04	10 mm		■					
	U05	15 mm	■						
	U1	22 mm			■				
	U2	30 mm						■	■
	U3	30 mm				■	■		
Solenoid valves	BE	ISO 1 - ISO 2 ISO 3 - ISO 4	■ (a)				■		R
	AE	ISO 1 - ISO 2			■	■			
	BD	ISO 01 26 mm ISO 02 18 mm	■						
	AC-N	Interface NAMUR			■	■			
	CL	G1/8			■	■			
	CM	G1/4			■	■			
	COMPA 2/4		■						
	G6	G1/8	■	■					
	GL6	sub-base	■						
	G7	G1/8	R		■	■			
	PS	tube Ø 4 tube Ø 6 tube Ø 8							
	AC	G1/8 - G1/4			■	■			
		G1/2			R	R		■	
	AF	G1/8			■	■			
		G1/4 - G3/8			■	■		■	
		G1/2 ÷ G1			R	R		■	
		G1 1/2							■
AG	G1/8			■	■				
	G1/4 ÷ G1			R	R		■		
	G1 1/2							■	
P15E	G1/8	■							

■ = Standard      R = Upon request      (a) = Connector M12

### 10 mm U04 Coils for B series electropilots

■ With integrated 90° upward connector



DE-352 24 V DC 1,2 W  
DE-452 24 V DC 1,35 W (with led)  
  
DE-355 24 V DC 0,5 W  
**NEW**

**Connector:**  
D-500  
D-530-...  
D-535-...

■ With in-line connector



DE-552 24 V DC 1,2 W  
DE-652 24 V DC 1,35 W (with led)  
  
DE-555 24 V DC 0,5 W  
**NEW**

**Connector:**  
D-500  
D-530-...  
D-535-...

■ With loose cables (length 300 mm)



DE-052L030 24 V DC 1,2 W

■ With in-line connector with protecting cover for complete tightness



DE-642I 12 V DC 1,35 W  
DE-652I 24 V DC 1,35 W (with led)  
  
DE-655I 24 V DC 0,5 W  
**NEW**

**Connector:**  
D-530C-100  
D-530C-200

15 mm U05 Coils for A series electropilot

■ with integrated 90° upward connector



**DD-351** 24 V DC 2 W  
**Connector:**  
 D-500  
 D-530-...  
 D-535-...

■ with integrated 90° downward connector



**DD-151** 24 V DC 2 W  
**Connector:**  
 D-500  
 D-530-...  
 D-535-...

■ with in-line connector



**DD-551** 24 V DC 2 W  
**Connector:**  
 D-500  
 D-530-...  
 D-535-...

■ with loose cables



**DD-051L030** 12 V DC 2 W  
**DD-052L030** 24 V DC 2,5 W

■ 15 mm - Faston



**DD-013** 230 V AC 50/60 Hz 3,5 VA  
**DD-040** 24 V AC 50/60 Hz 2,3 VA  
**DD-041** 12 V DC 2 W  
**DD-042** 12 V DC 2,5 W  
**DD-050** 48 V AC 50/60 Hz 2,3 VA

**Connector:**  
 AM-5109

**DD-051** 24 V DC 2 W  
**DD-052** 24 V DC 2,5 W  
**DD-060** 110 V AC 50/60 Hz 2,3 VA  
**DD-070** 230 V AC 50/60 Hz 2,3 VA

U1 - U2 - U3 Coil

■ 22 mm (U1)



**DA-0050** 12 V DC 3,5 W  
**DA-0051** 24 V DC 3,5 W  
**DA-0106** 24 V AC 50/60 Hz 5 VA  
**DA-0108** 110 V AC 50/60 Hz 5 VA  
**DA-0124** 230 V AC 50/60 Hz 5 VA

■ 30 mm (U2)



**DB-0501** 12 V DC 11 W  
**DB-0502** 24 V DC 11 W  
**DB-0507** 24 V AC 50/60 Hz 10 VA  
**DB-0509** 110 V AC 50/60 Hz 10 VA  
**DB-0510** 230 V AC 50/60 Hz 10 VA

■ 30 mm (U3)



**DC-0301** 12 V DC 2,5 W  
**DC-0302** 24 V DC 2,5 W  
**DC-0307** 24 V AC 50/60 Hz 3,3 VA  
**DC-0309** 110 V AC 50/60 Hz 3,3 VA  
**DC-0310** 230 V AC 50/60 Hz 3,3 VA



U1-U2-U3 coils are certified in compliance with CSA regulation, certificate n. LR 113373-1.

For coils certified in compliance with UL regulation, please contact our Sales Office

Connectors

■ Miniature connector without wires



**D-500**  
**Coil:**  
 U04/U05

■ Miniature connector with loose cables



**D-530-30**  
**D-530-50**  
**D-530-200**  
**Coil:**  
 U04/U05

■ Miniature connector with cable



**D-535-30**  
**D-535-50**  
**D-535-200**  
**Coil:**  
 U04/U05

■ 15 mm Connector



**AM-5109**  
**Coil:**  
 U05

■ 20 mm Connector



**AM-5110**  
**Coil:**  
 U1

■ 30 mm Connector



**AM-5111**  
**Coil:**  
 U2/U3