

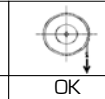
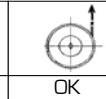
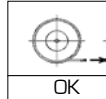
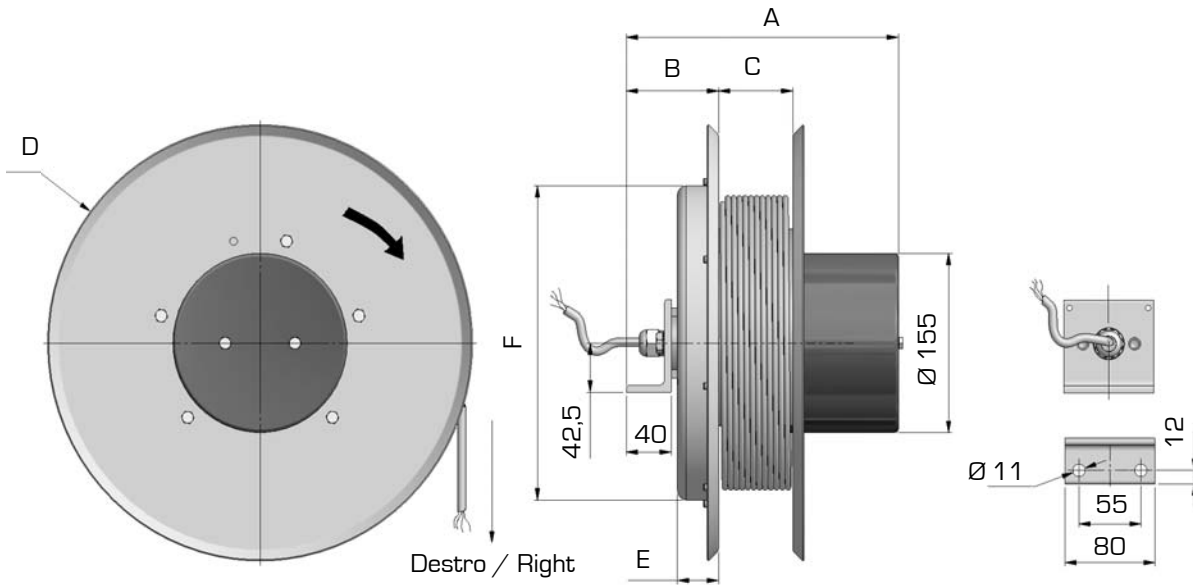
**143.0**

IP 65

 75 V  
 MAX  
 6 A

-20 / +60°C

NO MANUAL


 SINISTRO  
 LEFT

 CRD 520 = MODELLO DESTRO / RIGHT MODEL  
 CRS 520 = MODELLO SINISTRO / LEFT MODEL

Cavo/Cable			A	B	C	D	E	F	Uso orizzontale Horizontal use	Uso verticale Vertical use
Tipo/Type	ø mm	mt.	mm						CODE	CODE
2x1,5 mm <sup>2</sup>	8,0	6	161	82	-	235	30	228	CRD230.021506	CRD230.021506/V
		10	161	82	-	275	37	272	CRD270.021510	CRD270.021510/V
		15	161	82	-	370	37	322	CRD370.021515	CRD370.021515/V
		25	161	92	-	420	47	322	CRD420.021525	CRD420.021525/V
		30	161	92	-	478	47	422	CRD470.021530	CRD470.021530/V
		45	161	92	-	820	47	422	CRD800.021545	CRD800.021545/V
3x1,5 mm <sup>2</sup>	8,0	6	150	82	-	235	30	228	CRD230.031506	CRD230.031506/V
		10	210	82	-	275	37	272	CRD270.031510	CRD270.031510/V
		15	210	82	-	370	37	322	CRD370.031515	CRD370.031515/V
		25	210	92	-	420	47	322	CRD420.031525	CRD420.031525/V
		30	220	92	-	478	47	422	CRD470.031530	CRD470.031530/V
		45	220	92	-	820	47	532	CRD800.031545	CRD800.031545/V
4x1,5 mm <sup>2</sup>	9,3	5	230	82	-	235	30	228	CRD230.041505	CRD230.041505/V
		10	230	82	-	295	37	272	CRD295.041510	CRD295.041510/V
		15	230	82	-	370	37	322	CRD370.041515	CRD370.041515/V
		20	240	92	-	420	47	322	CRD420.041520	CRD420.041520/V
		25	240	92	-	520	47	422	CRD520.041525	CRD520.041525/V
		30	240	92	-	620	47	532	CRD600.041530	CRD600.041530/V
		35	240	92	-	720	47	532	CRD700.041535	CRD700.041535/V
		40	240	92	-	820	47	532	CRD800.041540	CRD800.041540/V
7x1,5 mm <sup>2</sup>	11,7	10	250	82	-	340	37	322	CRD340.071510	CRD340.071510/V
		15	250	92	-	370	37	322	CRD370.071515	CRD370.071515/V
		20	260	92	-	520	47	422	CRD520.071520	CRD520.071520/V
		25	260	92	-	570	47	422	CRD570.071525	CRD570.071525/V
		35	270	92	-	720	47	532	CRD700.071535	CRD700.071535/V