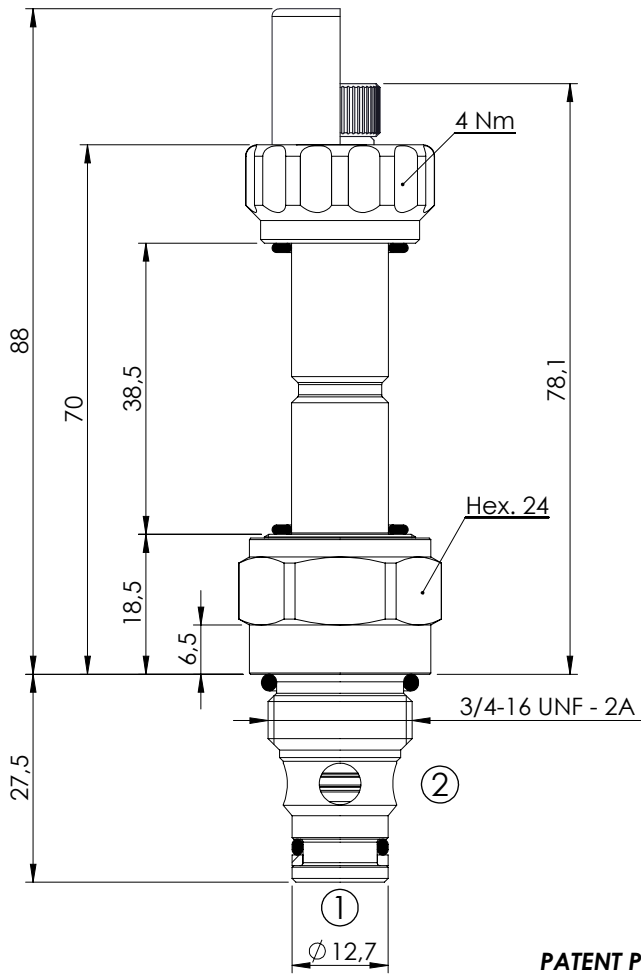


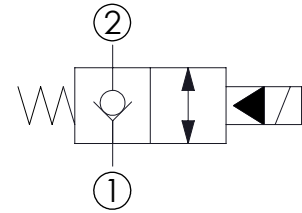
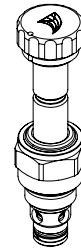
**SOLENOID OPERATED CARTRIDGE**

**CEBN-040-NCFN**

**PILOT OPERATED  
POPPET TYPE**



PATENT PENDING

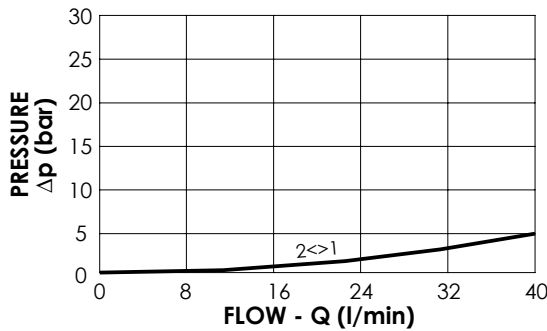


**SPECIFICATIONS**

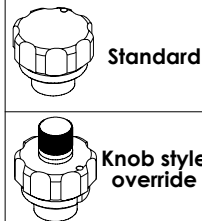
Max. operating pressure:	350/500 bar
Rated flow:	40 l/min
Cavity:	SAE-08-2N
Weight:	0,14 kg
Min. voltage required:	90% of nominal
Coil type:	M7 type
Seal kit:	RA900081

**NOTES**

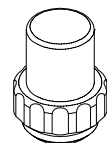
Installation torque: 45 - 50 Nm



**OPTIONS**



**SEALING CAP**



Ordering code:  
AT000113

**ORDERING CODES**

Quick code	Description	Options	Max operating pressure (bar)	Extra Spring
CE000218	CEBN-040-NCFN-05-S08-N350	Standard	350	No
CE000220	CEBN-040-NCFK-05-S08-N350	Knob style override	350	No
CE000219	CEBN-040-XCFN-05-S08-N350	Standard	350	Yes
CE000221	CEBN-040-XCFK-05-S08-N350	Knob style override	350	Yes
CE000518	CEBN-040-NCFN-05-S08-N500	Standard	500	No
CE000520	CEBN-040-NCFK-05-S08-N500	Knob style override	500	No