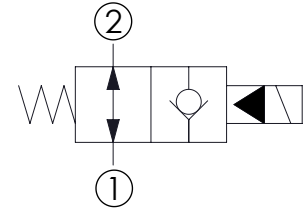
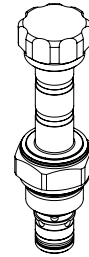
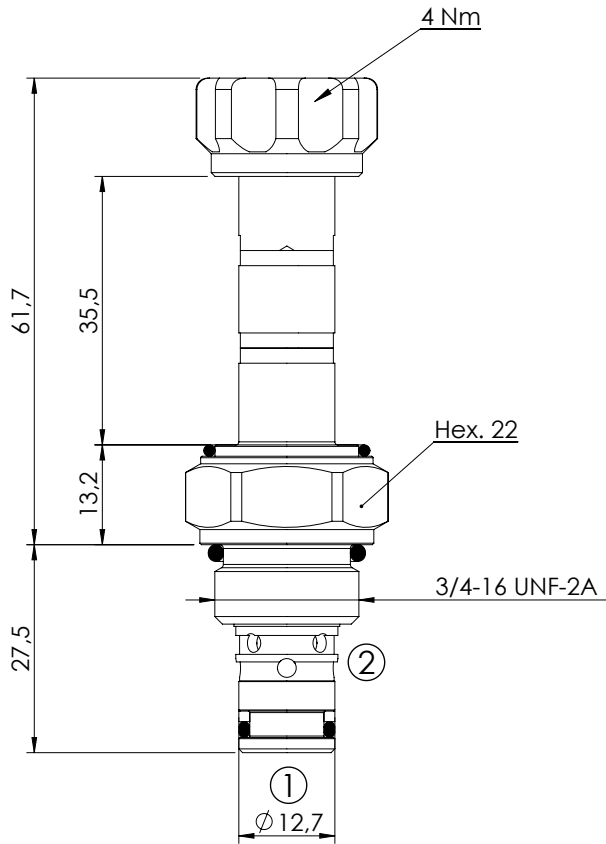


**SOLENOID OPERATED CARTRIDGE**

**CEBP-030-NAFN**

**PILOT OPERATED  
POPPET TYPE**

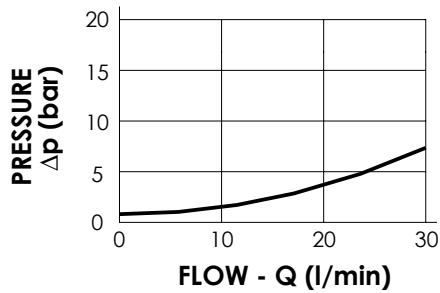


**SPECIFICATIONS**

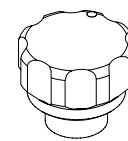
|                          |                |
|--------------------------|----------------|
| Max. operating pressure: | 350 bar        |
| Rated flow:              | 30 l/min       |
| Cavity:                  | SAE-08-2N      |
| Weight:                  | 0,11 kg        |
| Min. voltage required:   | 90% of nominal |
| Coil type:               | M7             |

**NOTES**

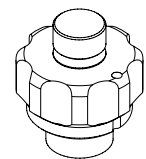
Installation torque: **45 - 50 Nm**



**OPTIONS**



Standard



Push style  
override

**ORDERING CODES**

| Quick code | Description               | Options             |  |
|------------|---------------------------|---------------------|--|
| CE000033   | CEBP-030-NAFN-06-S08-N350 | Standard            |  |
| CE000036   | CEBP-030-NAFE-06-S08-N350 | Push style override |  |
|            |                           |                     |  |
|            |                           |                     |  |
|            |                           |                     |  |