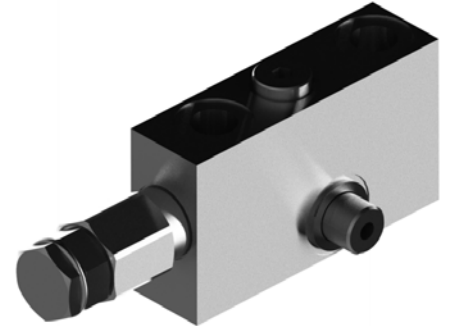
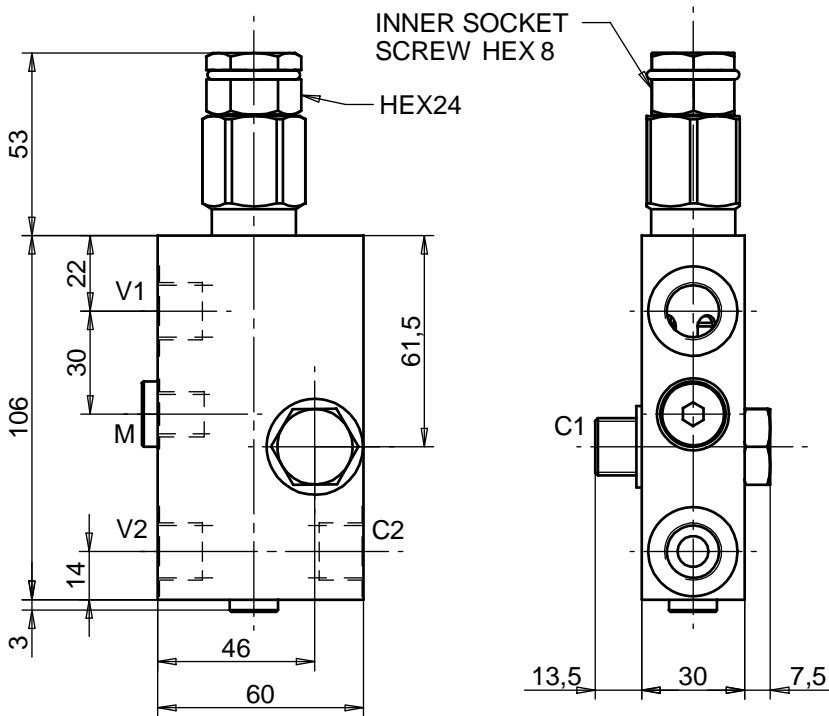
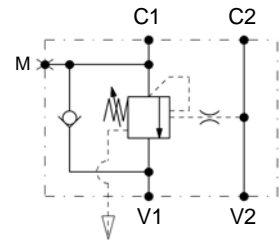


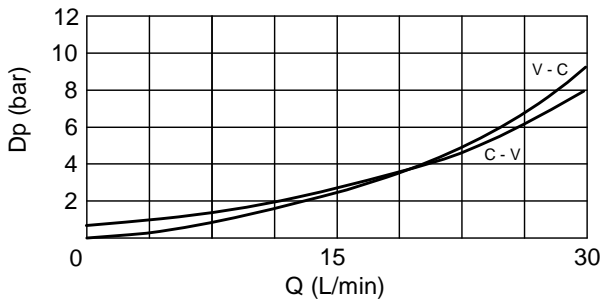
### Dimensions



### Hydraulic Symbol



### Curves



### Features

Max Flow	40 lpm
Max Pressure	350 bar
Pilot Ratio	4,2:1
Std. Pressure range	100 - 350 bar
Ports	3/8 bsp

**Materials:** Zinc plated steel cartridge, hardened steel inner parts. Aluminium manifold.

### Ordering Code

**CBSEPFCC 02**