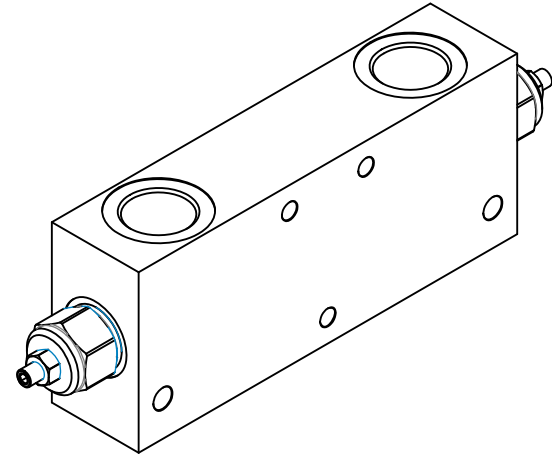
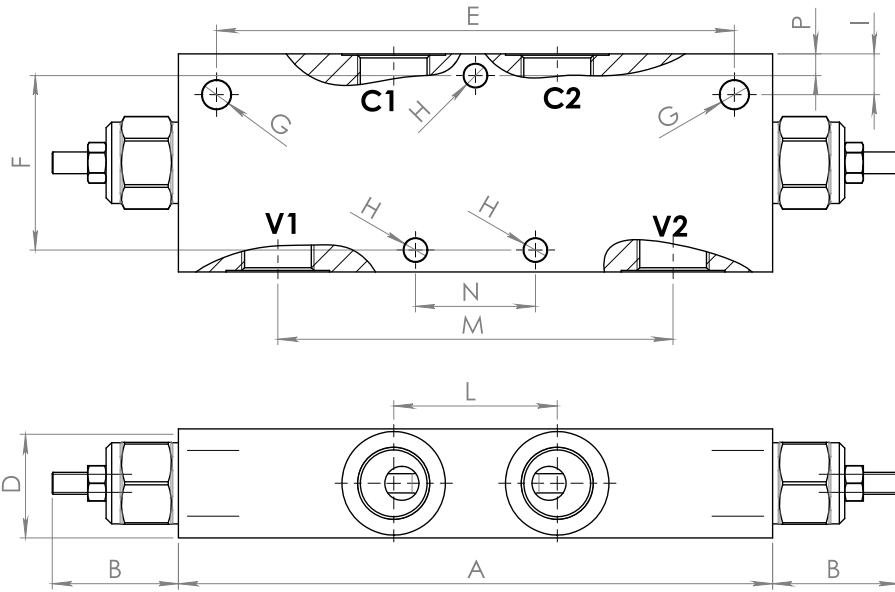
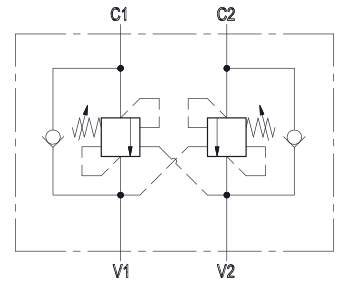


### Dimensions

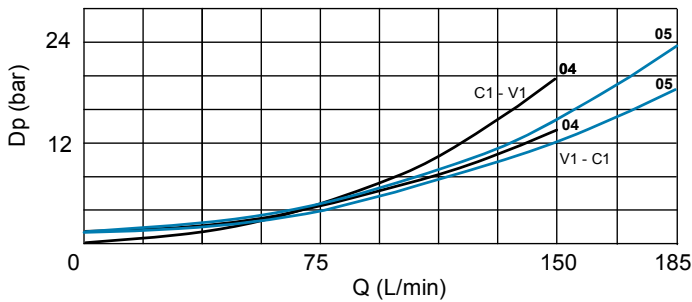


Size	A	B max	C	C1 - C2 V1 - V2 BSP	D	E	F	G	H	I	L	M	N	P	Weight kg
<b>04</b>	218	43,5	80	3/4	40	190	64	10,5	8,5	15	60	145	44	8	2,22

### Hydraulic Symbol



### Curves



### Features

<b>Rated Flow</b>	(04) 150 lpm - (05) 180 lpm
<b>Max Pressure</b>	350 bar
<b>Pilot Ratio</b>	6:1

**Materials:** Zinc plated steel cartridge, hardened steel inner parts.  
Aluminium manifold.

### Ordering Code

**CBDLA** -- --

Port Size BSP	Spring	Spring		
		Pressure Range (bar)	Increase (bar/turn)	Standard Setting (bar) Q=5 lpm
<b>04</b>	3/4			
<b>20</b>		50 - 210	35	150
<b>30</b>		100 - 350	60	200

**Ordering Code Example:** CBDLA0430 - 3/4" BSP Ports - 100-350 bar setting range.