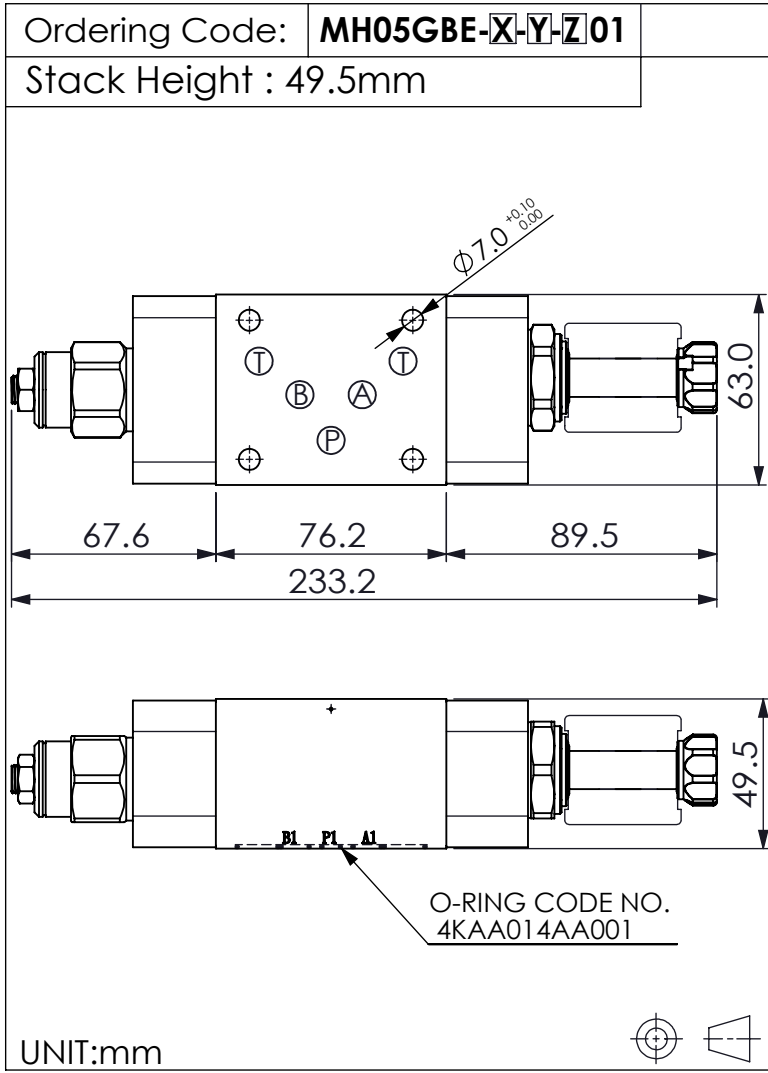
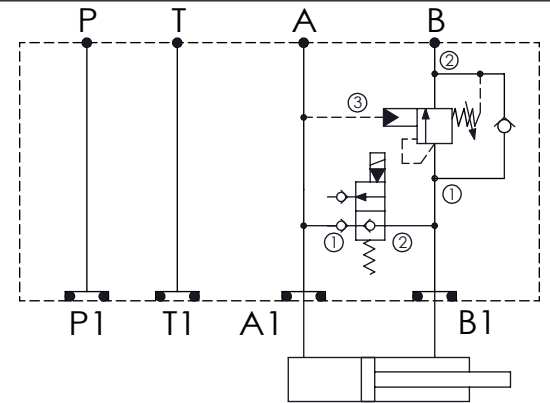


ISO 05 SANDWICH MANIFOLD



B to A , Regenerative



TECHNICAL DATA

Aluminum Body Pressure Rating: 210 bar

Ductile Iron

Body Pressure Rating: 350 bar

Rated flow: 80 l/min

Cartridge Valve:

Refer to EP17E-X-Y-Z

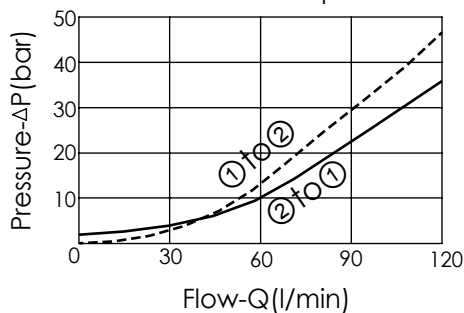
CB2A-X-Y-Z

* Refer to Winner Cartridge Valves Catalog.

Aluminum	0.84 kg(WITHOUT VALVES) 1.36 kg(INCLUDE VALVES ,WITHOUT COIL)
Ductile Iron	2.44 kg(WITHOUT VALVES) 2.96 kg(INCLUDE VALVES ,WITHOUT COIL)

* If you need the special specification. Please contact us.

Free Flow or Piloted Open (CB2A33HL)
Pressure Drop



X SELECTION FOR SOLENOID VALVES (REFER TO EP17E-X-Y-Z)

17E2	CAVITY ONLY(WITHOUT VALVE)
EP11	EP17E2A11N05 , 70LPM,350bar (NORMALLY CLOSED,WITHOUT COIL)
EP11M	EP17E2A11M05 , 70LPM,350bar(NORMALLY CLOSED WITH KNOB STYLE MANUAL OVERRIDE,WITHOUT COIL)

COIL MUST BE ORDERED SEPARATELY (REFER TO EC-04W-X-Y-Z)

Y

SELECTION FOR COUNTERBALANCE VALVE

2A3	CAVITY ONLY(WITHOUT VALVE)
CB3H	CB2A33HL (120LPM , 70-280bar)

Z

BODY MATERIAL

A	HIGH-STRENGTH ALUMINUM
S	DUCTILE IRON