



0606 DIFFUSED

0606 Diffused has an extremely wide light distribution, both horizontally and vertically and is used for very short distances only, giving no reflections. This light can be used for a variety of applications in mining and construction and is suitable for engine compartments, illumination of hydraulics, axles, couplings amongst other applications.

SUGGESTED APPLICATIONS

The 0606 Diffused is highly adaptable and can be used across numerous applications worldwide, including:



MINING

TRUCK & TRAILER



TECHNICAL DATA

- Housing Material:** Cast Aluminium
- Mounting Options:** Hanging
Standing
- Lens Material:** Polycarbonate
- Temperature range:** -40 to +75 °C
- Connector:** Deutsch (DT04-2P) built in
- Weight:** 280 g / 0.62 lb
- Light Patterns:** Diffused



Overheating Protection



Over-voltage Protection



Polarity Protection

TEST STANDARDS



Salt Spray ASTM B117 500 h



Vibration 5-2000 Hz 3 Axis, 8 Grms



Shock Tested 50 G 11 ms



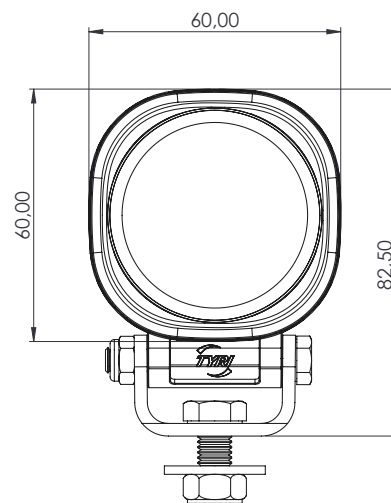
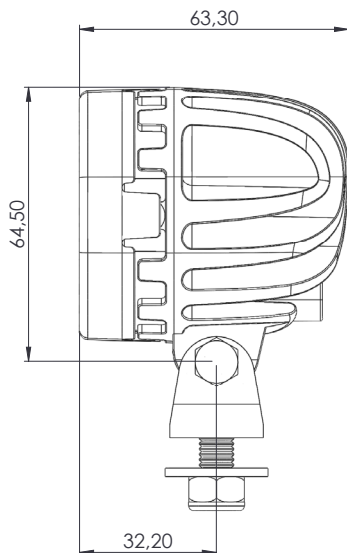
IP69K



EN55025 / CISPR 25 Class 4
ISO 11452-2 / ISO 11452-4
ISO 16750-2 / ISO 10605
ISO 7637-2

Consult www.tyrilights.com for additional lens & mounting options

TYRI's testing standards can be found at: www.tyrilights.com



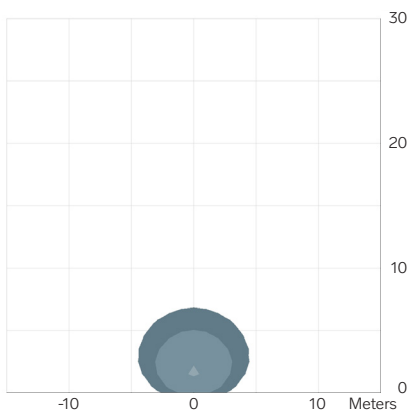


0606 DIFFUSED

LIGHT OUTPUT	VOLTAGE		AMP DRAW		POWER	COLOUR TEMPERATURE	EMC	ECE
	Machine	Operating Range	12 V	24 V				
Effective Lumen	Machine	Operating Range	12 V	24 V	Watts	K	EN55025 / CISPR25	ECE Rating
500 lm	12-48 V	9-60 V	1.2 A	0.6 A	13 W	5700	4	R10
500 lm	12 V	9-16 V	1.1 A		13 W	5700	5	
500 lm	24 V	18-32 V		0.55 A	13 W	5700	5	

TYPICAL LIGHT PATTERNS

Example for 0606 Diffused / 500 lm | For further light patterns visit www.tyrilights.com



0606 Diffused / 500 lm

Extreme Wide 100°+

3.0 m / -15°

Symmetric

