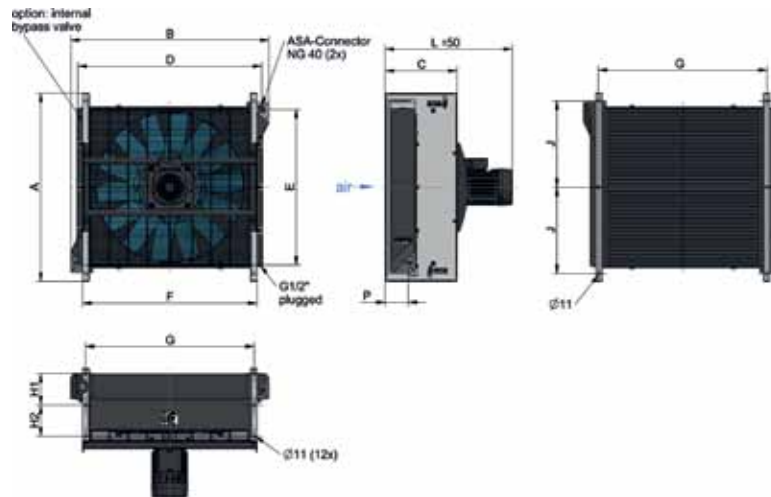


# ASA Series Oil / Air Cooler

## 230/400 50Hz AC



### Dimensions

order number	description	A	B	C	D	E	F	G	H1	H2	J	L	P	weight
		[mm]	[mm]	[mm]	[mm]	[mm]	[mm]	[mm]	[mm]	[mm]	[mm]	[mm]	[mm]	[kg]
ASA0177AA64	ASA 0177 0,18kW AC	530	582	260	534	416	462	442	120	90	490	486	89	39,3
ASA0177AA44	ASA 0177 0,25kW AC	530	582	260	534	416	462	442	120	90	490	486	89	38,7
ASA0177AA25	ASA 0177 0,55kW AC	530	582	260	534	416	462	442	120	90	490	486	89	38,5
ASA0257AA66	ASA 0257 0,37kW AC	635	682	270	634	501	562	542	110	110	280	520	93	53,2
ASA0257AA47	ASA 0257 0,75kW AC	635	682	270	634	501	562	542	110	110	280	520	93	55
ASA0367AA66	ASA 0367 0,37kW AC	720	762	280	715	596	676	656	120	120	330	533	92	63,2
ASA0367AA47L	ASA 0367 0,75kW AC*	720	762	280	715	596	676	656	120	120	330	533	92	63,2
ASA0367AA47	ASA 0367 0,75kW AC	720	762	280	715	596	676	656	120	120	330	533	92	64,9
ASA0467AA66	ASA 0467 0,37kW AC	785	837	290	789	668	758	738	125	125	375	550	94	79,9
ASA0467AA47	ASA 0467 0,75kW AC	785	837	290	789	668	758	738	125	125	375	550	94	81,6
ASA0467AA4A	ASA 0467 2,20kW AC	785	837	290	789	668	758	738	125	125	375	633	94	105,3
ASA0567AA66	ASA 0567 0,37kW AC	860	920	290	865	746	826	806	125	125	400	543	92	81
ASA0567AA47	ASA 0567 0,75kW AC	860	920	290	865	746	826	806	125	125	400	543	92	82,7
ASA0567AA4A	ASA 0567 2,20kW AC	860	920	290	865	746	826	806	125	125	400	626	92	112,4
ASA0727AA6A	ASA 0727 1,50kW AC	960	1012	360	964	852	936	912	160	160	460	640	95	134,6
ASA0727AA4A	ASA 0727 2,20kW AC	960	1012	360	964	852	936	912	160	160	460	640	95	131,5
ASA0927AA6A	ASA 0927 1,50kW AC	1100	1170	320	1115	912	1058	1031	130	130	522,5	664	87	156,4
ASA0927AA6E	ASA 0927 4,00kW AC	1100	1170	320	1115	912	1058	1031	130	130	522,5	723	87	196

\*... low noise version

### Technical Data

order number	description	motor power	current	motor size	protection	rotation	air flow	noise level	optional internal bypass (2 bar)
		[kW]	[A]			[rpm]	[kg/s]	[db(A)]	cooler order number
ASA0177AA64	ASA 0177 0,18kW AC	0,18	0,80	71	IP 55	920	0,55	62	ASA0177AA64BP
ASA0177AA44	ASA 0177 0,25kW AC	0,25	0,73	71	IP 55	1395	0,86	74	ASA0177AA44BP
ASA0177AA25	ASA 0177 0,55kW AC	0,55	1,32	71	IP 55	2775	1,06	91	ASA0177AA25BP
ASA0257AA66	ASA 0257 0,37kW AC	0,37	1,17	80	IP 55	935	0,75	68	ASA0257AA66BP
ASA0257AA47	ASA 0257 0,75kW AC	0,75	1,70	80	IP 55	1445	1,14	79	ASA0257AA47BP
ASA0367AA66	ASA 0367 0,37kW AC	0,37	1,17	80	IP 55	935	0,94	73	ASA0367AA66BP
ASA0367AA47L	ASA 0367 0,75kW AC*	0,75	1,70	80	IP 55	1445	1,20	79	ASA0367AA47BPL
ASA0367AA47	ASA 0367 0,75kW AC	0,75	1,70	80	IP 55	1445	1,47	83	ASA0367AA47BP
ASA0467AA66	ASA 0467 0,37kW AC	0,37	1,17	80	IP 55	935	1,12	74	ASA0467AA66BP
ASA0467AA47	ASA 0467 0,75kW AC	0,75	1,70	80	IP 55	1445	1,77	84	ASA0467AA47BP
ASA0467AA4A	ASA 0467 2,20kW AC	2,20	4,80	100	IP 55	1455	2,20	88	ASA0467AA4ABP
ASA0567AA66	ASA 0567 0,37kW AC	0,37	1,17	80	IP 55	935	1,21	74	ASA0567AA66BP
ASA0567AA47	ASA 0567 0,75kW AC	0,75	1,70	80	IP 55	1445	1,89	81	ASA0567AA47BP
ASA0567AA4A	ASA 0567 2,20kW AC	2,20	4,80	100	IP 55	1455	2,80	88	ASA0567AA4ABP
ASA0727AA6A	ASA 0727 1,50kW AC	1,50	3,44	100	IP 55	955	4,80	82	ASA0727AA6ABP
ASA0727AA4A	ASA 0727 2,20kW AC	2,20	4,80	100	IP 55	1455	5,60	92	ASA0727AA4ABP
ASA0927AA6A	ASA 0927 1,50kW AC	1,50	3,44	100	IP 55	955	5,46	86	not available
ASA0927AA6E	ASA 0927 4,00kW AC	4,00	9,70	132	IP 55	965	7,85	89	not available

This data sheet and the corresponding scale drawings are to be used as a general guideline and technical overview of our products. Please contact us if more exact information is needed. As we are constantly improving our products, their characteristics, dimensions and weights may also change, although we do our best to incorporate these changes continually. asa assumes no liability for any information therein, any errors, omissions, misprints, nor any direct or indirect damages, losses or costs resulting therefrom. Any cooling performances and general technical values indicated in this catalogue are measured at a test bench according to asa testing procedures or calculated, based on such tests. Due to different conditions in testing and application environments the performance may also vary by +/- 15%. Because there is no standardized testing procedure, tests used by other manufacturers could have different results. Therefore we recommend all products to be checked under the system operating conditions. This is also true for vibrations and mechanical stress as well as for pressure peaks and thermal stress and any other relevant factors. General tolerances according to DIN ISO 2768-v. General tolerances for casted parts according to EN ISO 8062-3 (DCTG 10). Tolerances for rubber parts are according to ISO 3302-1 (class M4-F+C). The tolerances of welding seams are defined by quality group D according to EN ISO 10042, if it is not specified on the actual scale drawing or data sheet. In addition to that we point out that any data sheet and corresponding scale drawing is no substitution for the manual.

# ASA Series Oil / Air Cooler

## 230/400 50Hz AC



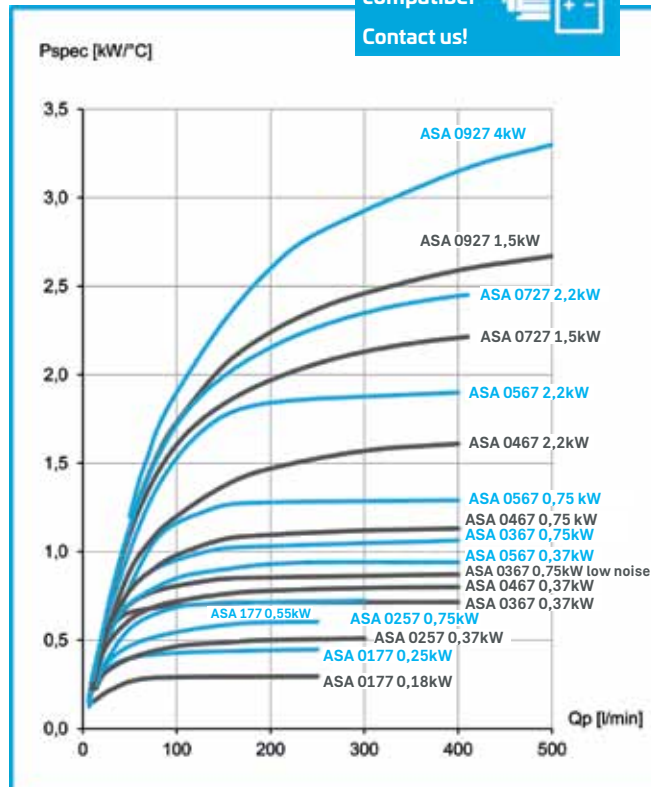
### Performance

specific cooling performance

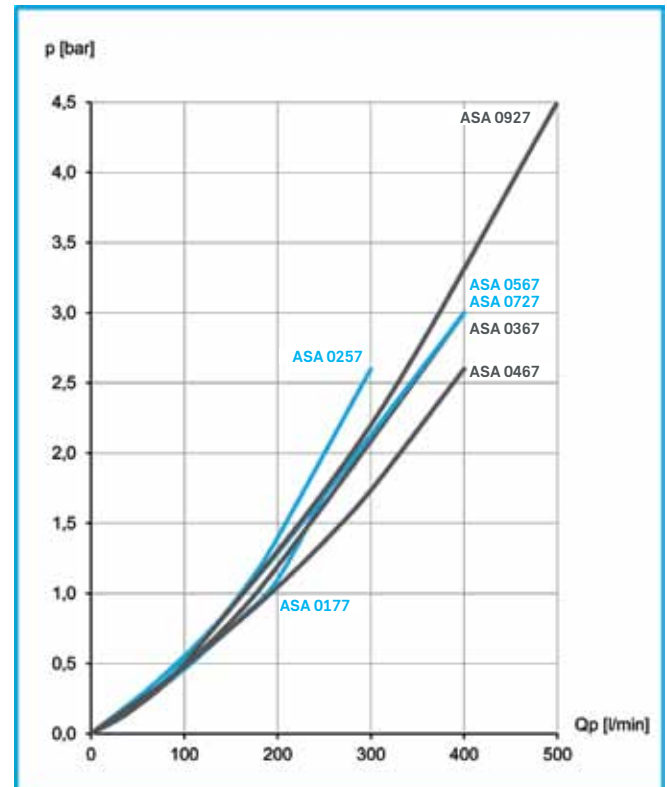
all products  
water/glycol  
compatibel



Contact us!



pressure drop at 30cSt



### Radiator Style C

material:	aluminum
working temperature range:	-20°C to +80°C (oil temperature)*
air fin shape:	wavy
working pressure:	26 bar (static)

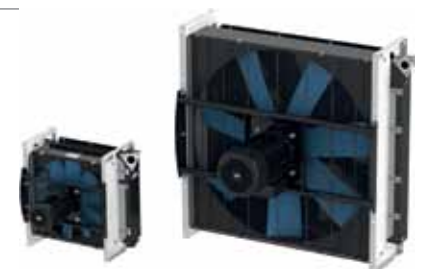
\*...the indicated temperature is the maximum inlet temperature for the cooler radiator. Depending on the sealings in use, the application needs appropriate checking.

### Options

motor data	alternative voltages, frequencies, IP classes, etc on request
temperature switch	ILLZTH4765K, ILLZTH6065K (page 39)
tread plate & radiator guard	see page 35
internal bypass	alternative bypass settings (0,5bar / 3,5bar)
Intermediate plate NG40	ILLZASA40-40G12 (page 33)

### Installation System (see more information on page 33)

connection BSP 1 ¼"	ILLZASA32G32 (2 pieces per cooler required)
connection BSP 1 ½"	ILLZASA40G40 (2 pieces per cooler required)



This data sheet and the corresponding scale drawings are to be used as a general guideline and technical overview of our products. Please contact us if more exact information is needed. As we are constantly improving our products, their characteristics, dimensions and weights may also change, although we do our best to incorporate these changes continually. asa assumes no liability for any information therein, any errors, omissions, misprints, nor any direct or indirect damages, losses or costs resulting therefrom. Any cooling performances and general technical values indicated in this catalogue are measured at a test bench according to asa testing procedures or calculated, based on such tests. Due to different conditions in testing and application environments the performance may also vary by +/- 15%. Because there is no standardized testing procedure, tests used by other manufacturers could have different results. Therefore we recommend all products to be checked under the system operating conditions. This is also true for vibrations and mechanical stress as well as for pressure peaks and thermal stress and any other relevant factors. General tolerances according to DIN ISO 2768-v. General tolerances for casted parts according to EN ISO 8062-3 (DCTG 10). Tolerances for rubber parts are according to ISO 3302-1 (class M4-F+C). The tolerances of welding seams are defined by quality group D according to EN ISO 10042, if it is not specified on the actual scale drawing or data sheet. In addition to that we point out that any data sheet and corresponding scale drawing is no substitution for the manual.