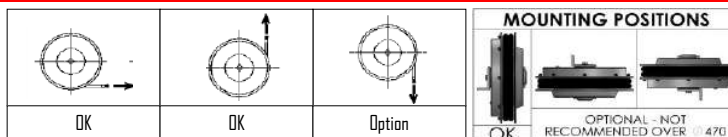


**AVVOLGITUBO GEMELLATO A 2 VIE IDRAULICHE "FLANGIA"**  
**ENROULEUR HYDRAULIQUE À 2 TUYAUX "BRIDE"**

**TWIN HOSE REEL "FLANGE"**  
**DOPPELSCHLAUCHROLLE "FLANSCH"**

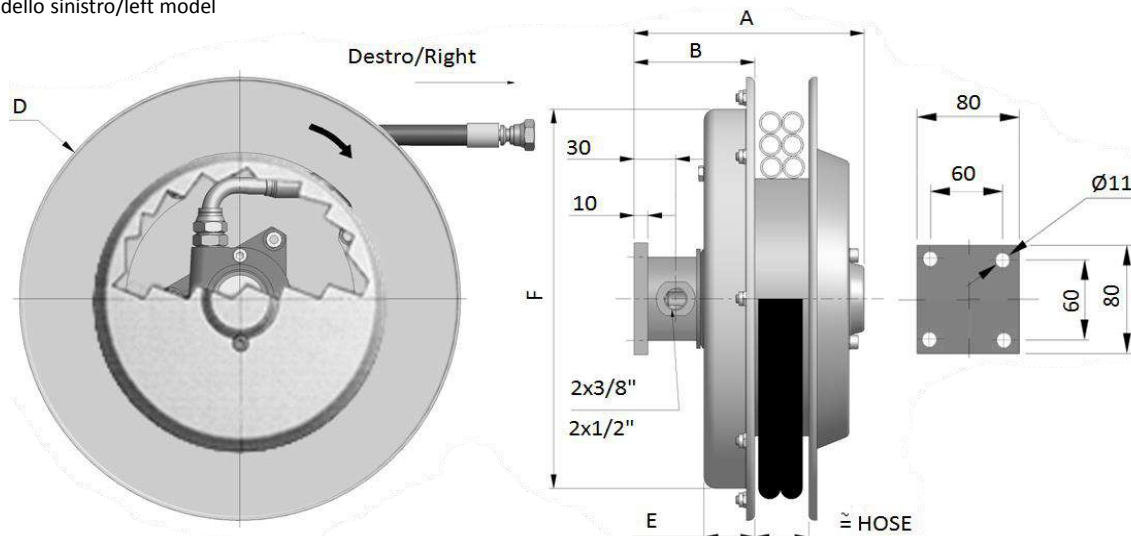
**AG/F**

Max flow rate: 40 l/min  
 Working pressure: standard 300 bar  
 optional 400 bar  
 Max hose speed: 30 m/min  
 Temperature range: -20/+80°C  
 Optional temperature range: -40/+80°C



AGD400=modello destro/right model  
 AGS400=modello sinistro/left model

**Corsa verticale verso il basso opzionale**  
**Vertical downwards is optional**



Disegno tecnico disponibile a richiesta PDF STEP  
 Technical drawing available on request

Modello destro Right model	A	B	D	E	F	Senza tubo Without hose		Con tubo/With hose							
						Ø	Lungh. totale Total length	Lungh. Utile Usable length	R7	R8	B1	B2	T2		
									XX=R7	XX=R8	XX=B1	XX=B2	XX=T2		
AGD270.06.XX/F	166	87	275	30	270	10		1/4"	4.0	3.7					
AGD270.08.XX/F								5/16"	3.2	2.9					
AGD270.10.XX/F								3/8"	2.8	2.5					
AGD296.06.XX/F	166	87	295	35	291	13		1/4"	3.0	2.7					
AGD296.08.XX/F								5/16"	2.3	2.0					
AGD296.10.XX/F								3/8"	2.3	2.0					
AGD296.12.XX/F	212							1/2"	1.5	1.2					
AGD321.06.XX/F	166	87	325	37	272	14		1/4"	4.0	3.7					
AGD321.08.XX/F								5/16"	3.2	2.9					
AGD321.10.XX/F								3/8"	3.3	3.0					
AGD321.12.XX/F	212							1/2"	2.5	2.2					
AGD341.06.XX/F	166	87	340	37	272	14		1/4"	5.0	4.7					
AGD341.08.XX/F								5/16"	4.2	3.9					
AGD341.10.XX/F								3/8"	4.0	3.7					
AGD341.12.XX/F	212							1/2"	2.5	2.2					
AGD370.06.XX/F	166	87	370	37	272	14,5		1/4"	6.0	5.7					
AGD370.08.XX/F								5/16"	5.3	5.0					
AGD370.10.XX/F								3/8"	4.5	4.2					
AGD370.12.XX/F	212							1/2"	3.5	3.2					
AGD400.06.XX/F	166	87	400	37	322	15		1/4"	7.3	7.0					
AGD400.08.XX/F								5/16"	6.5	6.2					
AGD400.10.XX/F								3/8"	5.6	5.3					
AGD400.12.XX/F	212							1/2"	4.5	4.2					
AGD420.06.XX/F	176	97	420	47	322	19		1/4"	8.6	8.1					
AGD420.08.XX/F								5/16"	8.0	7.5					
AGD420.10.XX/F								3/8"	6.7	6.2					
AGD420.12.XX/F	212							1/2"	4.7	4.2					

**AVVOLGITUBO GEMELLATO A 2 VIE IDRAULICHE "FLANGIA"**

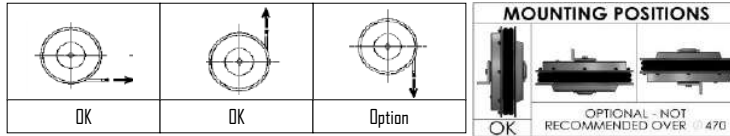
**TWIN HOSE REEL "FLANGE"**

**ENROULEUR HYDRAULIQUE À 2 TUYAUX "BRIDE"**

**DOPPELSCHLAUCHROLLE "FLANSCH"**

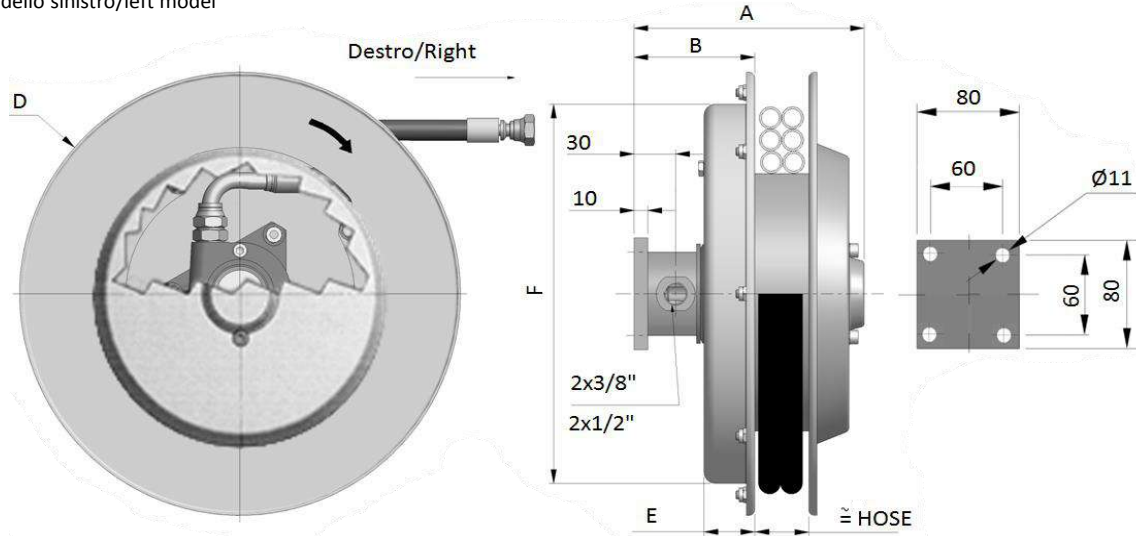
**AG/F**

Max flow rate: 40 l/min  
 Working pressure: standard 300 bar  
 optional 400 bar  
 Max hose speed: 30 m/min  
 Temperature range: -20/+80°C  
 Optional temperature range: -40/+80°C



AGD400=modello destro/right model  
 AGS400=modello sinistro/left model

**Corsa verticale verso il basso opzionale**  
**Vertical downwards is optional**



Disegno tecnico disponibile a richiesta PDF STEP  
 Technical drawing available on request

Modello destro Right model	A	B	D	E	F	Senza tubo Without hose		Con tubo/With hose							
						kg	Ø	Lungh. totale	Lungh. Utile	R7	R8	B1	B2	T2	
								Total length	Usable length	XX=R7	XX=R8	XX=B1	XX=B2	XX=T2	
mm						m									
AGD470.06.XX/F	176	97	478	47	322	21		1/4"	11.5	11.0					
AGD470.08.XX/F								5/16"	10.0	9.5					
AGD470.10.XX/F								3/8"	9.5	9.0					
AGD470.12.XX/F	212							1/2"	7.5	7.0					
AGD520.06.XX/F	176	97	520	47	322	23		1/4"	14.5	14.0					
AGD520.08.XX/F								5/16"	12.5	12.0					
AGD520.10.XX/F								3/8"	11.2	10.7					
AGD520.12.XX/F	212							1/2"	9.0	8.5					
AGD570.06.XX/F	176	97	570	47	322	28		1/4"	17.5	17.0					
AGD570.08.XX/F								5/16"	15.5	15.0					
AGD570.10.XX/F								3/8"	13.5	13.0					
AGD570.12.XX/F	212				422			1/2"	10.7	10.2					
AGD600.06.XX/F	176	107	620	47	422	34		1/4"	21.0	20.5					
AGD600.08.XX/F								5/16"	17.0	16.5					
AGD600.10.XX/F								3/8"	16.0	15.5					
AGD600.12.XX/F	212							1/2"	12.5	12.0					
AGD650.06.XX/F	176	107	650	47	422	37		1/4"	22.5	22.0					
AGD650.08.XX/F								5/16"	19.5	19.0					
AGD650.10.XX/F								3/8"	17.5	17.0					
AGD650.12.XX/F	212							1/2"	14.5	14.0					
AGD700.06.XX/F	206	127	720	57	532	40		1/4"	27.0	26.5					
AGD700.08.XX/F	5/16"							22.0	21.5						
AGD700.10.XX/F	3/8"							20.0	19.5						
AGD700.12.XX/F	212	107						1/2"	16.0	15.5					
AGD800.08.XX/F	186	107	820	57	532	47		5/16"	30.0	29.0					
AGD800.10.XX/F								3/8"	26.0	25.0					
AGD800.12.XX/F								227							1/2"