

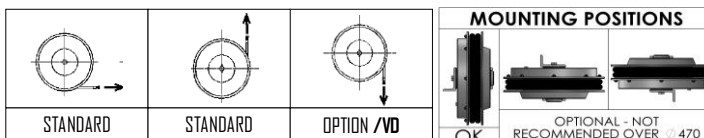
**AVVOLGITUBO GEMELLATO A 2 VIE IDRAULICHE
ENROULEUR HYDRAULIQUE À 2 TUYAUX**

**TWIN HOSE REEL
DOPPELSCHLAUCHROLLE**

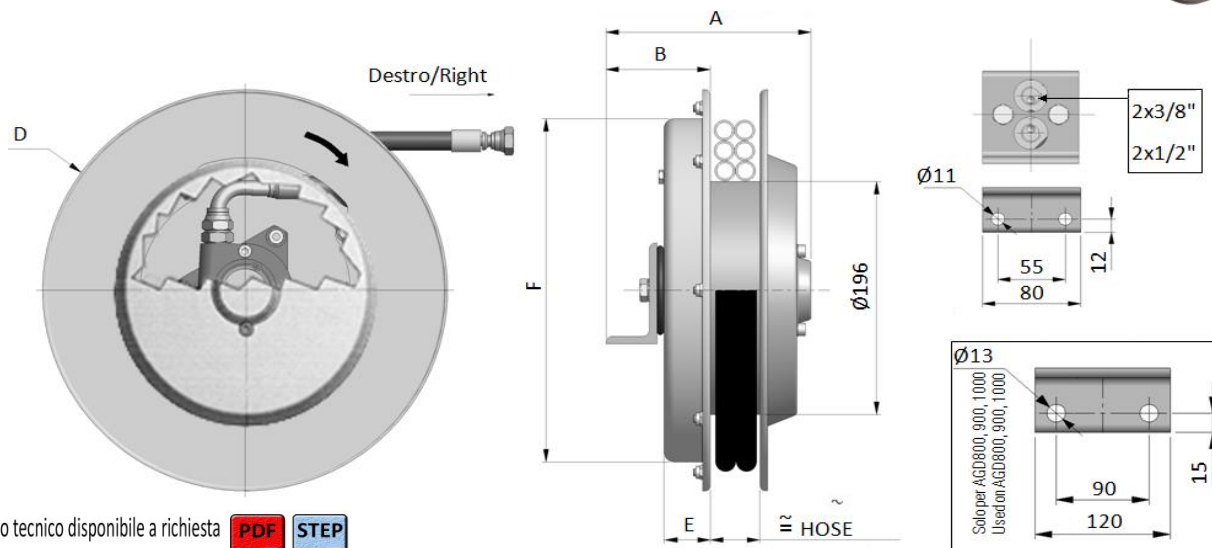
AG - Standard

Max flow rate: 40 l/min
 Working pressure: standard 300 bar
 optional 400 bar
 Max hose speed: 30 m/min
 Temperature range: -20/+80°C
 Optional temperature range: -40/+80°C

AGD400=modello destro/right model
 AGS400=modello sinistro/left model



**Corsa verticale verso il basso opzionale = CODICE /VD
 Vertical downwards is optional = CODE /VD**



Disegno tecnico disponibile a richiesta
 Technical drawing available on request



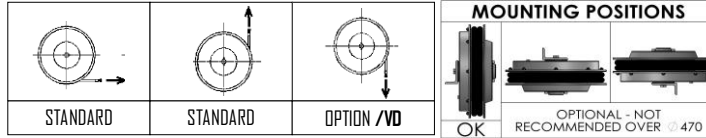
Modello destro Right model	A	B	D	E	F	Senza tubo Without hose	Tubo/Hose			Con tubo - with hose				
							Ø	Lungh.totale	Lungh.utile	R7	R8	B1	B2	T2
								Total length	Usable length	XX=R7	XX=R8	XX=B1	XX=B2	XX=T2
mm						kg	m	m						
AGD296.06.XX	161	75	295	35	291	13	1/4"	3.0	2.7					
AGD296.08.XX							5/16"	2.3	2.0					
AGD296.10.XX							3/8"	2.3	2.0					
AGD296.12.XX							1/2"	1.5	1.2					
AGD321.06.XX	161	82	325	37	272	14	1/4"	4.0	3.7					
AGD321.08.XX							5/16"	3.2	2.9					
AGD321.10.XX							3/8"	3.3	3.0					
AGD321.12.XX							1/2"	2.5	2.2					
AGD341.06.XX	161	82	340	37	272	14	1/4"	5.0	4.7					
AGD341.08.XX							5/16"	4.2	3.9					
AGD341.10.XX							3/8"	4.0	3.7					
AGD341.12.XX							1/2"	2.5	2.2					
AGD370.06.XX	161	82	370	37	272	14,5	1/4"	6.0	5.7					
AGD370.08.XX							5/16"	5.3	5.0					
AGD370.10.XX							3/8"	4.5	4.2					
AGD370.12.XX							1/2"	3.5	3.2					
AGD400.06.XX	161	82	400	47	322	15	1/4"	7.3	7.0					
AGD400.08.XX							5/16"	6.5	6.2					
AGD400.10.XX							3/8"	5.6	5.3					
AGD400.12.XX							1/2"	4.5	4.2					
AGD420.06.XX	161	82	420	47	322	19	1/4"	8.6	8.1					
AGD420.08.XX							5/16"	8.0	7.5					
AGD420.10.XX							3/8"	6.7	6.2					
AGD420.12.XX							1/2"	4.7	4.2					
AGD470.06.XX	161	82	478	47	322	21	1/4"	11.5	11.0					
AGD470.08.XX							5/16"	10.0	9.5					
AGD470.10.XX							3/8"	9.5	9.0					
AGD470.12.XX							1/2"	7.5	7.0					

**AVVOLGITUBO GEMELLATO A 2 VIE IDRAULICHE
ENROULEUR HYDRAULIQUE À 2 TUYAUX**

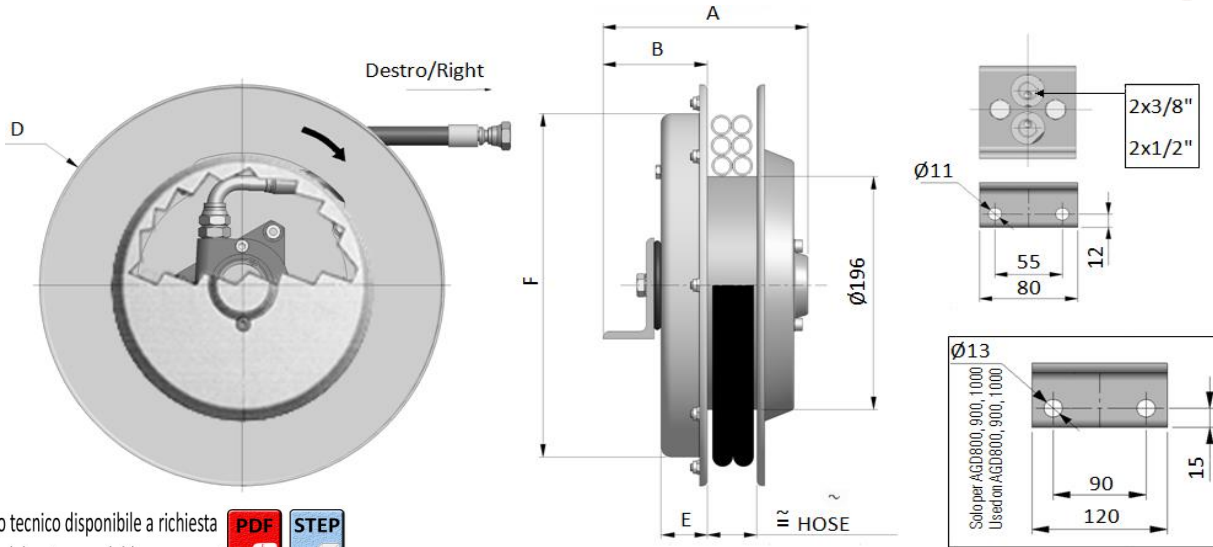
**TWIN HOSE REEL
DOPPELSCHLAUCHROLLE**

AG - Standard

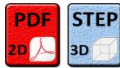
Max flow rate: 40 l/min
 Working pressure: standard 300 bar
 optional 400 bar
 Max hose speed: 30 m/min
 Temperature range: -20/+80°C
 Optional temperature range: -40/+80°C



**Corsa verticale verso il basso opzionale = CODICE /VD
 Vertical downwards is optional = CODE /VD**



Disegno tecnico disponibile a richiesta
 Technical drawing available on request



Modello destro Right model	A	B	D	E	F	Senza tubo Without hose		Tubo/Hose			Con tubo - with hose				
						kg	Ø	Lungh.totale	Lungh.utile	R7	R8	B1	B2	T2	
								Total length	Usable length	XX=R7	XX=R8	XX=B1	XX=B2	XX=T2	
mm						m									
AGD520.06.XX	171	92	520	47	422	23	1/4"	14.5	14.0						
AGD520.08.XX							5/16"	12.5	12.0						
AGD520.10.XX							3/8"	11.2	10.7						
AGD520.12.XX							1/2"	9.0	8.5						
AGD570.06.XX	171	92	570	47	422	28	1/4"	17.5	17.0						
AGD570.08.XX							5/16"	15.5	15.0						
AGD570.10.XX							3/8"	13.5	13.0						
AGD570.12.XX							1/2"	10.7	10.2						
AGD600.06.XX	171	92	620	47	422	34	1/4"	21.0	20.5						
AGD600.08.XX							5/16"	17.0	16.5						
AGD600.10.XX							3/8"	16.0	15.5						
AGD600.12.XX							1/2"	12.5	12.0						
AGD650.06.XX	181	102	650	57	422	37	1/4"	22.5	22.0						
AGD650.08.XX							5/16"	19.5	19.0						
AGD650.10.XX							3/8"	17.5	17.0						
AGD650.12.XX							1/2"	14.5	14.0						
AGD700.06.XX	181	102	720	57	532	40	1/4"	27.0	26.5						
AGD700.08.XX							5/16"	22.0	21.5						
AGD700.10.XX							3/8"	20.0	19.5						
AGD700.12.XX							1/2"	16.0	15.5						
AGD800.08.XX	226	122	820	67	532	47	5/16"	30.0	29.0						
AGD800.10.XX							3/8"	26.0	25.0						
AGD800.12.XX							1/2"	21.0	20.0						
AGD900.08.XX	226	122	920	67	532	60	5/16"	38.0	37.0						
AGD900.10.XX							3/8"	34.0	33.0						
AGD900.12.XX							1/2"	28.0	27.0						
AGD1000.10.XX	232	126	1030	67	687	75	3/8"	36.0	35.0						
AGD1000.12.XX							1/2"	35.0	34.0						